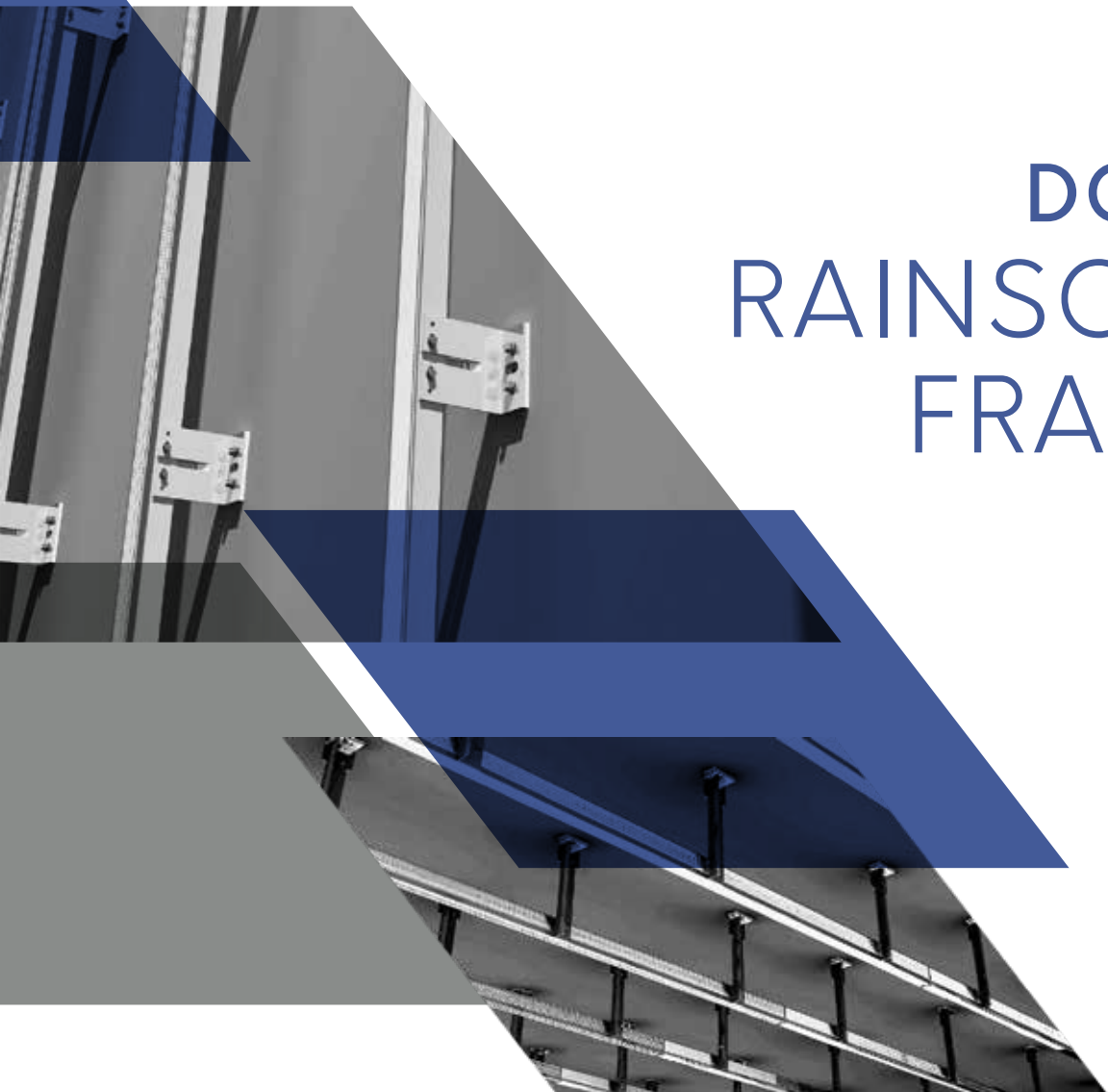


---

# DOWNER RAINSCREEN FRAMING




**DOWNER**<sup>®</sup>  
ORIGINAL HELPING HAND SYSTEM



## CONTENTS

<b>Overview of Downer framing systems</b>	04
<b>Why Choose Downer?</b>	08
<b>Downer DCS021</b> Omega & ZED	10
<b>Downer DCS031</b> Helping Hand System	13
<b>Downer DCS032</b> Horizontal System	19
<b>Downer DCS033</b> Hook on System	23
<b>Downer DCS034</b> Soffit System	27
<b>Downer DCS041</b> Floor to Floor System	30
<b>Downer DCS004</b> Mechanical Secret Fix	34
<b>Downer Designer</b>	38



## RAINSCREEN FRAMING SOLUTIONS YOU CAN TRUST. CAREFULLY DESIGNED FOR STRENGTH AND SUPPORT.

The ever-evolving face of architecture demands a supporting cast of rainscreen framing systems that can deliver on energy, building protection and budgetary requirements, without inhibiting design.

Each of our strong and expertly manufactured framing systems is highly durable and able to support all types of man-made or natural cladding panels. Our experience in developing, manufacturing and supplying rainscreen framing systems has earned the respect of leading professionals within the UK building industry.

Whether you're a specifier, designer or contractor, we'll support you throughout the lifecycle of your project with dependable technical expertise so that you can achieve maximum results from your building's framing system.

As well as the need for high quality products, we understand the need for cost efficiency; this is why all of our framing solutions combine technical performance and practicality with easy installation and no maintenance.

---

# FRAMING SYSTEMS AND PRODUCTS

---

## DCS021 OMEGA AND ZED SYSTEM

Aluminium framing system providing a cost-effective alternative to timber battens especially when there is a requirement for a fire resistant framework.



---

## DCS031 HELPING HAND SYSTEM

This aluminium subframe system offers rapid installation and reduced costs. Incorporating HELPING HAND® adjustable wall brackets. Ideal for all heights of buildings and substrates.

---

## DCS032 HORIZONTAL SUPPORT

Dependable horizontal support suited to vertically laid panels. Combined with our original DCS031 HELPING HAND® bracket and extruded aluminium L & T profiles for a highly adjustable system that allows for thermal/structural movement and variation in cavity depth.





---

### DCS033 HOOK ON SYSTEM

A highly versatile and easy to install framing system, carefully designed to provide support to metal hook-on cassette rainscreen panels.

---

### DCS034 SOFFIT SYSTEM

A dependable, robust soffit framing system, designed to provide essential support to cladding panels on soffit applications.



---

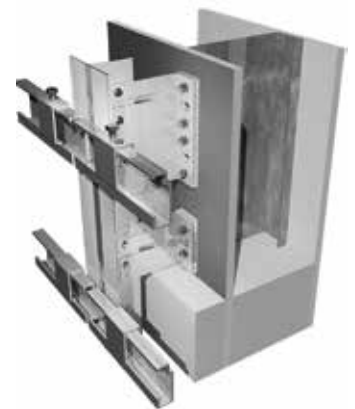
### DCS004 MECHANICAL SECRET FIX SYSTEM

Ideal for use where specifications dictate a smooth finish, unobstructed by visible fixings.

---

### DCS041 FLOOR TO FLOOR SYSTEM

Ideal for multi-storey buildings, this high strength, adjustable and enhanced high wind resistance system is capable of spanning storey heights without the need to introduce intermediate fixings.



---

TRY DOWNER DESIGNER TODAY

**DOWNER**

APPROX

**80%**

RECYCLED  
ALUMINIUM



**In house static and thermal calculations**

We'll help you calculate the heat loss and thermal resistance of your façade build-up.

**Easy to install**



**Low weight.  
High strength.**



Made in Britain members  
Strong lead times.  
Low carbon footprint.

Our systems are manufactured here in our UK factory.

One of the most environmentally friendly metals on the planet.



## Engineered to perform

Extruded 6000 series aluminium (Grade 6005A and 6063).



CORROSION RESISTANT

### Downer systems deliver on all fronts

energy efficiency, versatility, strength, durability, protection and more.



RIGOROUS **CWCT** TESTING

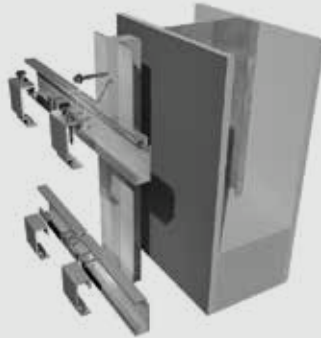


### BBA approved

BBA approved for complete assurance, our systems have been tested to the extreme.

### Value engineered

Value engineered, project specific solutions – combined with a strong portfolio of rainscreen panels.



### Custom fixings

Fixings specified for each system and stocked.

### Perfect finishing

Anodising and powder coating.



HIGHLY SUSTAINABLE

### UK stocks

Extensive UK stocks of standard items available for despatch 1-2 days.

### Cut to perfection

Cutting service available.

**100%**  
INFINITELY RECYCLABLE

**95%**  
LESS ENERGY TO RECYCLE



Find out more here:  
[downerframing.com/about-downer](https://downerframing.com/about-downer)

TRY DOWNER DESIGNER TODAY

# WHY CHOOSE DOWNER?

At Downer Framing we're dedicated to making life easier for our customers, and are committed to nurturing successful and prosperous relationships.

## Here's how.



### Downer Designer

By investing in state-of-the-art software, we've taken the headache out of obtaining your project calculations. Simply head onto your own personal portal, use our free, easy-to-use online tool and generate your optimal framing design. All of which you will then receive in a handy project pack. Take a look.

### Dedicated technical support

We have an extensive technical team at Downer, to support you throughout your project. Be sure to involve them early so that you can enjoy the full benefit of their expertise.

### NBS Source

Did you know you can now specify Downer directly on NBS? Find out everything you need to know, see our models and specify direct.

### Comprehensive framing solutions

We've recently bolstered our Downer Framing offer bringing you three new systems.

### Tried, tested & certified

You can have confidence that our products undergo the most intensive testing. Get in touch for details.

### Dependable quality management systems

Cost-effective, high-performance products, with a strong focus on safety and aesthetics. We're accredited to ISO9001:2015 Quality Management Systems, with independent auditing every 6 months.

### Environmentally aware and conscious

Manufactured from approx 80% recycled aluminium we're extremely conscious of our environmental responsibilities at Downer. ISO14001:2015 accredited, we take care that our raw materials are sourced sustainably wherever possible and keep our waste to a minimum.

### Ongoing training, workshops & CPD's

Our people are our greatest asset. We're committed to their development, so that as a whole we're always up to date with the latest industry standards.

Whether it's in-house training, a factory tour or a CPD, our team will ensure you leave with all the crucial information you need when considering, specifying and installing our products and systems.



GET IN TOUCH  
[info@downerframing.com](mailto:info@downerframing.com)

---

“THIS PROJECT REQUIRED A FULLY ENGINEERED FRAMING SYSTEM TO SUPPORT THE 3MM THICK PPC ALUMINIUM IN A SERIES OF TRIANGULATED SHAPES AND ALTHOUGH THERE WERE SOME CHALLENGES, WE OFFERED EXACTLY WHAT WAS NEEDED. WE PRODUCED PROJECT SPECIFIC CALCULATIONS FOR BESPOKE VERTICAL ZEDS AND TOP HAT SUPPORTS AS WELL AS FOR OUR DCS031 HELPING HAND SYSTEM.”

TECHNICAL MANAGER – JUAN BARATO



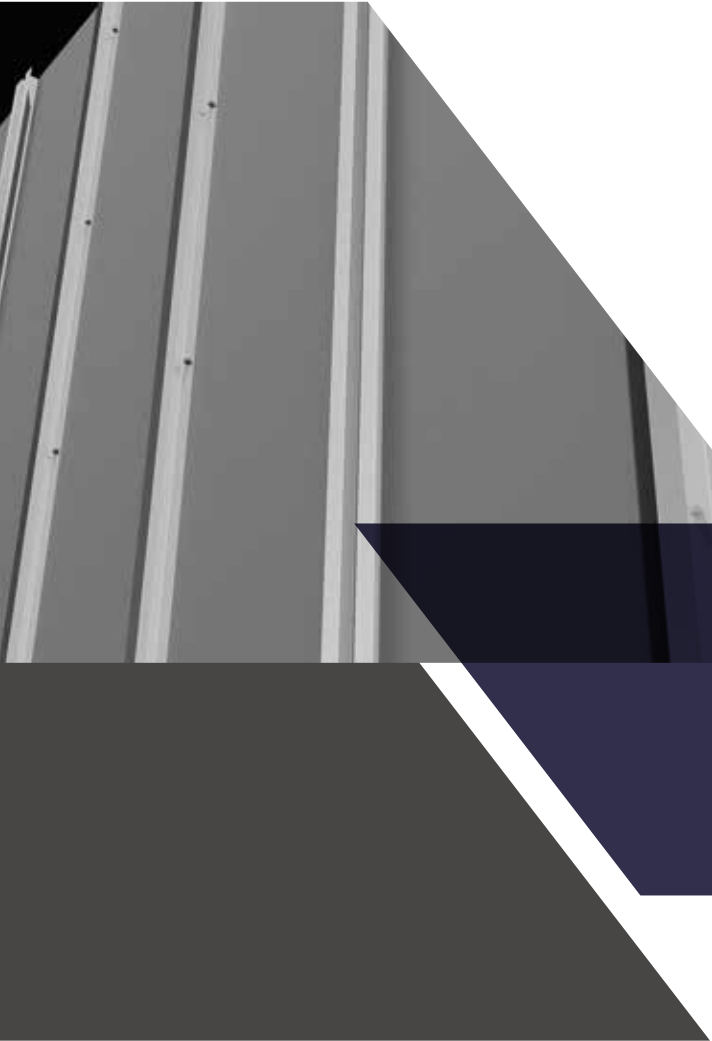
Image credit - John Sturrock

---

“THANKS ANDY AND THANK YOU JUAN FOR YOUR EXCELLENT SERVICE (THE BESPOKE ENGINEERING PACK FOR THE DOWNER SYSTEM WAS EXCELLENT) AND EXCELLENT PRODUCTS – WE LOOK FORWARD TO WORKING WITH YOU AGAIN SOON.”

LUKE DAVIS, SENIOR DESIGN MANAGER, FIFTH ELEVATION

TRY DOWNER DESIGNER TODAY



# DCS021 OMEGA AND ZED SYSTEM



# DCS021 OMEGA AND ZED SYSTEM

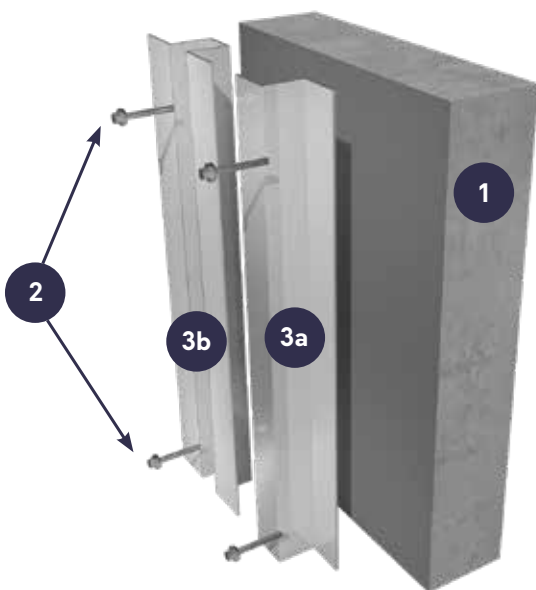


Downer DCS021 framing system provides vertical support to most rainscreen cladding panels using the principle of a ventilated façade.

The Omega and Zed extruded rails are designed to be installed onto a continuous structural load bearing substrate to offer direct support to the cladding panels by face or adhesive fixing them.

It can also be used as a support to other framing systems such as our DCS004 Mechanical Secret Fix or combined with DCS031 & DCS041, or another layer of DCS021 Omega and Zeds to provide horizontally orientated support rails.

## COMPONENTS



- ① Primary Structure  
(Concrete, Masonry, SFS or timber)
- ② Primary Fixing  
(Varies dependent on primary structure)
- ③ DCS021 Vertical Rail  
(Available as 3 or 6m lengths)
  - a. Zed Rail
  - b. Omega Rail

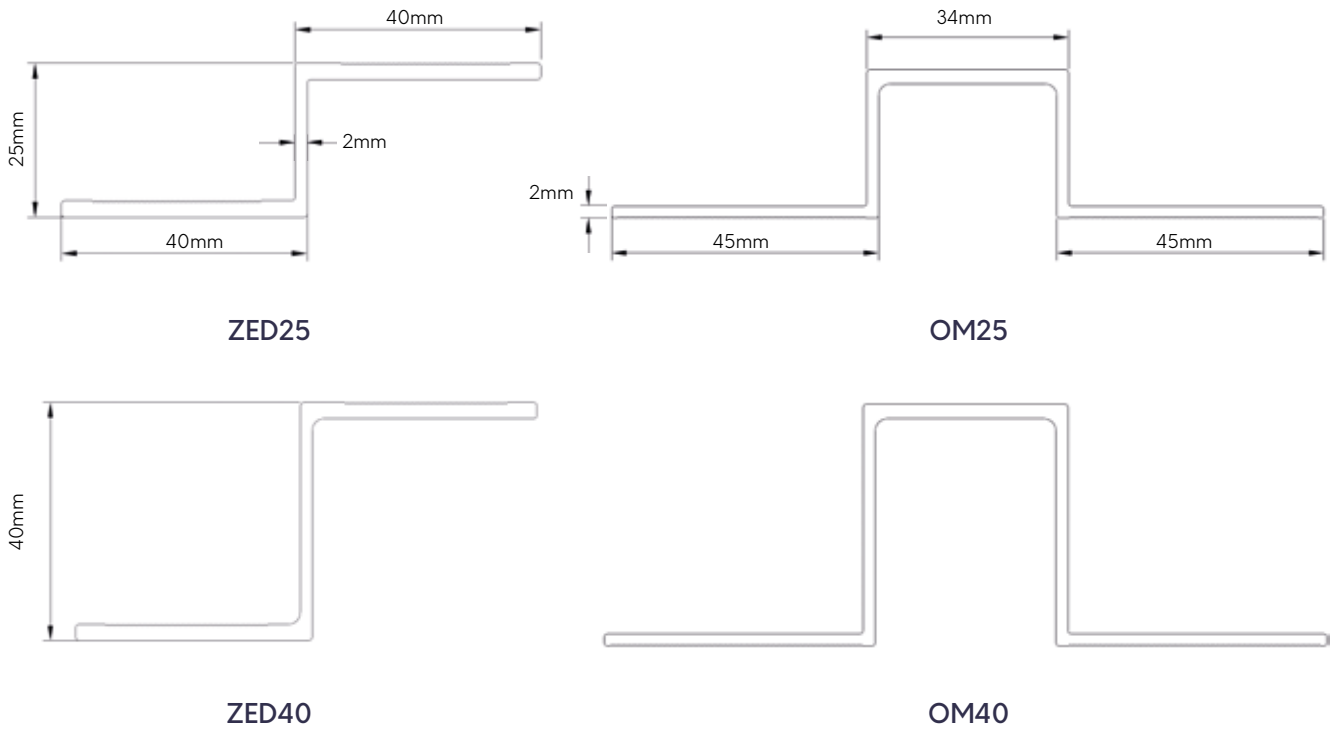
**Note:** All illustrations included in the brochure are representations of the system and structural design analysis must be sought on a project basis. Technical guide to be read in conjunction with typical CAD details and, if applicable, with relevant Downer system technical guide.

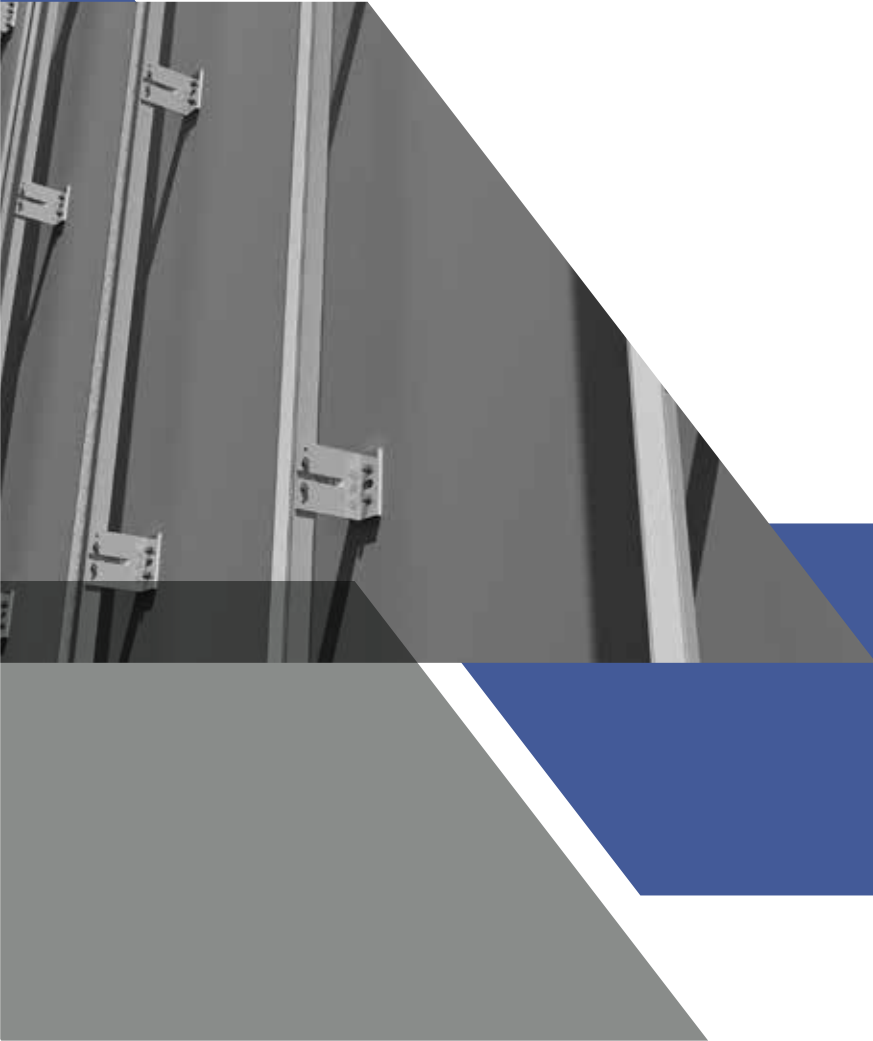
## CAVITY RANGE

Downer DCS021 Omega and Zed rails are available in two depths to offer a continuous cavity of 25 or 40mm

Extruded Alloy Grade 6005 T6				
DCS021 Rail Ref.	Description	Depth	Dimensions	Length (mm)
ZED25-3	"Zed" carrier rail	25mm	40x25x40	3000
ZED25-6	"Zed" carrier rail	25mm	40x25x40	6000
OM25-3	"Omega" carrier rail	25mm	45x25x34x25x45	3000
OM25-6	"Omega" carrier rail	25mm	45x25x34x25x45	6000
ZED40-3	"Zed" carrier rail	40mm	40x40x40	3000
ZED40-6	"Zed" carrier rail	40mm	40x40x40	6000
OM40-3	"Omega" carrier rail	40mm	45x40x34x40x45	3000
OM40-6	"Omega" carrier rail	40mm	45x40x34x40x45	6000

Special lengths available on request, minimum quantity applies.





# DCS031 HELPING HAND SYSTEM

---

TRY DOWNER DESIGNER TODAY

DCS031

HELPING  
HAND SYSTEM



# DCS031 HELPING HAND SYSTEM

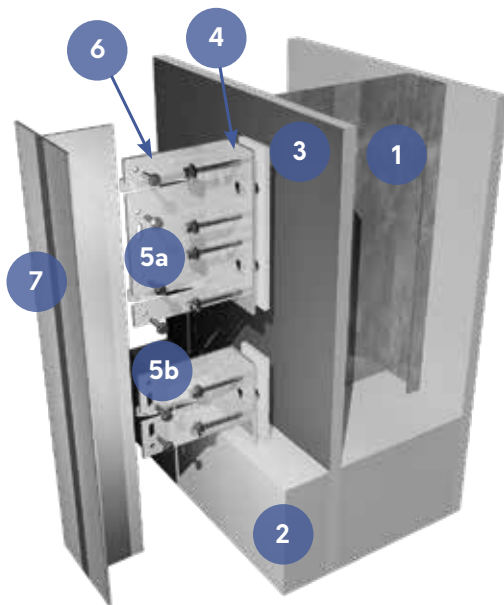


Downer DCS031 HELPING HAND® bracket framing system provides vertical support to most rainscreen cladding panels using the principle of a ventilated façade.

HELPING HAND® brackets combined with extruded aluminium L & T profiles provide the installer with an adjustable system allowing for thermal and structural movement and variation in cavity depth to suit project specific requirements.

DCS031 vertical rails offer direct support to the cladding panels by face or adhesive fixing them. It can also be used as a support to other framing systems such as our DCS004 Mechanical Secret Fix, DCS021 Omega and Zeds for horizontal support or Downer Timber Batten Holders to build an adjustable timber frame.

## COMPONENTS



- ① Primary Structure  
(Concrete, Masonry, SFS or Timber)
- ② Insulation
- ③ DCS031 Isolator Pad
- ④ Primary Fixing  
(Varies dependent on primary structure)
- ⑤ DCS031 Helping Hand® bracket  
a. Double (150mm high)  
b. Single (88mm high)
- ⑥ FDS 4.8x19mm
- ⑦ DCS031 Vertical Rail  
(L or T available as 3 or 6m lengths)

DCS031 HELPING HAND® brackets are available as standard with Ø6.5mm holes (SFS / Timber) and 22xØ11mm slots (masonry / concrete) to suit project specific primary anchors.

**Note:** All illustrations included in the brochure are representations of the system and structural design analysis must be sought on a project basis. Technical guide to be read in conjunction with typical CAD details and, if applicable, with relevant Downer system technical guide.

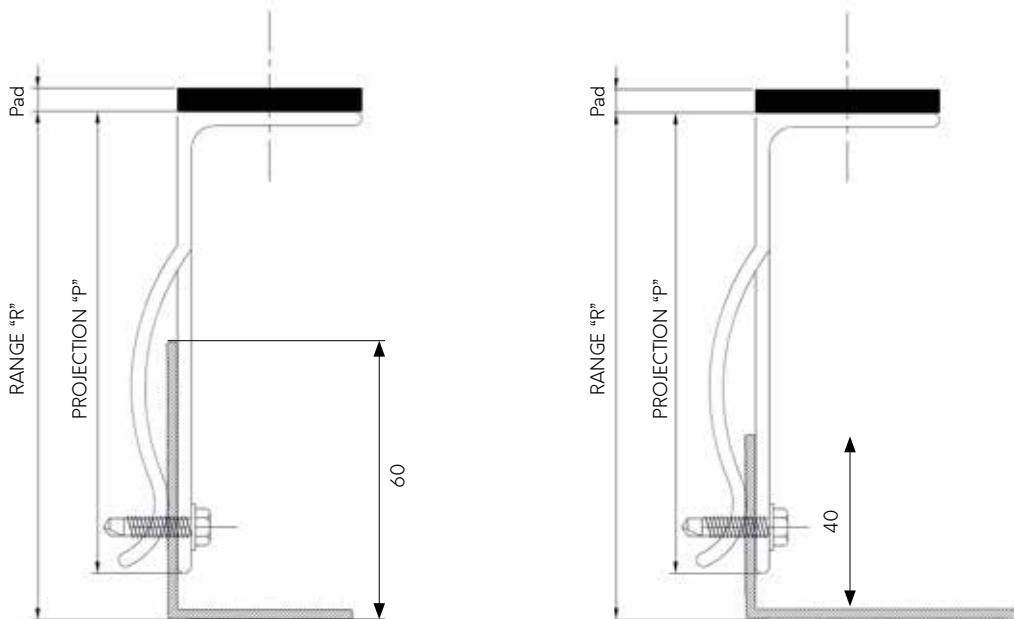
## CAVITY RANGE

Downer DCS031  
HELPING HAND®  
brackets are available in  
different sizes ranging  
from 40 to 400mm  
projection.

Framing Zone - Range (R)					
Bracket Ref. Single	Bracket Ref. Double	Range 40mm Leg into Bracket		Range 60mm Leg into Bracket	
HH-Single 40	N/A	49mm	59mm	69mm	79mm
HH-Single 45	N/A	54mm	64mm	74mm	84mm
HH-Single 50	N/A	59mm	69mm	79mm	89mm
HH-Single 60	N/A	69mm	79mm	89mm	99mm
HH-Single 70	HH-Double 70	72mm	90mm	84mm	109mm
HH-Single 100	HH-Double 100			102mm	142mm
HH-Single 130	HH-Double 130			132mm	172mm
HH-Single 160	HH-Double 160			162mm	202mm
HH-Single 190	HH-Double 190			192mm	232mm
HH-Single 220	HH-Double 220			222mm	262mm
HH-Single 250	HH-Double 250			252mm	292mm
HH-Single 280	HH-Double 280			282mm	322mm
<b>HH-Single 310 *</b>	HH-Double 310			312mm	352mm
<b>HH-Single 340 *</b>	HH-Double 340			342mm	382mm
<b>HH-Single 370 *</b>	HH-Double 370			372mm	412mm
<b>HH-Single 400 *</b>	HH-Double 400			402mm	442mm

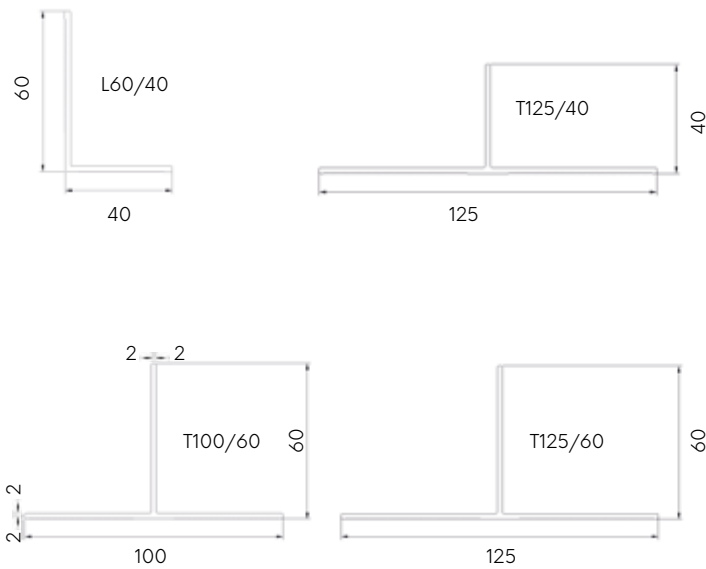
Add 5mm to include Thermostop Pad / Add 7mm to include A2 IsoPad

**\*Coming soon. Please contact Downer for more information**



TRY DOWNER DESIGNER TODAY

## DCS031 RAILS



DCS031 Rail Ref.	Description	Length (mm)
T100/60-3	"T" carrier rail	3000
T100/60-4.85	"T" carrier rail	4850
T100/60-6	"T" carrier rail	6000
T125/60-3	"T" carrier rail	3000
T125/60-6	"T" carrier rail	6000
T125/40-3	"T" carrier rail	3000
T125/40-6	"T" carrier rail	6000
<b>T140/60-3 *</b>	"T" carrier rail	3000
<b>T140/60-6 *</b>	"T" carrier rail	6000
L60/40-3	"L" carrier rail	3000
L60/40-4.85	"L" carrier rail	4850
L60/40-6	"L" carrier rail	6000

Special lengths available on request, minimum quantity applies.

**\*Special order, minimum quantity applies**

Thermal Isolation Pads				
Product	Code	Suitable for	Dim (mm)	Thickness
	ISO/Single	Single Helping Hand® Brackets	88x40	5mm
	ISO/Double	Double Helping Hand® Brackets	150x40	5mm
	A2 ISO/Single *	Single Helping Hand® Brackets	88x40	7mm
	A2 ISO/Double *	Double Helping Hand® Brackets	150x40	7mm

\*Low thermal conductivity ISO pad with a fire classification A2-s1,d0

## FEATURES

**Aluminium sub-frame system incorporating the HELPING HAND® wall brackets, offering rapid installation and reduced costs.**

- Adjustable system allowing for thermal and structural movement
- Ideal for all types of buildings with solid masonry or stud frame walls
- Ideal for new build and renovation
- Rapid installation – low site costs
- Vertical or horizontal cladding rails
- Fully adjustable cavity depth range between 49-442mm

## OPTIONS

- Fixed point and sliding points
- Rapid fixing and alignment of T&L rails
- Universal brackets can be fixed to all substrates

---

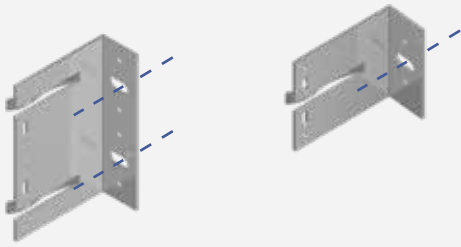
## HELPING HAND BRACKETS

### SUBSTRATES

All our brackets are available with both  $\text{\O}6.5\text{mm}$  holes and  $22\times\text{\O}11\text{mm}$  slots to suit primary anchors specified by project specific static calculations and/or on-site pull out tests.

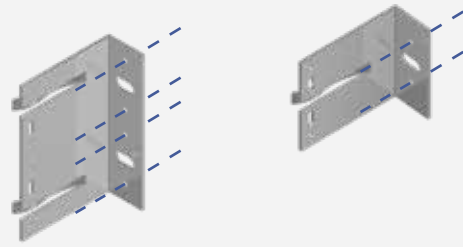
#### Concrete or masonry substrates

Ensure fixings are fitted through the  $22\times\text{\O}11\text{mm}$  slots.  
2no. per double and 1no. per single bracket.



#### Steel or timber substrates

Ensure fixings are fitted through the  $\text{\O}6.5\text{mm}$  holes.  
4no. per double and 2no. per single bracket.

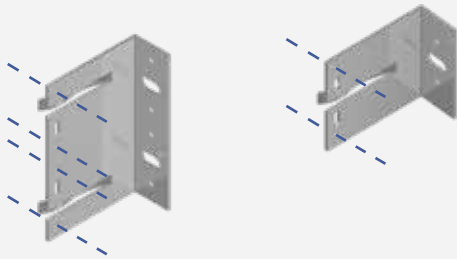


### FIXED & SLIDING POINTS

All our brackets are available with both  $\text{\O}5.1\text{mm}$  holes and  $15\times\text{\O}5.5\text{mm}$  slots.

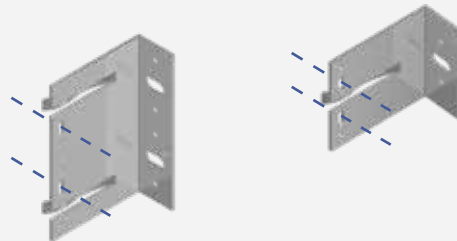
#### Fixed point (absorbs dead load)

Vertical rail secured using  $4.8\times 19\text{mm}$  framing drill screws through  $\text{\O}5.1\text{mm}$  holes.  
4no. per double and 2no. per single bracket.



#### Sliding point (absorbs live loads and rail expansion)

Vertical rail secured using  $4.8\times 19\text{mm}$  framing drill screws through centre of  $15\times\text{\O}5.5\text{mm}$  slots.  
2no. per bracket.



Please refer to project specific static calculations for correct location of fixed & sliding point brackets and quantity of each.

Generally, fixed point brackets are located at top/base of rail with all other brackets being sliding points.

## Timber Batten Holder - Folded Alloy Grade 5251/H22

Product	Code	Suitable for timber depth (mm)	Suitable for timber widths (mm)	Length (mm)
	TBH38/100	38	100	160
	TBH38/50	38	50	160

## Accessories

Product	Code	Size (mm) and use	Uom
Frame screw JT4-4	FDS4819	4.8mm x 19mm S/steel for fixing rail to helping hand bracket	100
Frame screw JT3-LT3	LPFDS5525	Low profile 5.5 x 25 x 12mm Head for fixing DCS004 Rail to Vertical Rail (2no. per intersection)	100
Frame screw JT3-3	FDS35550W16	5.5mm x 50mm S/steel for fixing helping hand bracket to up to 3mm steel stud	100
Frame screw JT3-3	FDS35535W16	5.5mm x 35mm S/steel for fixing helping hand bracket to up to 3mm steel	100
Wall Anchor Set SDF-KB-10V-60E	WAKB10060A4	10mm x 60mm A4 s/ steel for fixing HHB. Clamping thickness Solid Blockwork & Brick 10mm, Embedment 50mm / Concrete 20mm, Embedment 40mm	100
Wall Anchor Set SDF-KB-10V-70E	WAKB10070A4	10mm x 70mm A4 s/ steel for fixing HHB. Clamping thickness Solid Blockwork & Brick 20mm, Embedment 50mm / Concrete 30mm, Embedment 40mm	100
Wall Anchor Set SDF-KB-10H-80E	WAKB10080A4	10mm x 80mm A4 s/ steel for fixing HHB. Clamping thickness Hollow Brickwork 10mm, Embedment 70mm	100

Other fixings available on request.



# DCS032 HORIZONTAL SYSTEM

---

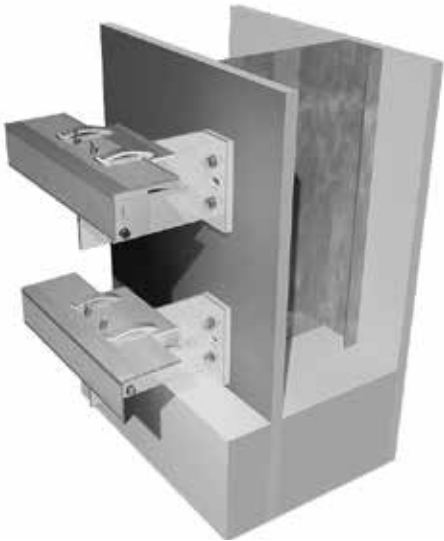
TRY DOWNER DESIGNER TODAY

DCS032

HORIZONTAL  
SYSTEM



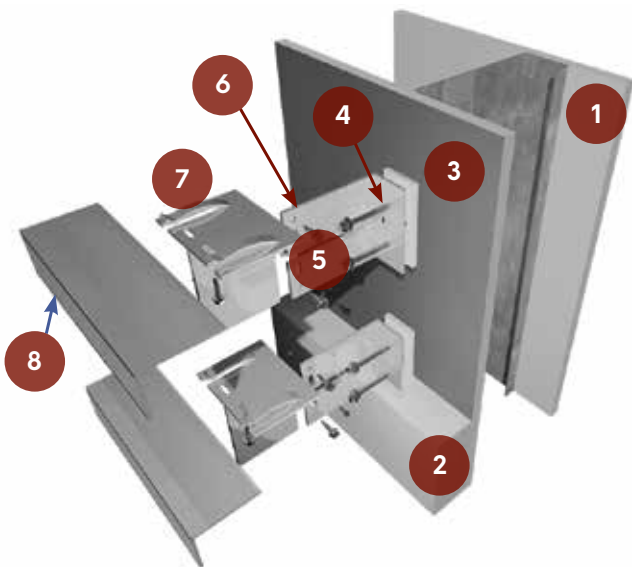
# DCS032 HORIZONTAL SYSTEM



Downer DCS032 framing system provides horizontal support to cladding panels using the principle of a ventilated façade.

Downer DCS032 Horizontal Adaptor combined with DCS031 HELPING HAND® brackets and extruded aluminium L&T profiles provide the installer with an adjustable system allowing for thermal and structural movement and variation in cavity depth to suit project specific requirements.

## COMPONENTS



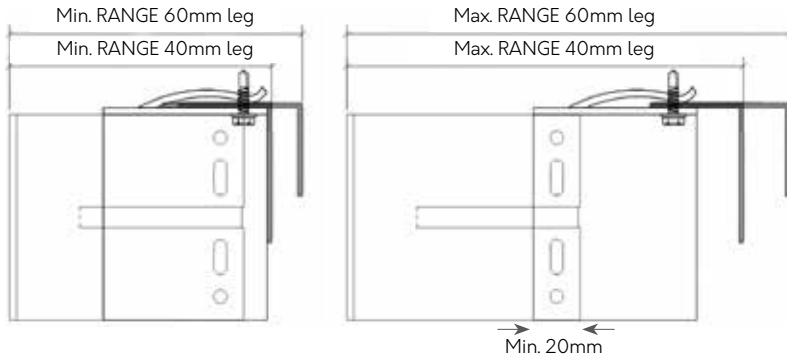
DCS031 HELPING HAND® brackets are available as standard with Ø6.5mm holes (SFS/Timber) and 22xØ11mm slots (masonry/concrete) to suit project specific primary anchors.

**Note:** All illustrations included in the brochure are representations of the system and structural design analysis must be sought on a project basis. Technical guide to be read in conjunction with typical CAD details and, if applicable, with relevant Downer system technical guide.

- 1 Primary Structure  
(Concrete, Masonry,  
SFS or Timber)
- 2 Insulation
- 3 DCS031 Isolator Pad
- 4 Primary Fixing  
(Varies dependent on  
primary structure)
- 5 DCS031 Single  
HELPING HAND® bracket
- 6 FDS 4.8x19mm
- 7 DCS032 Horizontal Adaptor
- 8 DCS031 "L" or "T" rails

## CAVITY RANGE

Downer DCS031 HELPING HAND® brackets are available in different sizes ranging from 40 to 400mm projection offering the following cavity ranges when combined with DCS032 Horizontal Adaptor.



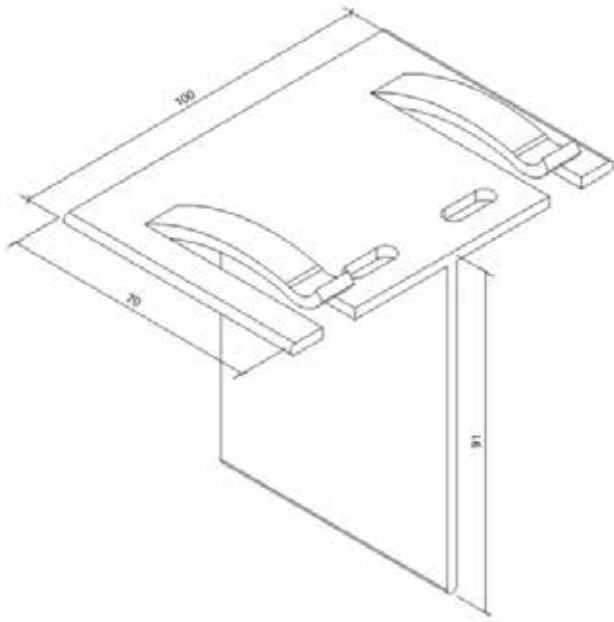
Framing Zone - Range (R)					
Bracket Ref. Single	Bracket Ref. Double	Range- 40mm Leg into DCS032 Adaptor		Range- 60mm Leg into DCS032 Adaptor	
HH-Single 40	N/A	81mm	110mm	99mm	130mm
HH-Single 45	N/A	86mm	115mm	104mm	135mm
HH-Single 50	N/A	91mm	120mm	109mm	140mm
HH-Single 60	N/A	101mm	130mm	119mm	150mm
HH-Single 70	HH-Double 70	111mm	140mm	129mm	160mm
HH-Single 100	HH-Double 100	112mm	170mm	125mm	190mm
HH-Single 130	HH-Double 130	142mm	200mm	155mm	220mm
HH-Single 160	HH-Double 160	172mm	230mm	185mm	250mm
HH-Single 190	HH-Double 190	202mm	260mm	215mm	280mm
HH-Single 220	HH-Double 220	232mm	290mm	255mm	310mm
HH-Single 250	HH-Double 250	262mm	320mm	275mm	340mm
HH-Single 280	HH-Double 280	292mm	350mm	305mm	370mm
<b>HH-Single 310 *</b>	HH-Double 310	322mm	380mm	335mm	400mm
<b>HH-Single 340 *</b>	HH-Double 340	352mm	410mm	365mm	430mm
<b>HH-Single 370 *</b>	HH-Double 370	482mm	440mm	395mm	460mm
<b>HH-Single 400 *</b>	HH-Double 400	412mm	470mm	425mm	490mm
Add 5mm to include Thermostop Pad / Add 7mm to include A2 IsoPad					

\*Coming soon. Please contact Downer for more information

TRY DOWNER DESIGNER TODAY



## DCS032 ADAPTOR



### Extruded Alloy Grade 6063 T6

DCS032 Ref.	Description
DCS032	Horizontal Adaptor



TECHNICAL GUIDE

---

# DCS033 HOOK ON SYSTEM



---

TRY DOWNER DESIGNER TODAY

DCS033

FLOOR TO FLOOR  
SYSTEM



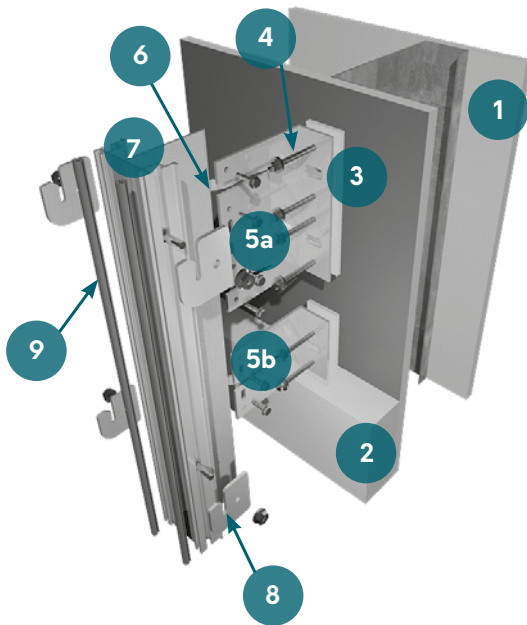
# DCS033 HOOK ON SYSTEM



Downer DCS033 framing system provides support to metal hook-on cassette cladding panels using the principle of a ventilated façade.

HELPING HAND® brackets combined with extruded aluminium L&T profiles provide the installer with an adjustable system allowing for thermal and structural movement and variation in cavity depth to suit project specific requirements.

## COMPONENTS



DCS031 HELPING HAND® brackets are available as standard with Ø6.5mm holes (SFS / Timber) and 22xØ11mm slots (masonry / concrete) to suit project specific primary anchors.

**Note:** All illustrations included in the brochure are representations of the system and structural design analysis must be sought on a project basis. Technical guide to be read in conjunction with typical CAD details and, if applicable, with relevant Downer system technical guide.

- 1 Primary Structure  
(Concrete, Masonry,  
SFS or timber)
- 2 Insulation
- 3 DCS031 Isolator Pad
- 4 Primary Fixing  
(Varies dependent on  
primary structure)
- 5 DCS031 Helping  
Hand® bracket  
a. Double (150mm high)  
b. Single (88mm high)
- 6 FDS 4.8x19mm
- 7 DCS033 Vertical Rail  
(L or T available as  
3 or 6m lengths)
- 8 Hooks c/w M6x16 Bolt  
and Locknut.
- 9 Anti-rattle gasket

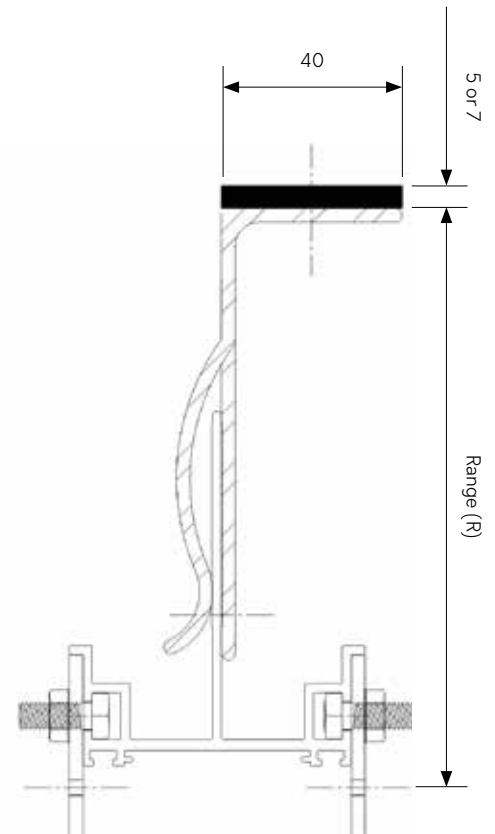
## CAVITY RANGE

Downer DCS031 HELPING HAND® brackets are available in different sizes ranging from 40 to 400mm projection offering the following cavity ranges when combined with DCS033 vertical profiles.

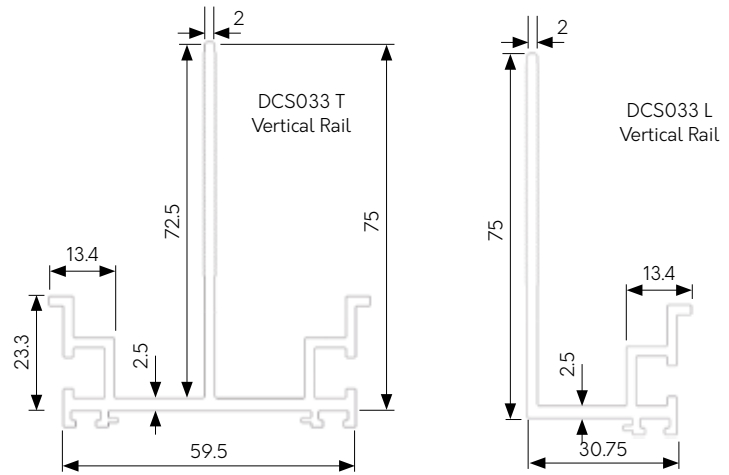
Framing Zone - Range (R)			
Bracket Ref. Single	Bracket Ref. Double	Range	
HH-Single 40	N/A	92mm	102mm
HH-Single 45	N/A	97mm	107mm
HH-Single 50	N/A	102mm	112mm
HH-Single 60	N/A	112mm	122mm
HH-Single 70	HH-Double 70	107mm	132mm
HH-Single 100	HH-Double 100	125mm	160mm
HH-Single 130	HH-Double 130	155mm	190mm
HH-Single 160	HH-Double 160	185mm <td 220mm	
HH-Single 190	HH-Double 190	215mm	250mm
HH-Single 220	HH-Double 220	245mm	280mm
HH-Single 250	HH-Double 250	275mm	310mm
HH-Single 280	HH-Double 280	305mm	340mm
<b>HH-Single 310 *</b>	HH-Double 310	335mm	370mm
<b>HH-Single 340 *</b>	HH-Double 340	365mm	400mm
<b>HH-Single 370 *</b>	HH-Double 370	395mm	430mm
<b>HH-Single 400 *</b>	HH-Double 400	425mm	460mm

Add 5mm to include Thermostop Pad /  
Add 7mm to include A2 IsoPad

\* Coming soon. Please contact Downer for more information



## DCS033 RAILS



### Extruded Alloy Grade 6063 T6

DCS033 Rail Ref.	Description	Length (mm)
DCS033 T	'T' carrier rail	3000
DCS033 T	'T' carrier rail	6000
DCS033 L	'L' carrier rail	3000
DCS033 L	'L' carrier rail	6000

Special lengths available on request, minimum quantity applies.





# DCS034 SOFFIT SYSTEM

---

TRY DOWNER DESIGNER TODAY

DCS034

SOFFIT  
SYSTEM



# DCS034 SOFFIT SYSTEM

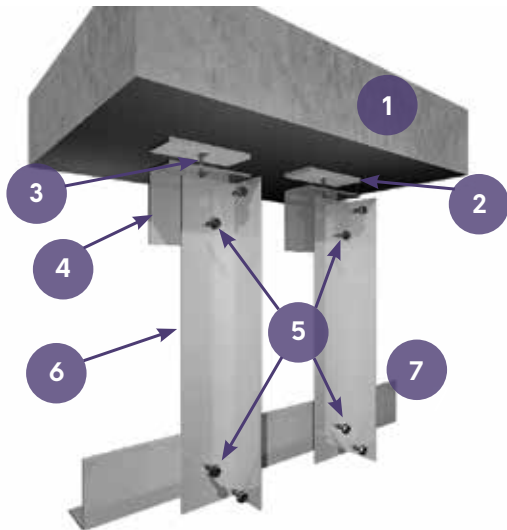


Downer DCS034 Soffit framing system provides support to cladding panels on a soffit application using the principle of a ventilated façade.

Downer DCS034 Soffit brackets and extruded aluminium L&T profiles provide the installer with an adjustable system allowing for thermal and structural movement and variation in cavity depth to suit project specific requirements.

Maximum cavity 1000mm.

## COMPONENTS

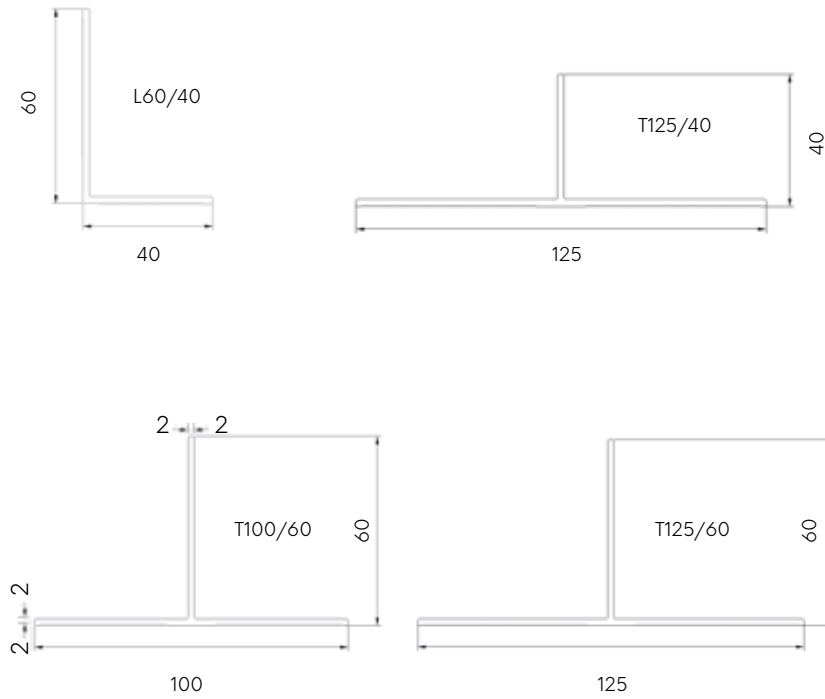


DCS034 Soffit brackets are available as standard with  $\text{Ø}6.5\text{mm}$  holes (SFS / Timber) and  $22 \times \text{Ø}11\text{mm}$  slots (Masonry / Concrete) to suit project specific primary anchors.

**Note:** All illustrations included in the brochure are representations of the system and structural design analysis must be sought on a project basis. Technical guide to be read in conjunction with typical CAD details and, if applicable, with relevant Downer system technical guide.

- 1 Primary Structure  
(Concrete, Masonry,  
SFS or Timber)
- 2 DCS034 Isolator Pad
- 3 Primary Fixing  
(Varies dependent on  
primary structure)
- 4 DCS034 Single Bracket
- 5 FDS 4.8x19mm
- 6 DCS031 60x40 L 'drop' rail
- 7 DCS031 'L' or 'T' Rails

## DCS034 RAILS



Extruded Alloy Grade 6063 T6		
DCS031 Rail Ref.	Description	Length (mm)
T100/60-3	'T' carrier rail	3000
T100/60-4.85	'T' carrier rail	4850
T100/60-6	'T' carrier rail	6000
T125/60-3	'T' carrier rail	3000
T125/60-6	'T' carrier rail	6000
<b>T140/60-3 *</b>	'T' carrier rail	3000
<b>T140/60-6 *</b>	'T' carrier rail	6000
L60/40-3	'L' carrier rail	3000
L60/40-4.85	'L' carrier rail	4850
L60/40-6	'L' carrier rail	6000

Special lengths available on request, minimum quantity applies.

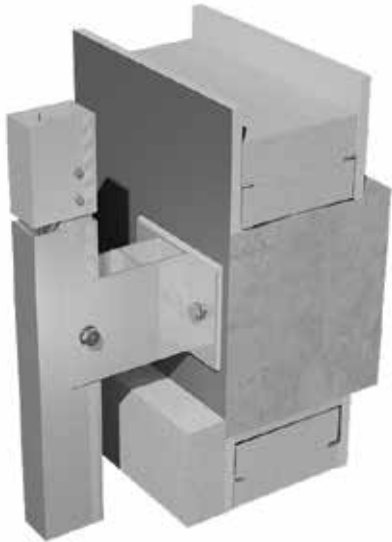
**\*Special order, minimum quantity applies.**



# DCS041 FLOOR TO FLOOR SYSTEM



# DCS041 FLOOR TO FLOOR SYSTEM



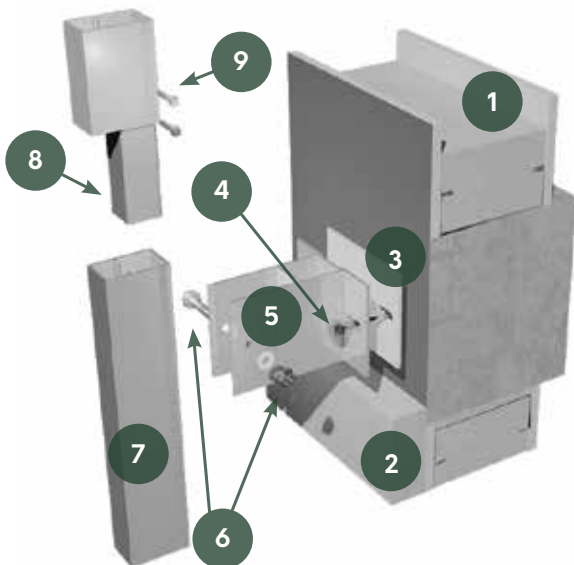
Downer DCS041 floor to floor framing system provides vertical support to most rainscreen cladding panels using the principle of a ventilated façade with the ability to span over non-load bearing walls and be fixed back to floor slabs.

Wall brackets combined with extruded aluminium box and “T” box profiles provide the installer with an adjustable system allowing for thermal and structural movement and variation in cavity depth to suit project specific requirements.

DCS041 vertical rails offer direct support to the cladding panels by face or adhesive fixing them.

It can also be used as a support to other framing systems such as our DCS004 Mechanical Secret Fix or DCS021 Omega and Zeds for horizontal support.

## COMPONENTS

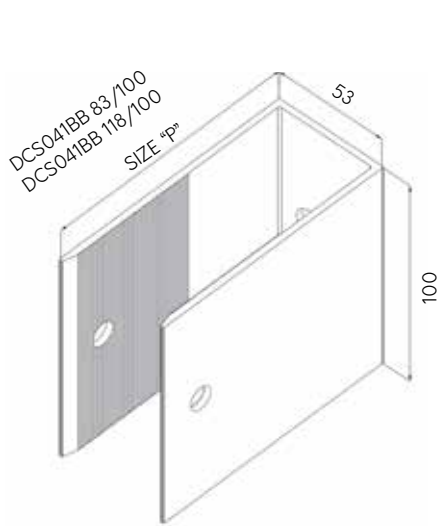


- 1 Primary Structure  
(Concrete, Masonry, SFS and others.)
- 2 Insulation
- 3 DCS041 Isolator Pad
- 4 Primary Fixing  
(Varies dependent on primary structure)
- 5 DCS041 Wall Bracket
- 6 HBS 100x75 A2 S/S Bolt Set
- 7 DCS041 Box Rail  
(Box or “T” box available as 6m lengths)
- 8 200mm Rail Connecting Spigot
- 9 FDS 65530 W16 Spigot Retaining Screw

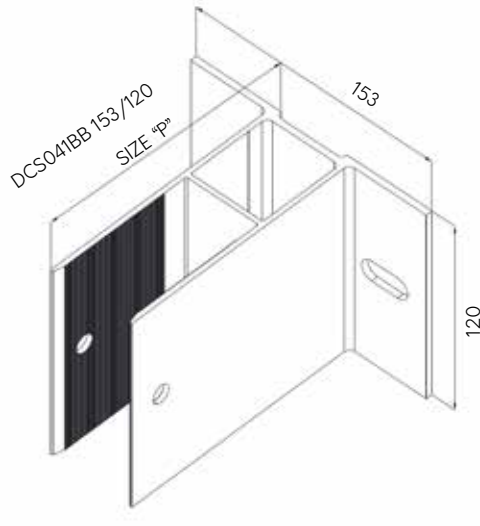
**Note:** All illustrations included in the brochure are representations of the system and structural design analysis must be sought on a project basis. Technical guide to be read in conjunction with typical CAD details and, if applicable, with relevant Downer system technical guide.

## DCS041 WALL BRACKETS / CAVITY RANGE

DCS041 wall brackets are available as standard with 30xØ13mm slots (central or side located) to suit most masonry / concrete anchors and in different sizes ranging from 83 to 153mm projection.



DCS041 - WALL BRACKET  
CENTRE FIXING

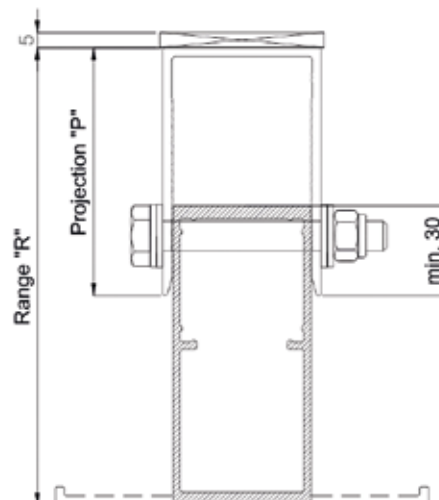
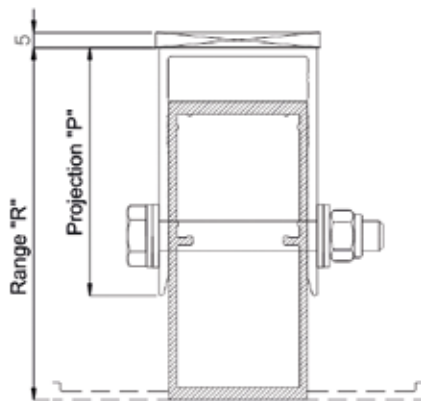


DCS041 - WALL BRACKET  
SIDE FIXING

## FRAMING ZONE - RANGE (R)

Bracket Reference	Projection	Range 75mm "Box" Rail	Range 100mm "Box" Rail	Range 125mm "Box" Rail	Range 153mm "Box" Rail
DCS041 BA&BB 83/100	83mm	93mm	128mm	118mm	153mm
DCS041 BA&BB 118/100	118mm	121mm	163mm	121mm	188mm
DCS041 BA&BB 153/120	153mm	156mm	198mm	163mm	223mm

Add 5mm to include - Thermal Isolator Pad

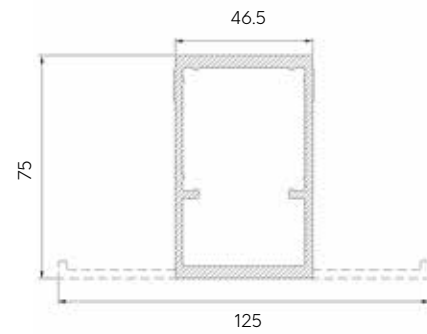
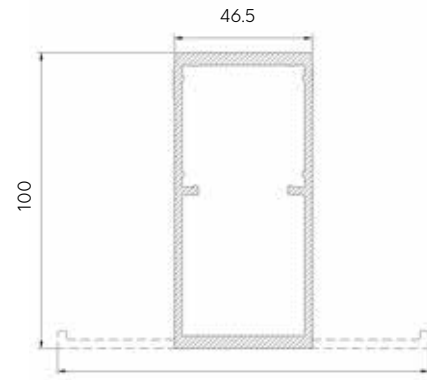


## DCS041 RAILS

### Extruded Alloy Grade 6005A T6

DCS041 Rail Ref.	Description	Length (mm)
DCS041 RT075/4/6000	"T-Box" carrier rail	6000
DCS041 RT100/4/6000	"T-Box" carrier rail	6000
DCS041 RB075/4/6000	"Box" carrier rail	6000
DCS041 RB100/4/6000	"Box" carrier rail	6000
DCS041 SP4/200	40x40mm Connecting spigot	200

Special lengths available on request, minimum quantity applies..



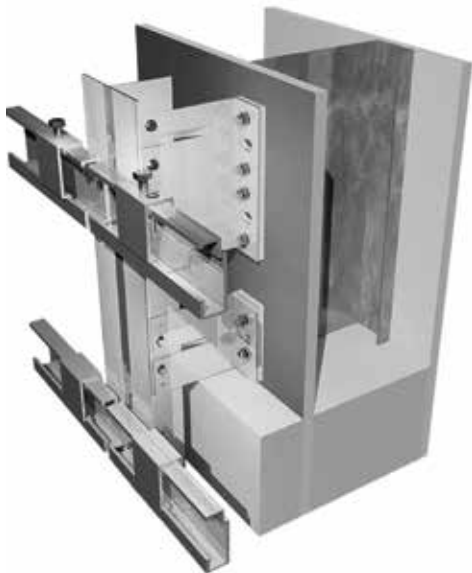
TRY DOWNER DESIGNER TODAY



# DCS004 MECHANICAL SECRET FIX SYSTEM



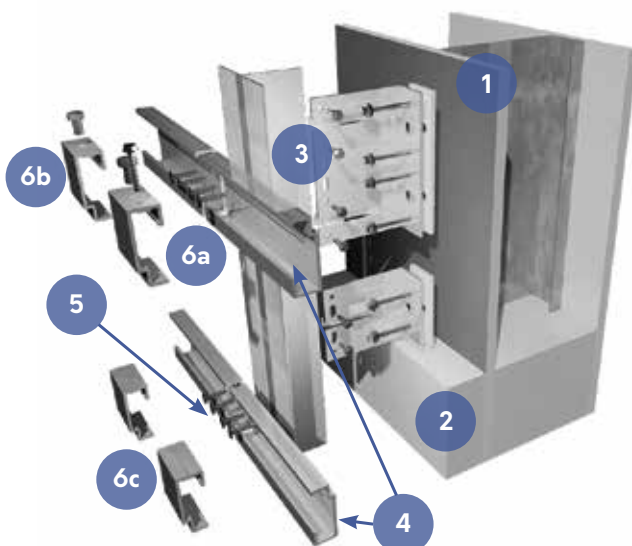
# DCS004 MECHANICAL SECRET FIX SYSTEM



Downer DCS004 Framing System provides mechanical secret fix support to most rainscreen cladding panels using the principle of a ventilated façade.

DCS004 MSF can be installed onto our DCS031 Helping Hand, DCS041 Floor to Floor or DCS021 Omega & Zed system offering design freedom to suit project specific thermal and structural demands and variation in cavity depths.

## COMPONENTS



- ① Primary Structure  
(Concrete, Masonry, SFS or timber)
- ② Insulation
- ③ DCS031 Helping Hand System  
(Refer to relevant technical guide)
- ④ DCS004 Horizontal Carrier Rail
- ⑤ LT3-5.5x25mm Low profile TEK Screws  
(2no. per intersection)
- ⑥ DCS004 Panel Hangers
  - a. Adjustable/  
Fix Panel Hanger
  - b. Adjustable Panel Hanger
  - c. Standard Panel Hanger

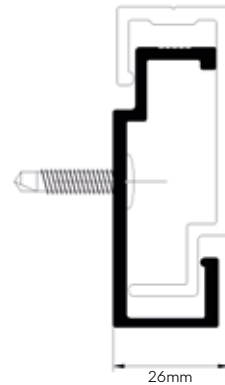
**Note:** All illustrations included in the brochure are representations of the system and structural design analysis must be sought on a project basis. Technical guide to be read in conjunction with typical CAD details and, if applicable, with relevant Downer system technical guide.

## CAVITY RANGE

An increase of 26mm would need to be added to framing support system cavity to allow for Downer DCS004 Panel Hangers and Horizontal Carrier Rail.

## DCS004 HORIZONTAL CARRIER RAIL AND HANGERS

Extruded Alloy Grade 6005A T6		
DCS004 Ref.	Description	Length (mm)
DCS004 Rail-3	Horizontal Carrier Rail	3000
DCS004 Rail-6	Horizontal Carrier Rail	6000
<b>DCS004 HA__*</b>	Adjustable Hanger	50
<b>DCS004 HF__*</b>	Adjustable Fixed Hanger	50
<b>DCS004 HS__*</b>	Standard Hanger	50



\* The last 3 or 4 digits refer to the hanger configuration, see below.



**DCS004HA**



**DCS004HF**



**DCS004HS**



**DCS004 Rail- 3/6**

DCS004 Panel Hangers are available as standard with the following configurations:

- 50A - 2xØ7mm holes @ 30mm
- KE50 - Square hole 10.2mm (Keil Anchor)
- K50 - Hex hole 9.2mm (Keil Anchor)



**DCS004HS50A**



**DCS004HSKE50**



**DCS004HSK50**

Please contact Downer for any other project specific configurations.

---

## DELIVERY AND PACKAGING



Most deliveries are made by standard courier unless specific vehicles are requested (For 6m lengths a rigid sided or larger lorry may be required).

All products leaving our factory are packed in a manner to ensure safe delivery to site. This entails protection by shrink-wrapping and strapping, and with delivery on suitably sized pallets, frames, crates, bundles, or boxes. These normally contain a maximum of 1200kg for pallets and 35kg for non-palletized items for safe handling on site. It should be noted that it is the customers' responsibility to ensure safe unloading of delivery vehicles.



**Pallets are made suitable for forklift off-load only as standard. If pallets are required for craning off-load, maximum loading and size must be advised at the time of ordering.**

---

## SITE HANDLING



Components must be handled with care in order to avoid loss or damage. Should it be necessary to store the material on site for any length of time, it should be protected from the elements and the environment. A suitable storage area will need to be set aside, storage should be as near as practicable to the areas of working to minimise handling, damage, and waste.

---

## MAINTENANCE INSTRUCTIONS



Downer Framing systems sit behind the cladding panels and do not require special maintenance. Under normal service conditions the systems offer a service life in excess of 35 years.

---

# FREE TO USE ONLINE TOOL

Downer Designer is a free to use online tool which enables you to outline all your project specific rainscreen requirements to generate your optimal framing design. All of which is stored and managed in your own personal online account.

Simply enter the information you know, along with any detail specific requirements. Our technical team will then provide you with: static and thermal calculations, along with relevant costings, optimised component and fixing configurations, and NBS specification – all of which you can print off or save as a pdf.

## **COMPREHENSIVE AND TAILORED QUOTES AND CALCULATIONS FOR INSTALLERS**

Downer Designer is an innovative framing tool for designers and contractors, incorporating comprehensive and tailored calculations and costings bespoke to your project.

- Quick and effective to use
- Centralised and easily accessible from your own personal online account
- Façade and soffit applications for all our different systems and variants
- Integrated wind load analysis to BS EN 1991-1-4 & UK National Annex

Downer framing is manufactured from 6000 series extruded aluminium alloys conforming to BS EN 573-3 and production BS EN 755.

If you would rather email or call us directly for assistance, please get in touch.

## **FREE STATIC & THERMAL CALCULATIONS**

The key advantage to Downer Designer is that it is your dedicated portal. Your own personal space where you can obtain, store and manage static and thermal calculations, tailored to your individual project and façade configuration – presented in clear and simple reports.

## **PRECISE & PROFESSIONAL**

Downer Designer is a free to use calculation tool and innovative software which provides fast and effective, optimised calculations, reporting build-up and component configuration, fixing analysis and 3D thermal modelling for U-Value and point loss calculations – all at the click of a button.

## **FAST & EFFECTIVE RESULTS!**

FOR FAST & EFFECTIVE CALCULATIONS AND OPTIMISED PRICING USE DOWNER DESIGNER

Downer Designer helps take the headache out of your rainscreen framing project and helps you to optimise your framing solution.

# INTRODUCING DOWNER<sup>®</sup> DESIGNER



## WHY USE DOWNER DESIGNER

### 3 CLEAR REASONS

#### **SAVE ON TIME**

Fast and effective calculations and tailored quotes from design stage through to installation.

#### **SAVE ON STRESS**

Downer Designer delivers. Free pricing and static calcs, all handled expertly by our experienced technical team, at the click of a button.

#### **OPTIMISE**

Optimise your framing to its full advantage with tailored calculations specific to your project.

TAKE A TOUR

[downerframing.com/downer-designer](http://downerframing.com/downer-designer)



TRY DOWNER DESIGNER TODAY



---

## UK and Europe

+44 (0) 1424 852 641

[info@downerframing.com](mailto:info@downerframing.com)

[www.downerframing.com](http://www.downerframing.com)



## Downer Framing

5 Wainwright Close, St Leonards-on-sea,  
East Sussex, TN38 9PP

Architectural Panel Solutions reserves the right to make substitutions and modifications to the specifications of any of its products without prior notice. It is the customers responsibility to ensure that the company's products are correctly installed and that they are suitable for the customer's particular requirements and application.

The company undertakes business only on its standard terms and conditions.

For project specific samples and technical assistance please contact our technical department on [claddings@architecturalpanelsolutions.com](mailto:claddings@architecturalpanelsolutions.com).

All information is correct as of the date of this document created January 2024.