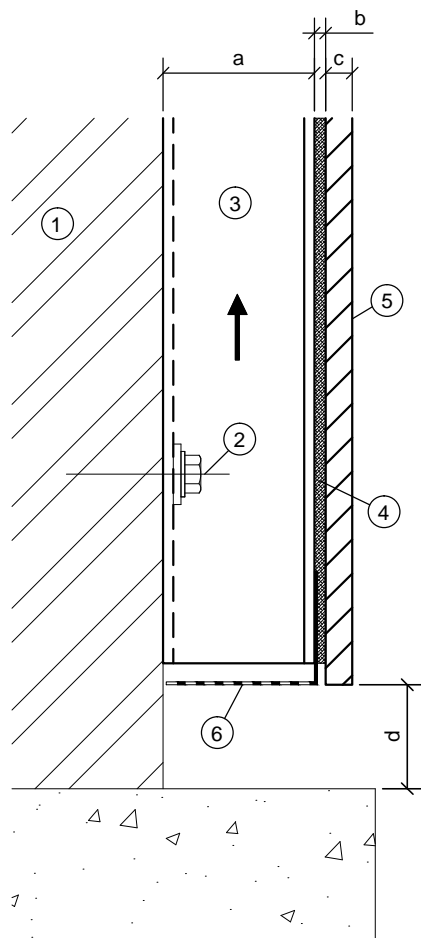


These drawings are indicative only, for use as a guide. The customer is always responsible for any specific design, structural calculations and calculating exact sizes of rails, sizes & quantities of panels. Any project details and calculations supplied by Architectural Panel Solutions are provided in good faith and should always be checked and approved by the project engineer responsible. Architectural Panel Solutions will not accept any liability should the system be designed / installed incorrectly.



Items	
1	Substrate (By Others)
2	Primary fixing will vary subject to substrate composition*
3	DCS021 Vertical Rail
4	Adhesive - refer to manufacturer's instructions
5	Cladding panel
6	Ventilation Profile *
*Please refer to APS Downer Rainscreen Framing brochure	

Dimensions	
a	25-40mm Cavity *
b	Adhesive depth
c	Panel nominal thickness
d	Base distance - Please refer to panel manufacturer recommendation
* Note! dimension may vary due to the shimming requirement for plumbing and alignment of rails	

Rev.	/ /		
------	-----	--	--



**ARCHITECTURAL PANEL SOLUTIONS LIMITED**  
 Unit 5, Wainwright Close, Churchfields Industrial Estate,  
 St Leonards-on-Sea, TN38 0LP  
 T: 01424 852641 F: 01424 852797  
 claddings@architecturalpanelsolutions.com  
 www.architecturalpanelsolutions.com

Drawing Title:

**DCS021 - BASE DETAIL  
 DECORATIVE BOARDS - ADHESIVE FIX**

Drawing Ref:

DCS021-A01

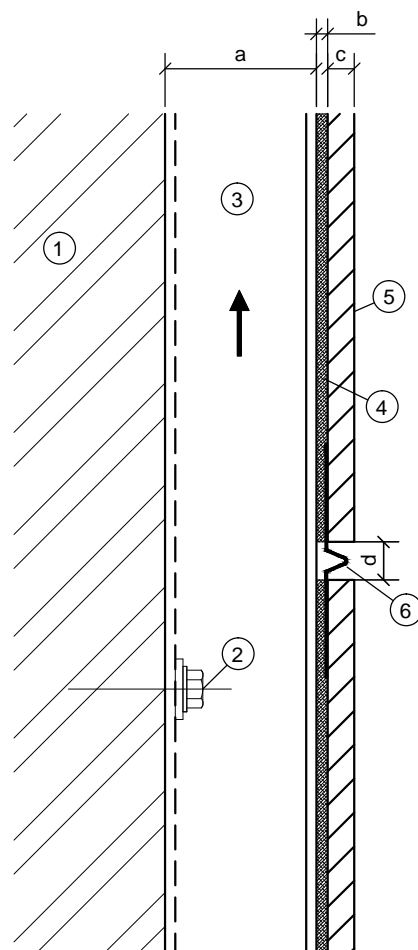
Scale: NTS  
 @ A4

System: DCS021

Date: March-21

Drawn: IS

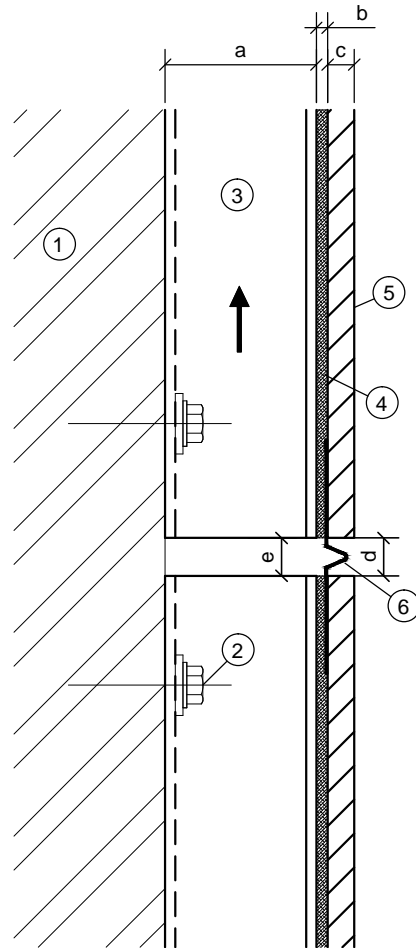
These drawings are indicative only, for use as a guide. The customer is always responsible for any specific design, structural calculations and calculating exact sizes of rails, sizes & quantities of panels. Any project details and calculations supplied by Architectural Panel Solutions are provided in good faith and should always be checked and approved by the project engineer responsible. Architectural Panel Solutions will not accept any liability should the system be designed / installed incorrectly.



Items	
1	Substrate (By Others)
2	Primary fixing will vary subject to substrate composition*
3	DCS021 Vertical Rail
4	Adhesive - refer to manufacturer's instructions
5	Cladding panel
6	Birds Beak Profile (Optional) *
*Please refer to APS Downer Rainscreen Framing brochure	

Dimensions	
a	25-40mm Cavity *
b	Adhesive depth
c	Panel nominal thickness
d	Panel Joint - Please refer to panel manufacturer.
* Note! dimension may vary due to the shimming requirement for plumbing and alignment of rails	

These drawings are indicative only, for use as a guide. The customer is always responsible for any specific design, structural calculations and calculating exact sizes of rails, sizes & quantities of panels. Any project details and calculations supplied by Architectural Panel Solutions are provided in good faith and should always be checked and approved by the project engineer responsible. Architectural Panel Solutions will not accept any liability should the system be designed / installed incorrectly.



Items	
1	Substrate (By Others)
2	Primary fixing will vary subject to substrate composition*
3	DCS021 Vertical Rail
4	Adhesive - refer to manufacturer's instructions
5	Cladding panel
6	Birds Beak Profile (Optional) *
*Please refer to APS Downer Rainscreen Framing brochure	

Dimensions	
a	25-40mm Cavity *
b	Adhesive depth
c	Panel nominal thickness
d	Panel Joint - Please refer to panel manufacturer.
e	Rail Joint - Minimum 10mm recommended (cladding panels should not be fixed to two adjacent vertical rails)
* Note! dimension may vary due to the shimming requirement for plumbing and alignment of rails	

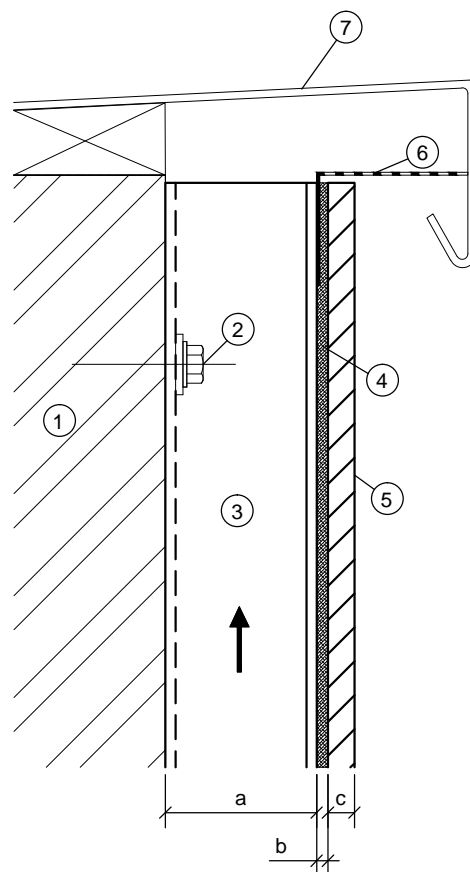
Rev.	/ /		
------	-----	--	--



**ARCHITECTURAL PANEL SOLUTIONS LIMITED**  
 Unit 5, Wainwright Close, Churchfields Industrial Estate,  
 St Leonards-on-Sea, TN38 0LP  
 T: 01424 852641 F: 01424 852797  
 claddings@architecturalpanelsolutions.com  
 www.architecturalpanelsolutions.com

Drawing Title:	DCS021 - HORIZONTAL PANEL AND RAIL JOINT DETAIL DECORATIVE BOARDS - ADHESIVE FIX								
Drawing Ref:	DCS021-A03	Scale:	NTS @ A4	System:	DCS021	Date:	March-21	Drawn:	IS

These drawings are indicative only, for use as a guide. The customer is always responsible for any specific design, structural calculations and calculating exact sizes of rails, sizes & quantities of panels. Any project details and calculations supplied by Architectural Panel Solutions are provided in good faith and should always be checked and approved by the project engineer responsible. Architectural Panel Solutions will not accept any liability should the system be designed / installed incorrectly.



Items	
1	Substrate (By Others)
2	Primary fixing will vary subject to substrate composition*
3	DCS021 Vertical Rail
4	Adhesive - refer to manufacturer's instructions
5	Cladding panel
6	Ventilation Profile *
7	Parapet detail to project requirement (by others)

\*Please refer to APS Downer Rainscreen Framing brochure

Dimensions	
a	25-40mm Cavity *
b	Adhesive depth
c	Panel nominal thickness

\* Note! dimension may vary due to the shimming requirement for plumbing and alignment of rails

Rev.	/ /		
------	-----	--	--

**Architectural**  
PANEL SOLUTIONS

**ARCHITECTURAL PANEL SOLUTIONS LIMITED**  
Unit 5, Wainwright Close, Churchfields Industrial Estate,  
St Leonards-on-Sea, TN38 0LP  
T: 01424 852641 F: 01424 852797  
claddings@architecturalpanelsolutions.com  
www.architecturalpanelsolutions.com

Drawing Title:

DCS021 - PARAPET DETAIL  
DECORATIVE BOARDS - ADHESIVE FIX

Drawing Ref:

DCS021-A04

Scale:

NTS  
@ A4

System:

DCS021

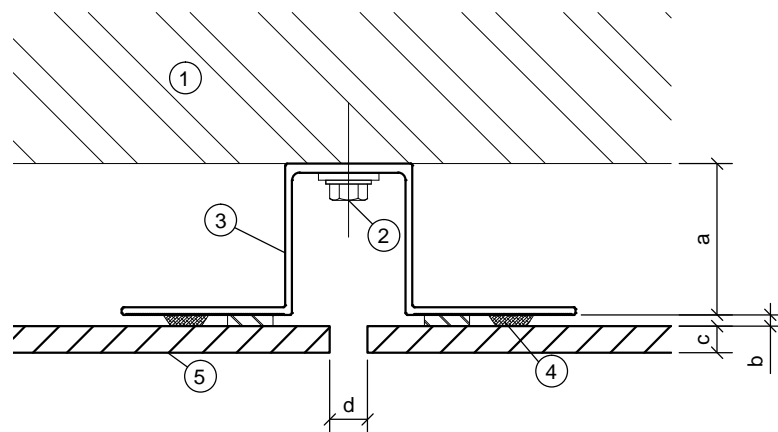
Date:

March-21

Drawn: IS

Architectural Panel Solutions Ltd. reserve the right to amend details at any time without prior notice. Reproduction or disclosure to third parties is strictly prohibited and can only be attained through signed, written consent from APS Ltd.

These drawings are indicative only, for use as a guide. The customer is always responsible for any specific design, structural calculations and calculating exact sizes of rails, sizes & quantities of panels. Any project details and calculations supplied by Architectural Panel Solutions are provided in good faith and should always be checked and approved by the project engineer responsible. Architectural Panel Solutions will not accept any liability should the system be designed / installed incorrectly.



Items	
1	Substrate (By Others)
2	Primary fixing will vary subject to substrate composition*
3	DCS021 Omega Rail
4	Adhesive - refer to manufacturer's instructions
5	Cladding panel

\*Please refer to APS Downer Rainscreen Framing brochure

Dimensions	
a	25-40mm Cavity *
b	Adhesive depth
c	Panel nominal thickness
d	Panel Joint - Please refer to panel manufacturer.

\* Note! dimension may vary due to the shimming requirement for plumbing and alignment of rails

**Architectural**  
PANEL SOLUTIONS

**ARCHITECTURAL PANEL SOLUTIONS LIMITED**  
Unit 5, Wainwright Close, Churchfields Industrial Estate,  
St Leonards-on-Sea, TN38 0LP  
T: 01424 852641 F: 01424 852797  
claddings@architecturalpanelsolutions.com  
www.architecturalpanelsolutions.com

Drawing Title:

DCS021 - VERTICAL PANEL JOINT DETAIL  
DECORATIVE BOARDS - ADHESIVE FIX

Drawing Ref:

DCS021-A05

Scale: NTS  
@ A4

System: DCS021

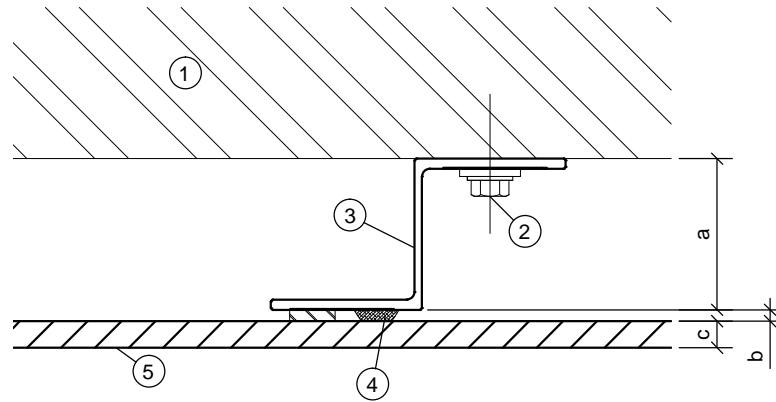
Date: March-21

Drawn: IS

Rev. //

Rev.	//		
------	----	--	--

These drawings are indicative only, for use as a guide. The customer is always responsible for any specific design, structural calculations and calculating exact sizes of rails, sizes & quantities of panels. Any project details and calculations supplied by Architectural Panel Solutions are provided in good faith and should always be checked and approved by the project engineer responsible. Architectural Panel Solutions will not accept any liability should the system be designed / installed incorrectly.



Items	
1	Substrate (By Others)
2	Primary fixing will vary subject to substrate composition*
3	DCS021 Zed Rail
4	Adhesive - refer to manufacturer's instructions
5	Cladding panel

\*Please refer to APS Downer Rainscreen Framing brochure

Dimensions	
a	25-40mm Cavity *
b	Adhesive depth
c	Panel nominal thickness

\* Note! dimension may vary due to the shimming requirement for plumbing and alignment of rails



**ARCHITECTURAL PANEL SOLUTIONS LIMITED**  
 Unit 5, Wainwright Close, Churchfields Industrial Estate,  
 St Leonards-on-Sea, TN38 0LP  
 T: 01424 852641 F: 01424 852797  
 claddings@architecturalpanelsolutions.com  
 www.architecturalpanelsolutions.com

Drawing Title:

DCS021 - INTERMEDIATE SUPPORT DETAIL  
 DECORATIVE BOARDS - ADHESIVE FIX

Drawing Ref:

DCS021-A06

Scale: NTS  
@ A4

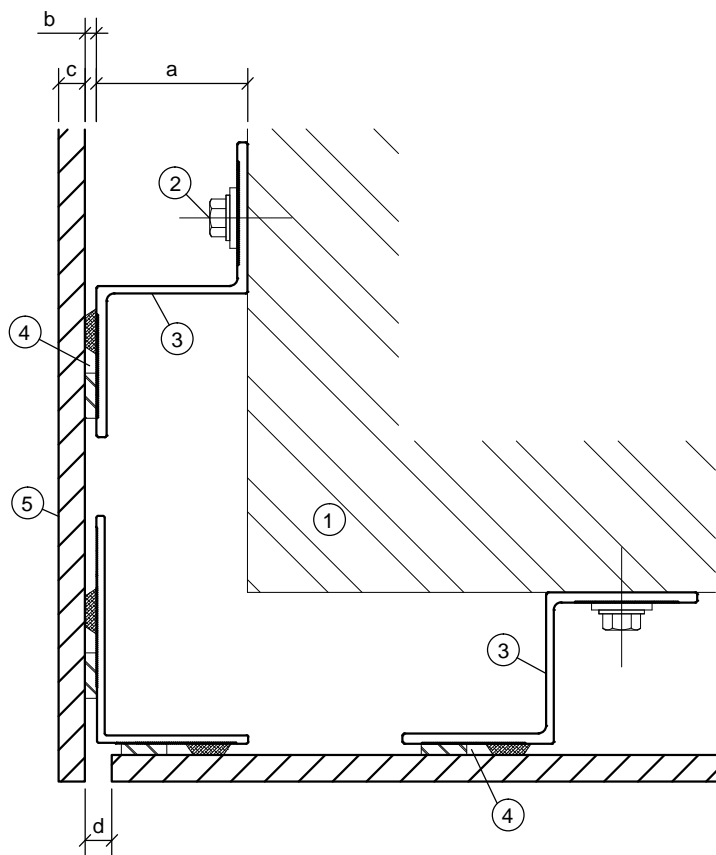
System: DCS021

Date: March-21

Drawn: IS

Rev.	//		
------	----	--	--

These drawings are indicative only, for use as a guide. The customer is always responsible for any specific design, structural calculations and calculating exact sizes of rails, sizes & quantities of panels. Any project details and calculations supplied by Architectural Panel Solutions are provided in good faith and should always be checked and approved by the project engineer responsible. Architectural Panel Solutions will not accept any liability should the system be designed / installed incorrectly.



Items	
1	Substrate (By Others)
2	Primary fixing will vary subject to substrate composition*
3	DCS021 Zed Rail
4	Adhesive - refer to manufacturer's instructions
5	Cladding panel

\*Please refer to APS Downer Rainscreen Framing brochure

Dimensions	
a	25-40mm Cavity *
b	Adhesive depth
c	Panel nominal thickness
d	Panel Joint - Please refer to panel manufacturer.

\* Note! dimension may vary due to the shimming requirement for plumbing and alignment of rails

Rev.	//		
------	----	--	--

**Architectural**  
PANEL SOLUTIONS

**ARCHITECTURAL PANEL SOLUTIONS LIMITED**  
Unit 5, Wainwright Close, Churchfields Industrial Estate,  
St Leonards-on-Sea, TN38 0LP  
T: 01424 852641 F: 01424 852797  
claddings@architecturalpanelsolutions.com  
www.architecturalpanelsolutions.com

Drawing Title:

**DCS021 - EXTERNAL CORNER DETAIL  
DECORATIVE BOARDS - ADHESIVE FIX**

Drawing Ref:

DCS021-A07

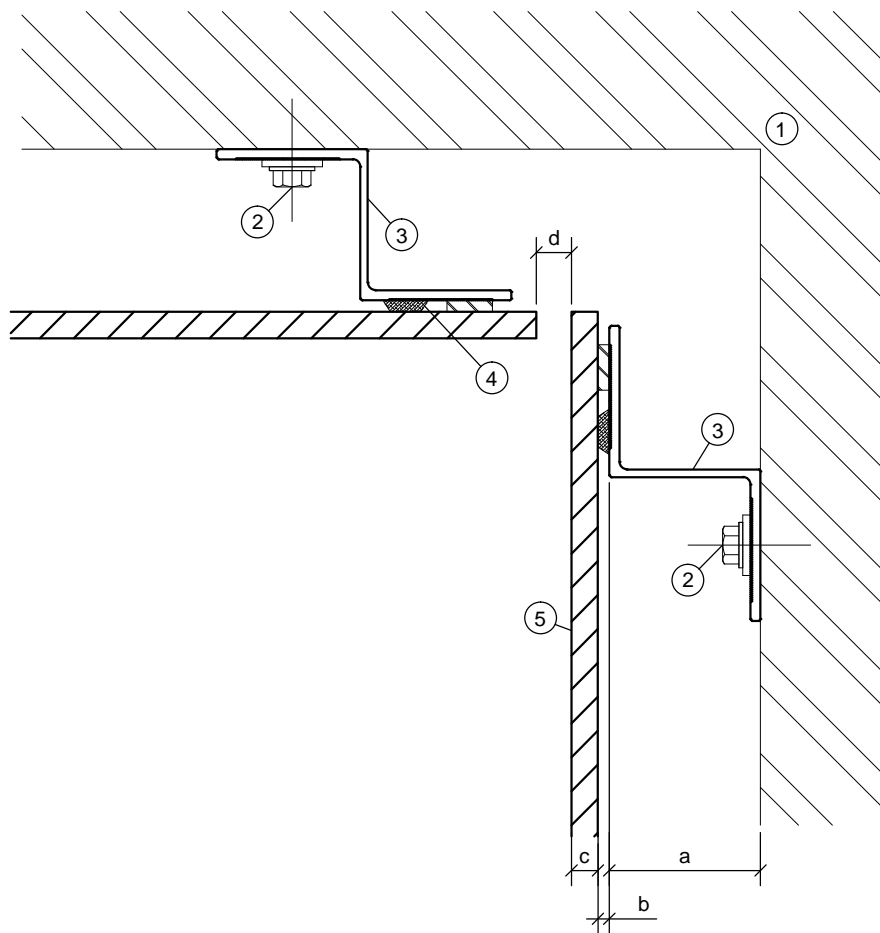
Scale: NTS  
@ A4

System: DCS021

Date: March-21

Drawn: IS

These drawings are indicative only, for use as a guide. The customer is always responsible for any specific design, structural calculations and calculating exact sizes of rails, sizes & quantities of panels. Any project details and calculations supplied by Architectural Panel Solutions are provided in good faith and should always be checked and approved by the project engineer responsible. Architectural Panel Solutions will not accept any liability should the system be designed / installed incorrectly.



Items	
1	Substrate (By Others)
2	Primary fixing will vary subject to substrate composition*
3	DCS021 Zed Rail
4	Adhesive - refer to manufacturer's instructions
5	Cladding panel

\*Please refer to APS Downer Rainscreen Framing brochure

Dimensions	
a	25-40mm Cavity *
b	Adhesive depth
c	Panel nominal thickness
d	Panel Joint - Please refer to panel manufacturer.

\* Note! dimension may vary due to the shimming requirement for plumbing and alignment of rails

**Architectural**  
PANEL SOLUTIONS

**ARCHITECTURAL PANEL SOLUTIONS LIMITED**  
Unit 5, Wainwright Close, Churchfields Industrial Estate,  
St Leonards-on-Sea, TN38 0LP  
T: 01424 852641 F: 01424 852797  
claddings@architecturalpanelsolutions.com  
www.architecturalpanelsolutions.com

Drawing Title:

DCS021 - INTERNAL CORNER DETAIL  
DECORATIVE BOARDS - ADHESIVE FIX

Drawing Ref:

DCS021-A08

Scale: NTS  
@ A4

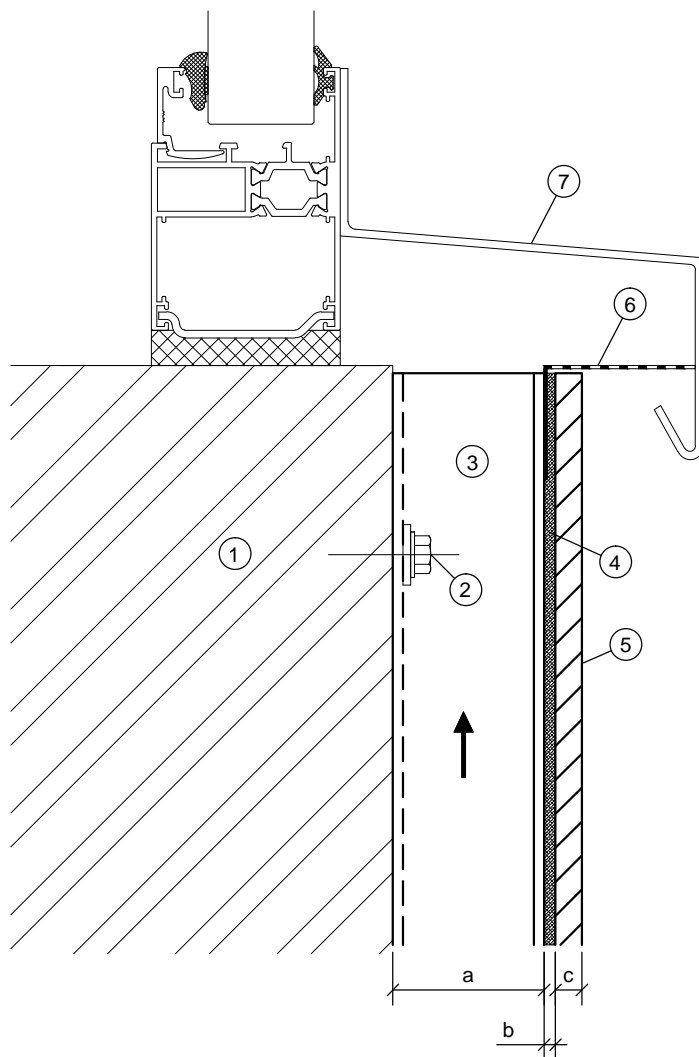
System: DCS021

Date: March-21

Drawn: IS

Rev. //

These drawings are indicative only, for use as a guide. The customer is always responsible for any specific design, structural calculations and calculating exact sizes of rails, sizes & quantities of panels. Any project details and calculations supplied by Architectural Panel Solutions are provided in good faith and should always be checked and approved by the project engineer responsible. Architectural Panel Solutions will not accept any liability should the system be designed / installed incorrectly.



Items	
1	Substrate (By Others)
2	Primary fixing will vary subject to substrate composition*
3	DCS021 Vertical Rail
4	Adhesive - refer to manufacturer's instructions
5	Cladding panel
6	Ventilation Profile *
7	Window detail to project requirement (by others)

\*Please refer to APS Downer Rainscreen Framing brochure

Dimensions	
a	25-40mm Cavity *
b	Adhesive depth
c	Panel nominal thickness

\* Note! dimension may vary due to the shimming requirement for plumbing and alignment of rails

Rev.	//		
------	----	--	--

**Architectural**  
PANEL SOLUTIONS

**ARCHITECTURAL PANEL SOLUTIONS LIMITED**  
Unit 5, Wainwright Close, Churchfields Industrial Estate,  
St Leonards-on-Sea, TN38 0LP  
T: 01424 852641 F: 01424 852797  
claddings@architecturalpanelsolutions.com  
www.architecturalpanelsolutions.com

Drawing Title:

DCS021 - WINDOW CILL DETAIL  
DECORATIVE BOARDS - ADHESIVE FIX

Drawing Ref:

DCS021-A09

Scale:

NTS  
@ A4

System:

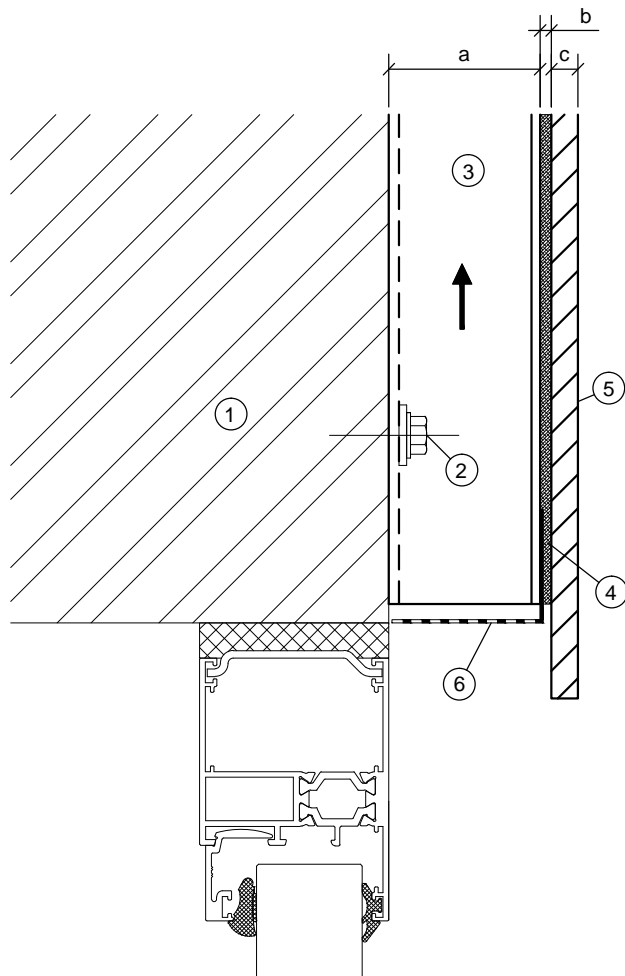
DCS021

Date:

March-21

Drawn: IS

These drawings are indicative only, for use as a guide. The customer is always responsible for any specific design, structural calculations and calculating exact sizes of rails, sizes & quantities of panels. Any project details and calculations supplied by Architectural Panel Solutions are provided in good faith and should always be checked and approved by the project engineer responsible. Architectural Panel Solutions will not accept any liability should the system be designed / installed incorrectly.



Items	
1	Substrate (By Others)
2	Primary fixing will vary subject to substrate composition*
3	DCS021 Vertical Rail
4	Adhesive - refer to manufacturer's instructions
5	Cladding panel
6	Ventilation Profile *
*Please refer to APS Downer Rainscreen Framing brochure	

Dimensions	
a	25-40mm Cavity *
b	Adhesive depth
c	Panel nominal thickness
* Note! dimension may vary due to the shimming requirement for plumbing and alignment of rails	

Rev.	/ /		
------	-----	--	--

**Architectural**  
PANEL SOLUTIONS

**ARCHITECTURAL PANEL SOLUTIONS LIMITED**  
Unit 5, Wainwright Close, Churchfields Industrial Estate,  
St Leonards-on-Sea, TN38 0LP  
T: 01424 852641 F: 01424 852797  
claddings@architecturalpanelsolutions.com  
www.architecturalpanelsolutions.com

Drawing Title:

DCS021 - WINDOW HEAD DETAIL  
DECORATIVE BOARDS - ADHESIVE FIX

Drawing Ref:

DCS021-A10

Scale:

NTS  
@ A4

System:

DCS021

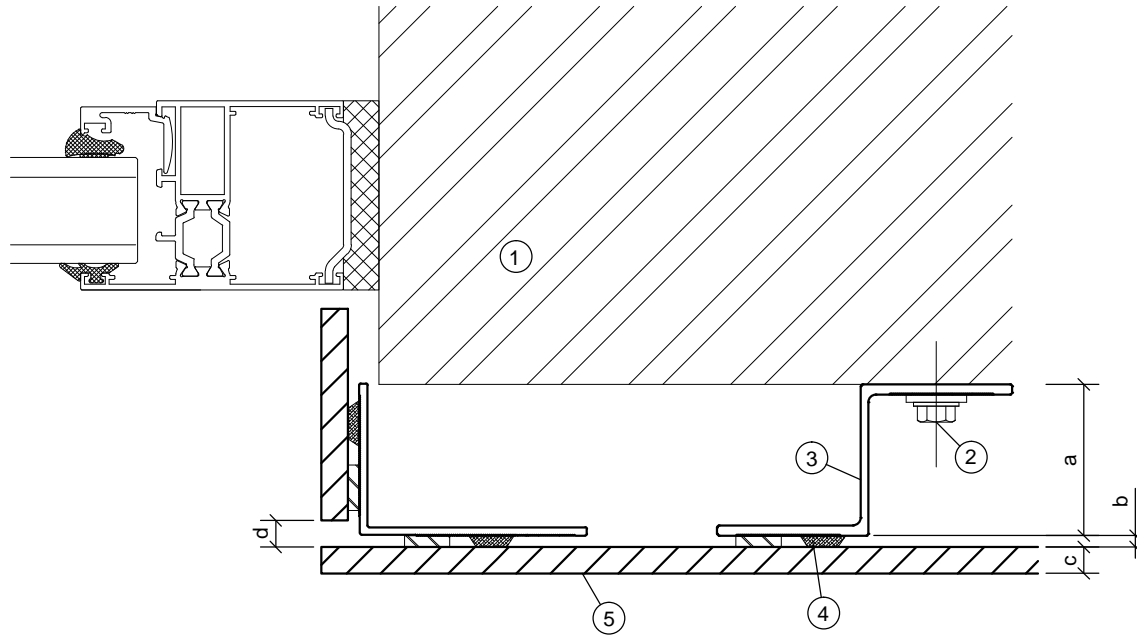
Date:

March-21

Drawn: IS

Architectural Panel Solutions Ltd. reserve the right to amend details at any time without prior notice. Reproduction or disclosure to third parties is strictly prohibited and can only be attained through signed, written consent from APS Ltd.

These drawings are indicative only, for use as a guide. The customer is always responsible for any specific design, structural calculations and calculating exact sizes of rails, sizes & quantities of panels. Any project details and calculations supplied by Architectural Panel Solutions are provided in good faith and should always be checked and approved by the project engineer responsible. Architectural Panel Solutions will not accept any liability should the system be designed / installed incorrectly.



Items	
1	Substrate (By Others)
2	Primary fixing will vary subject to substrate composition*
3	DCS021 Zed Rail
4	Adhesive - refer to manufacturer's instructions
5	Cladding panel

\*Please refer to APS Downer Rainscreen Framing brochure

Dimensions	
a	25-40mm Cavity *
b	Adhesive depth
c	Panel nominal thickness
d	Panel Joint - Please refer to panel manufacturer.

\* Note! dimension may vary due to the shimming requirement for plumbing and alignment of rails



**ARCHITECTURAL PANEL SOLUTIONS LIMITED**  
 Unit 5, Wainwright Close, Churchfields Industrial Estate,  
 St Leonards-on-Sea, TN38 0LP  
 T: 01424 852641 F: 01424 852797  
 claddings@architecturalpanelsolutions.com  
 www.architecturalpanelsolutions.com

Drawing Title:

DCS021 - WINDOW JAMB DETAIL  
 DECORATIVE BOARDS - ADHESIVE FIX

Drawing Ref:

DCS021-A11

Scale:

NTS  
 @ A4

System:

DCS021

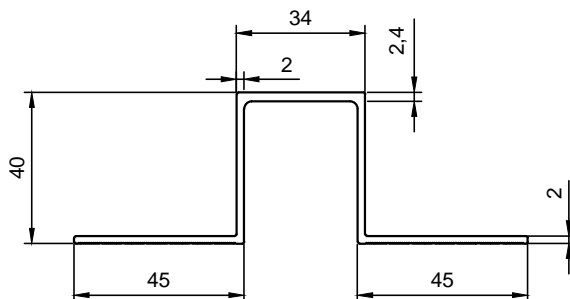
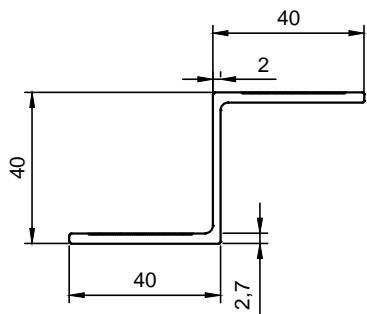
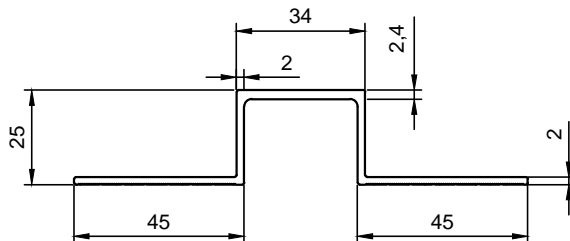
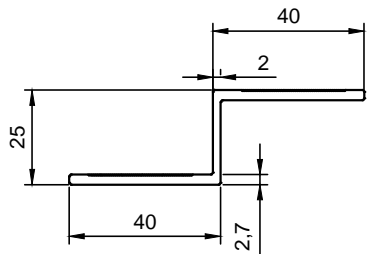
Date:

March-21

Drawn: IS

Rev.	//		
------	----	--	--

These drawings are indicative only, for use as a guide. The customer is always responsible for any specific design, structural calculations and calculating exact sizes of rails, sizes & quantities of panels. Any project details and calculations supplied by Architectural Panel Solutions are provided in good faith and should always be checked and approved by the project engineer responsible. Architectural Panel Solutions will not accept any liability should the system be designed / installed incorrectly.



DCS021 CARRIER RAILS - EXTRUDED  
ALLOY GRADE: 6005 T6

REF	DESCRIPTION	LENGTH
ZED25-3	Zed Carrier Rail	3000
ZED25-6	Zed Carrier Rail	6000
OM25-3	Omega Carrier Rail	3000
OM25-6	Omega Carrier Rail	6000
ZED40-3	Zed Carrier Rail	3000
ZED40-6	Zed Carrier Rail	6000
OM40-3	Omega Carrier Rail	3000
OM40-6	Omega Carrier Rail	6000

Rev.	/ /		
------	-----	--	--



**ARCHITECTURAL PANEL SOLUTIONS LIMITED**  
 Unit 5, Wainwright Close, Churchfields Industrial Estate,  
 St Leonards-on-Sea, TN38 0LP  
 T: 01424 852641 F: 01424 852797  
 claddings@architecturalpanelsolutions.com  
 www.architecturalpanelsolutions.com

Drawing Title:

DCS021 - RAILS

Drawing Ref:

DCS021-RAILS

Scale:

NTS  
@ A4

System:

DCS021

Date:

March-21

Drawn: IS