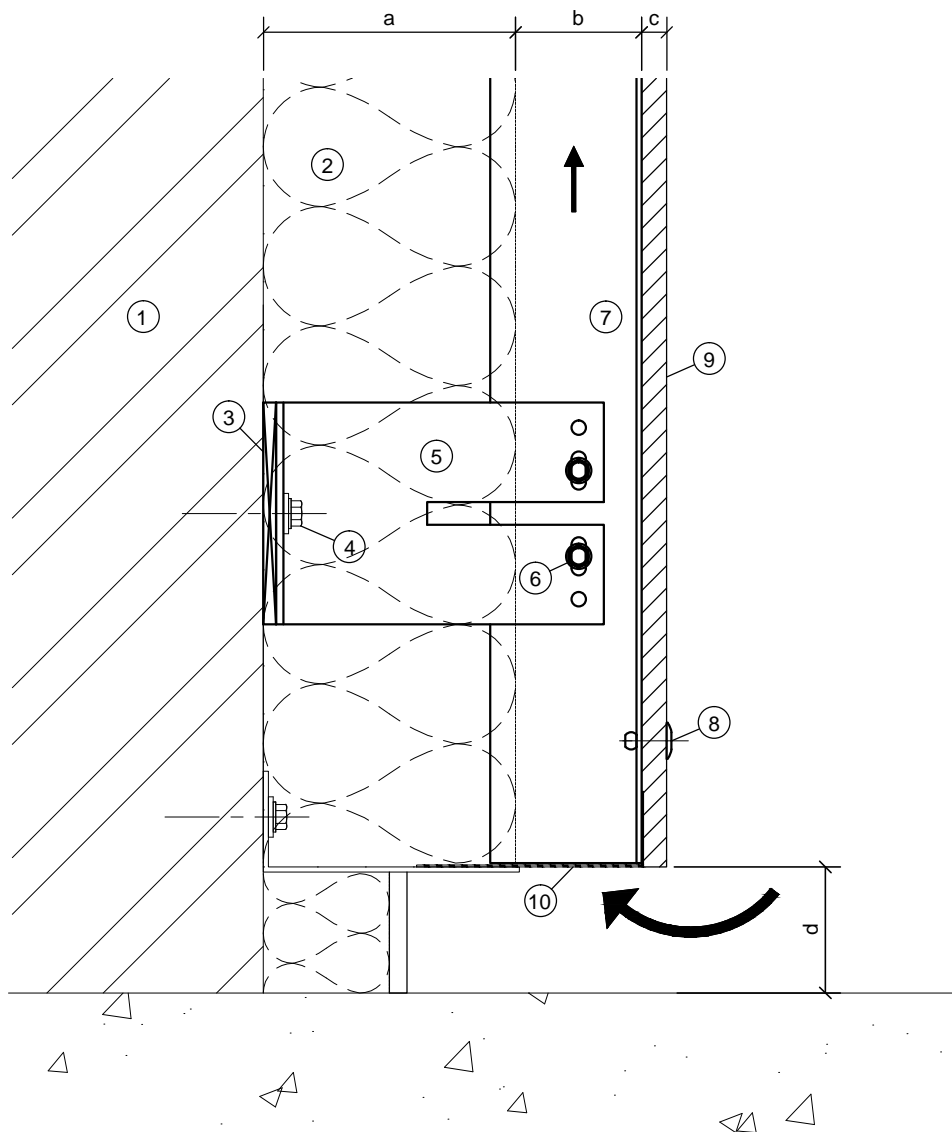


These drawings are indicative only, for use as a guide. The customer is always responsible for any specific design, structural calculations and calculating exact sizes of rails, sizes & quantities of panels. Any project details and calculations supplied by Architectural Panel Solutions are provided in good faith and should always be checked and approved by the project engineer responsible. Architectural Panel Solutions will not accept any liability should the system be designed / installed incorrectly.



Items	
1	Substrate (By Others)
2	Insulation (By Others)
3	DCS031 Isolator Pad
4	Primary fixing will vary subject to substrate composition*
5	DCS031 Single Helping Hand Bracket*
6	FDS 4.8x19mm self-drilling screw
7	DCS031 Vertical Carrier Rail
8	Colour Rivets to match panels *
9	Cladding panel
10	Ventilation Profile *

\*Please refer to APS Downer Rainscreen Framing brochure

Dimensions	
a	Insulation thickness (varies)
b	Ventilation - Please refer to panel manufacturer / local regulations recommendations
c	Panel nominal thickness
d	Base distance - Please refer to panel manufacturer recommendation
a+b	Wall cavity - Please refer to DCS031 Cavity range for suitable helping hand bracket

Rev.	/ /	
------	-----	--

**Architectural**  
PANEL SOLUTIONS

**ARCHITECTURAL PANEL SOLUTIONS LIMITED**  
Unit 5, Wainwright Close, Churchfields Industrial Estate,  
St Leonards-on-Sea, TN38 0LP  
T: 01424 852641 F: 01424 852797  
claddings@architecturalpanelsolutions.com  
www.architecturalpanelsolutions.com

Drawing Title:

**DCS031 - VISIBLE FIX - TYPICAL DETAILS  
BASE DETAIL**

Drawing Ref:

DCS031-F01

Scale:

NTS  
@ A4

System:

DCS031

Date:

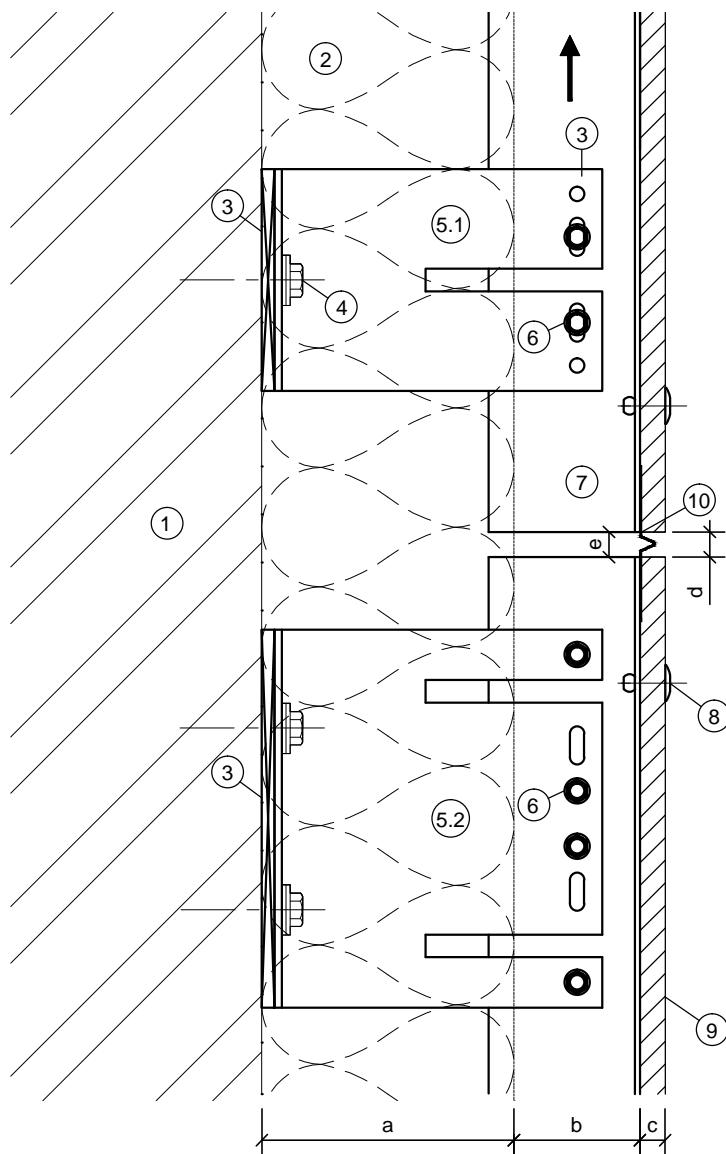
March-21

Drawn:

J.B

Architectural Panel Solutions Ltd. reserve the right to amend details at any time without prior notice. Reproduction or disclosure to third parties is strictly prohibited and can only be attained through signed, written consent from APS Ltd.

These drawings are indicative only, for use as a guide. The customer is always responsible for any specific design, structural calculations and calculating exact sizes of rails, sizes & quantities of panels. Any project details and calculations supplied by Architectural Panel Solutions are provided in good faith and should always be checked and approved by the project engineer responsible. Architectural Panel Solutions will not accept any liability should the system be designed / installed incorrectly.



Items	
1	Substrate (By Others)
2	Insulation (By Others)
3	DCS031 Isolator Pad
4	Primary fixing will vary subject to substrate composition*
5.1	DCS031 Single Helping Hand Bracket*
5.2	DCS031 Double Helping Hand Bracket*
6	FDS 4.8x19mm self-drilling screw
7	DCS031 Vertical Carrier Rail
8	Colour Rivets to match panels
9	Cladding Panel
10	Birds Beak Profile *

\*Please refer to APS Downer Rainscreen Framing brochure

Dimensions	
a	Insulation thickness (varies)
b	Ventilation - Please refer to panel manufacturer / local regulations recommendations
c	Panel nominal thickness
d	Panel Joint - Please refer to panel manufacturer.
e	Rail Joint - Minimum 10mm (cladding panels should not be fixed to two adjacent vertical rails)
a+b	Wall cavity - Please refer to DCS031 Cavity range for suitable helping hand bracket

Rev.	/ /		
------	-----	--	--



**ARCHITECTURAL PANEL SOLUTIONS LIMITED**  
 Unit 5, Wainwright Close, Churchfields Industrial Estate,  
 St Leonards-on-Sea, TN38 0LP  
 T: 01424 852641 F: 01424 852797  
 claddings@architecturalpanelsolutions.com  
 www.architecturalpanelsolutions.com

Drawing Title:

**DCS031 - VISIBLE FIX - TYPICAL DETAILS  
 HORIZONTAL PANEL JOINT DETAIL**

Drawing Ref:

DCS031-F02

Scale:

NTS  
 @ A4

System:

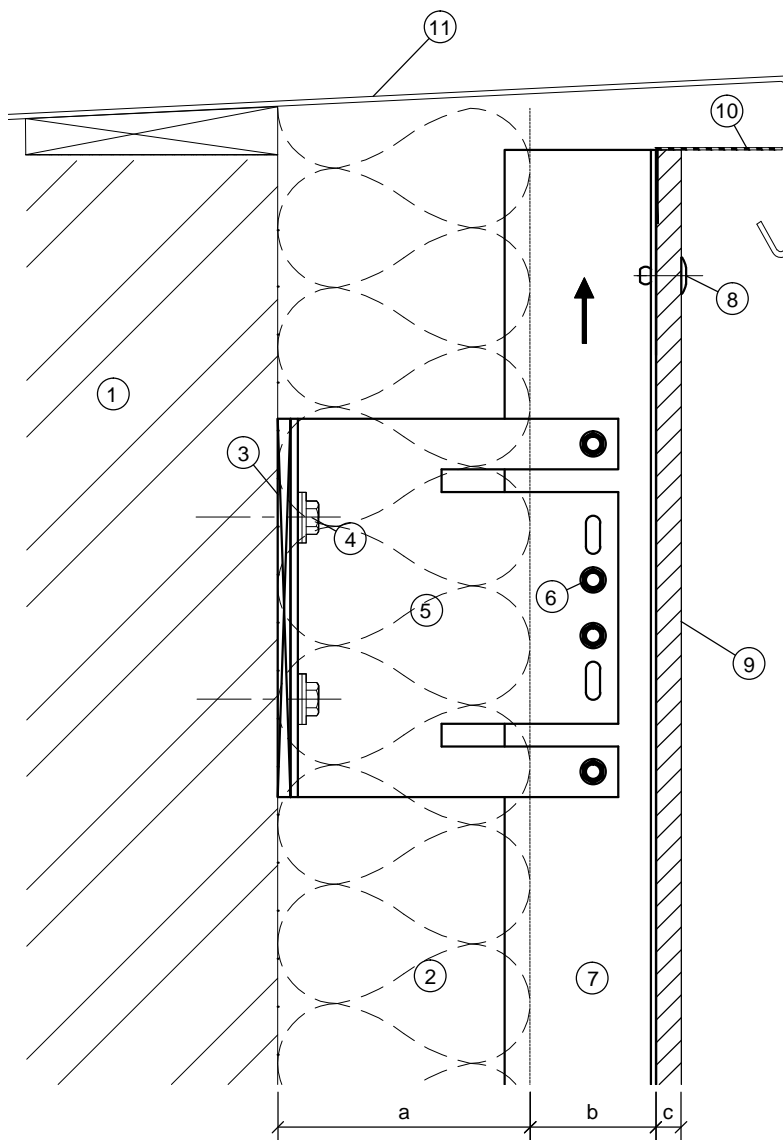
DCS031

Date:

March-21

Drawn: J.B

These drawings are indicative only, for use as a guide. The customer is always responsible for any specific design, structural calculations and calculating exact sizes of rails, sizes & quantities of panels. Any project details and calculations supplied by Architectural Panel Solutions are provided in good faith and should always be checked and approved by the project engineer responsible. Architectural Panel Solutions will not accept any liability should the system be designed / installed incorrectly.



Items	
1	Substrate (By others)
2	Insulation (By others)
3	DCS031 Isolator Pad
4	Primary fixing will vary subject to substrate composition*
5	DCS031 Double Helping Hand wall bracket*
6	FDS 4.8x19mm self-drilling screw
7	DCS031 Vertical Carrier Rail
8	Colour Rivets to match panels
9	Cladding Panel
10	Ventilation Profile *
11	Parapet detail to project requirement (by others)

\*Please refer to APS Downer Rainscreen Framing brochure

Dimensions	
a	Insulation thickness (varies)
b	Ventilation - Please refer to panel manufacturer / local regulations recommendations
c	Panel nominal thickness
a+b	Wall cavity - Please refer to DCS031 Cavity range for suitable helping hand bracket

Rev.	/ /	
------	-----	--

**Architectural**  
PANEL SOLUTIONS

**ARCHITECTURAL PANEL SOLUTIONS LIMITED**  
Unit 5, Wainwright Close, Churchfields Industrial Estate,  
St Leonards-on-Sea, TN38 0LP  
T: 01424 852641 F: 01424 852797  
claddings@architecturalpanelsolutions.com  
www.architecturalpanelsolutions.com

Drawing Title:

**DCS031 - VISIBLE FIX - TYPICAL DETAILS  
GENERIC PARAPET DETAIL**

Drawing Ref:

DCS031-F03

Scale:

NTS  
@ A4

System:

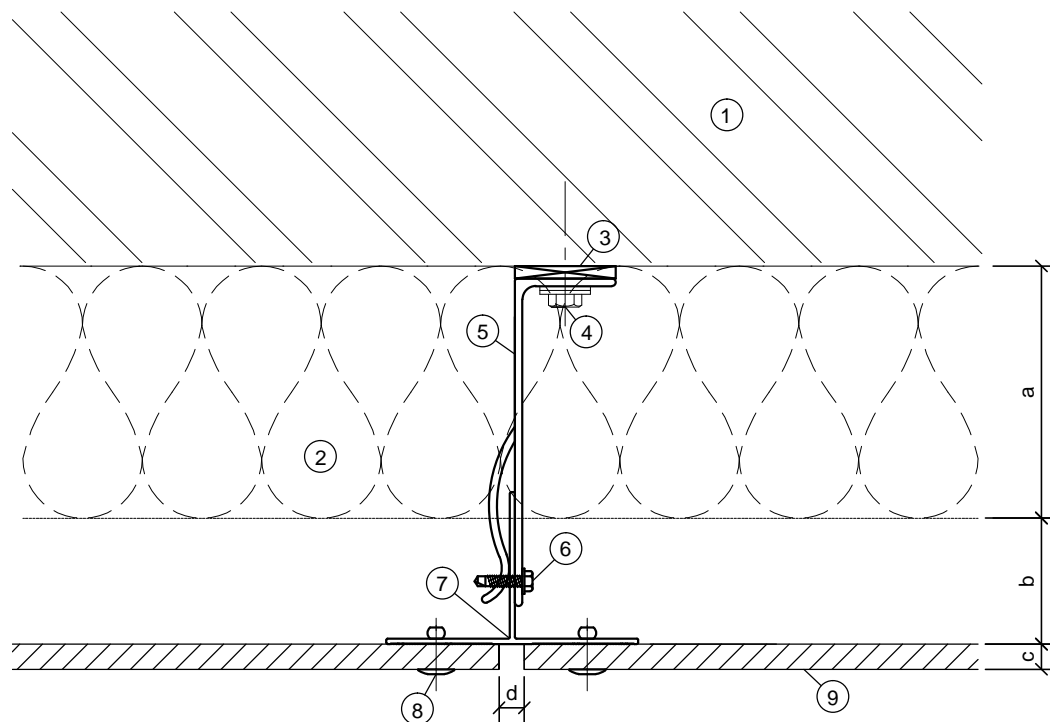
DCS031

Date:

March-21

Drawn: J.B

These drawings are indicative only, for use as a guide. The customer is always responsible for any specific design, structural calculations and calculating exact sizes of rails, sizes & quantities of panels. Any project details and calculations supplied by Architectural Panel Solutions are provided in good faith and should always be checked and approved by the project engineer responsible. Architectural Panel Solutions will not accept any liability should the system be designed / installed incorrectly.



Items	
1	Substrate (By Others)
2	Insulation (By Others)
3	DCS031 Isolator Pad
4	Primary fixing will vary subject to substrate composition*
5	DCS031 Helping Hand Bracket*
6	FDS 4.8x19mm self-drilling screw
7	DCS031 T Rail. Face can be blacked out with PVC tape* or supplied powder coated.
8	Colour Rivets to match panels *
9	Cladding panel

\*Please refer to APS Downer Rainscreen Framing brochure

Dimensions	
a	Insulation thickness (varies)
b	Ventilation - Please refer to panel manufacturer / local regulations recommendations
c	Panel nominal thickness
d	Panel Joint - Please refer to panel manufacturer.
a+b	Wall cavity - Please refer to DCS031 Cavity range for suitable helping hand bracket

**Architectural**  
PANEL SOLUTIONS

**ARCHITECTURAL PANEL SOLUTIONS LIMITED**  
Unit 5, Wainwright Close, Churchfields Industrial Estate,  
St Leonards-on-Sea, TN38 0LP  
T: 01424 852641 F: 01424 852797  
claddings@architecturalpanelsolutions.com  
www.architecturalpanelsolutions.com

Drawing Title:

DCS031 - VISIBLE FIX - TYPICAL DETAILS  
VERTICAL PANEL JOINT DETAIL

Drawing Ref:

DCS031-F04

Scale:

NTS  
@ A4

System:

DCS031

Date:

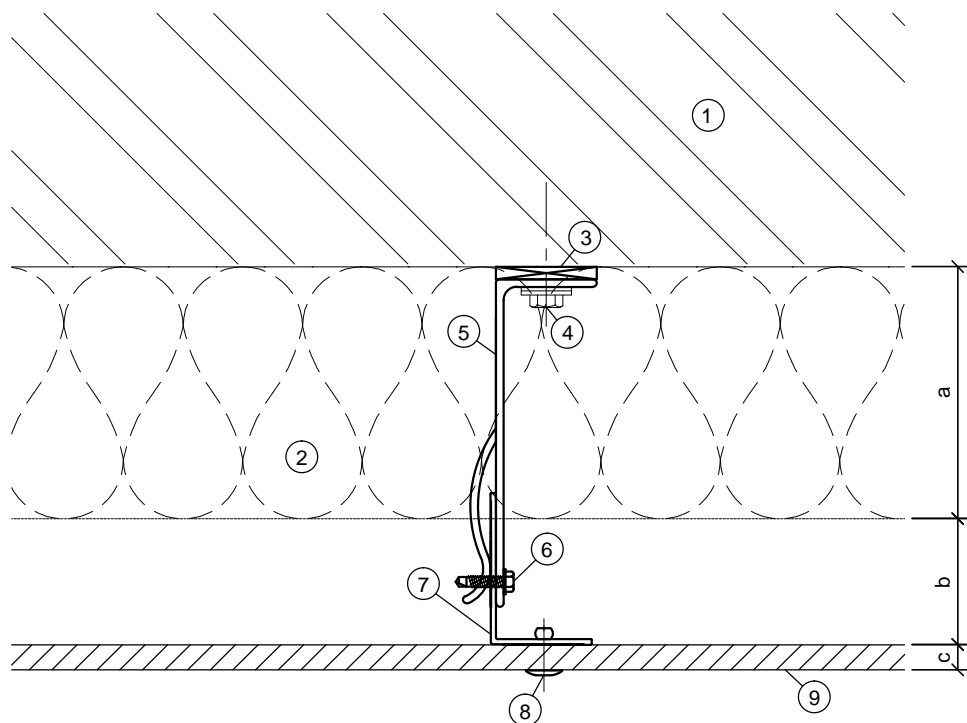
March-21

Drawn:

J.B

Rev.	/ /		
------	-----	--	--

These drawings are indicative only, for use as a guide. The customer is always responsible for any specific design, structural calculations and calculating exact sizes of rails, sizes & quantities of panels. Any project details and calculations supplied by Architectural Panel Solutions are provided in good faith and should always be checked and approved by the project engineer responsible. Architectural Panel Solutions will not accept any liability should the system be designed / installed incorrectly.



Items	
1	Substrate (By Others)
2	Insulation (By Others)
3	DCS031 Isolator Pad
4	Primary fixing will vary subject to substrate composition*
5	DCS031 Helping Hand Bracket*
6	FDS 4.8x19mm self-drilling screw
7	DCS031 60x40mm L Rail
8	Colour Rivets to match panels *
9	Cladding panel
*Please refer to APS Downer Rainscreen Framing brochure	

Dimensions	
a	Insulation thickness (varies)
b	Ventilation - Please refer to panel manufacturer / local regulations recommendations
c	Panel nominal thickness
a+b	Wall cavity - Please refer to DCS031 Cavity range for suitable helping hand bracket

Rev.	/ /		
------	-----	--	--



**ARCHITECTURAL PANEL SOLUTIONS LIMITED**  
 Unit 5, Wainwright Close, Churchfields Industrial Estate,  
 St Leonards-on-Sea, TN38 0LP  
 T: 01424 852641 F: 01424 852797  
 claddings@architecturalpanelsolutions.com  
 www.architecturalpanelsolutions.com

Drawing Title:

**DCS031 - VISIBLE FIX - TYPICAL DETAILS  
 INTERMEDIATE SUPPORT DETAIL**

Drawing Ref:

DCS031-F05

Scale:

NTS  
 @ A4

System:

DCS031

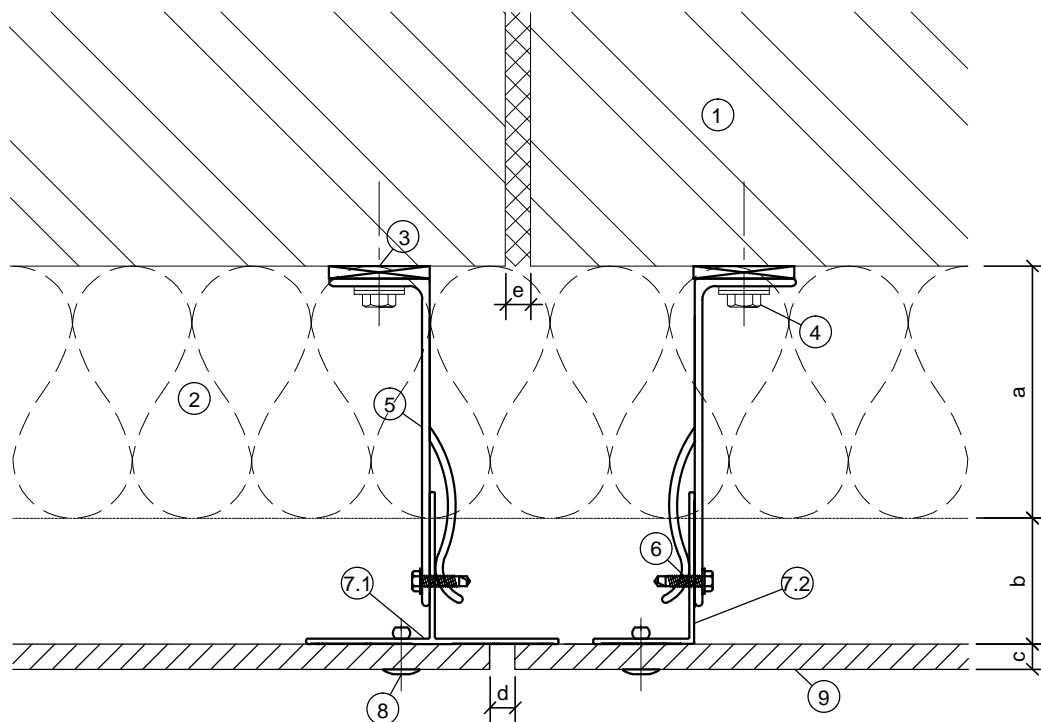
Date:

March-21

Drawn:

J.B

These drawings are indicative only, for use as a guide. The customer is always responsible for any specific design, structural calculations and calculating exact sizes of rails, sizes & quantities of panels. Any project details and calculations supplied by Architectural Panel Solutions are provided in good faith and should always be checked and approved by the project engineer responsible. Architectural Panel Solutions will not accept any liability should the system be designed / installed incorrectly.



Items	
1	Substrate (By Others)
2	Insulation (By Others)
3	DCS031 Isolator Pad
4	Primary fixing will vary subject to substrate composition*
5	DCS031 Helping Hand Bracket*
6	FDS 4.8x19mm self-drilling screw
7.1	DCS031 T Rail. Face can be blacked out with PVC tape* or supplied powder coated.
7.2	DCS031 60x40mm L Rail
8	Colour Rivets to match panels *
9	Cladding panel

\*Please refer to APS Downer Rainscreen Framing brochure

Dimensions	
a	Insulation thickness (varies)
b	Ventilation - Please refer to panel manufacturer / local regulations recommendations
c	Panel nominal thickness
d	Panel Joint - Please refer to panel manufacturer / to match building movement joint
e	Building Structural Movement Joint
a+b	Wall cavity - Please refer to DCS031 Cavity range for suitable helping hand bracket



**ARCHITECTURAL PANEL SOLUTIONS LIMITED**  
 Unit 5, Wainwright Close, Churchfields Industrial Estate,  
 St Leonards-on-Sea, TN38 0LP  
 T: 01424 852641 F: 01424 852797  
 claddings@architecturalpanelsolutions.com  
 www.architecturalpanelsolutions.com

Drawing Title:

DCS031 - VISIBLE FIX - TYPICAL DETAILS  
 BUILDING STRUCTURAL MOVEMENT JOINT DETAIL

Drawing Ref:

DCS031-F06

Scale:

NTS  
 @ A4

System:

DCS031

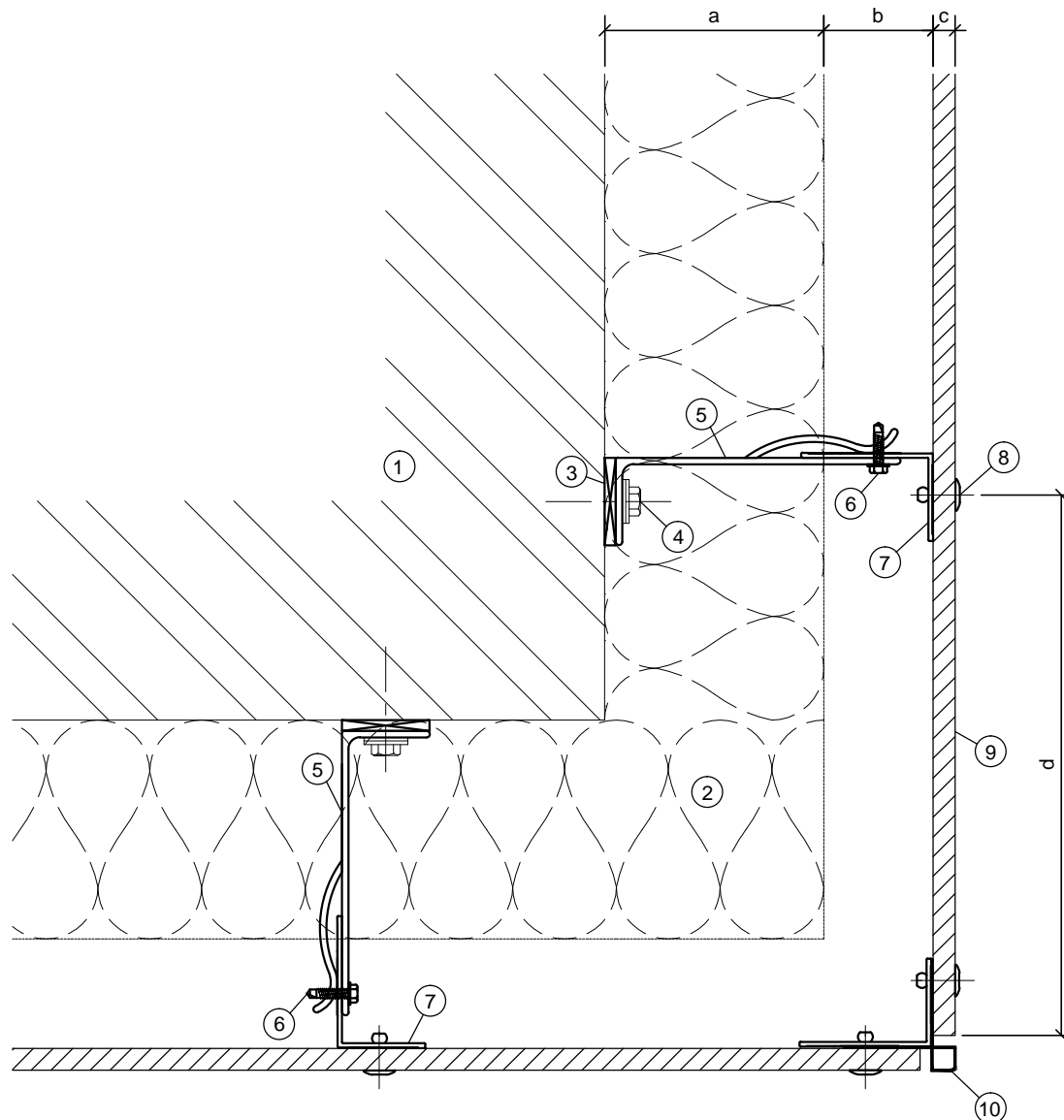
Date:

March-21

Drawn: J.B

Rev.	/ /		
------	-----	--	--

These drawings are indicative only, for use as a guide. The customer is always responsible for any specific design, structural calculations and calculating exact sizes of rails, sizes & quantities of panels. Any project details and calculations supplied by Architectural Panel Solutions are provided in good faith and should always be checked and approved by the project engineer responsible. Architectural Panel Solutions will not accept any liability should the system be designed / installed incorrectly.



Items	
1	Substrate (By Others)
2	Insulation (By Others)
3	DCS031 Isolator Pad
4	Primary fixing will vary subject to substrate composition*
5	DCS031 Helping Hand Bracket*
6	FDS 4.8x19mm self-drilling screw
7	DCS031 60x40mm L Rail
8	Colour Rivets to match panels *
9	Cladding panel
10	External corner profile *

\*Please refer to APS Downer Rainscreen Framing brochure

Dimensions	
a	Insulation thickness (varies)
b	Ventilation - Please refer to panel manufacturer / local regulations recommendations
c	Panel nominal thickness
d	Maximum cantilever - Please refer to panel manufacturer
a+b	Wall cavity - Please refer to DCS031 Cavity range for suitable helping hand bracket

Rev.	/ /		
------	-----	--	--

**Architectural**  
PANEL SOLUTIONS

**ARCHITECTURAL PANEL SOLUTIONS LIMITED**  
Unit 5, Wainwright Close, Churchfields Industrial Estate,  
St Leonards-on-Sea, TN38 0LP  
T: 01424 852641 F: 01424 852797  
claddings@architecturalpanelsolutions.com  
www.architecturalpanelsolutions.com

Drawing Title:

**DCS031 - VISIBLE FIX - TYPICAL DETAILS  
EXTERNAL CORNER DETAIL**

Drawing Ref:

DCS031-F07

Scale:

NTS  
@ A4

System:

DCS031

Date:

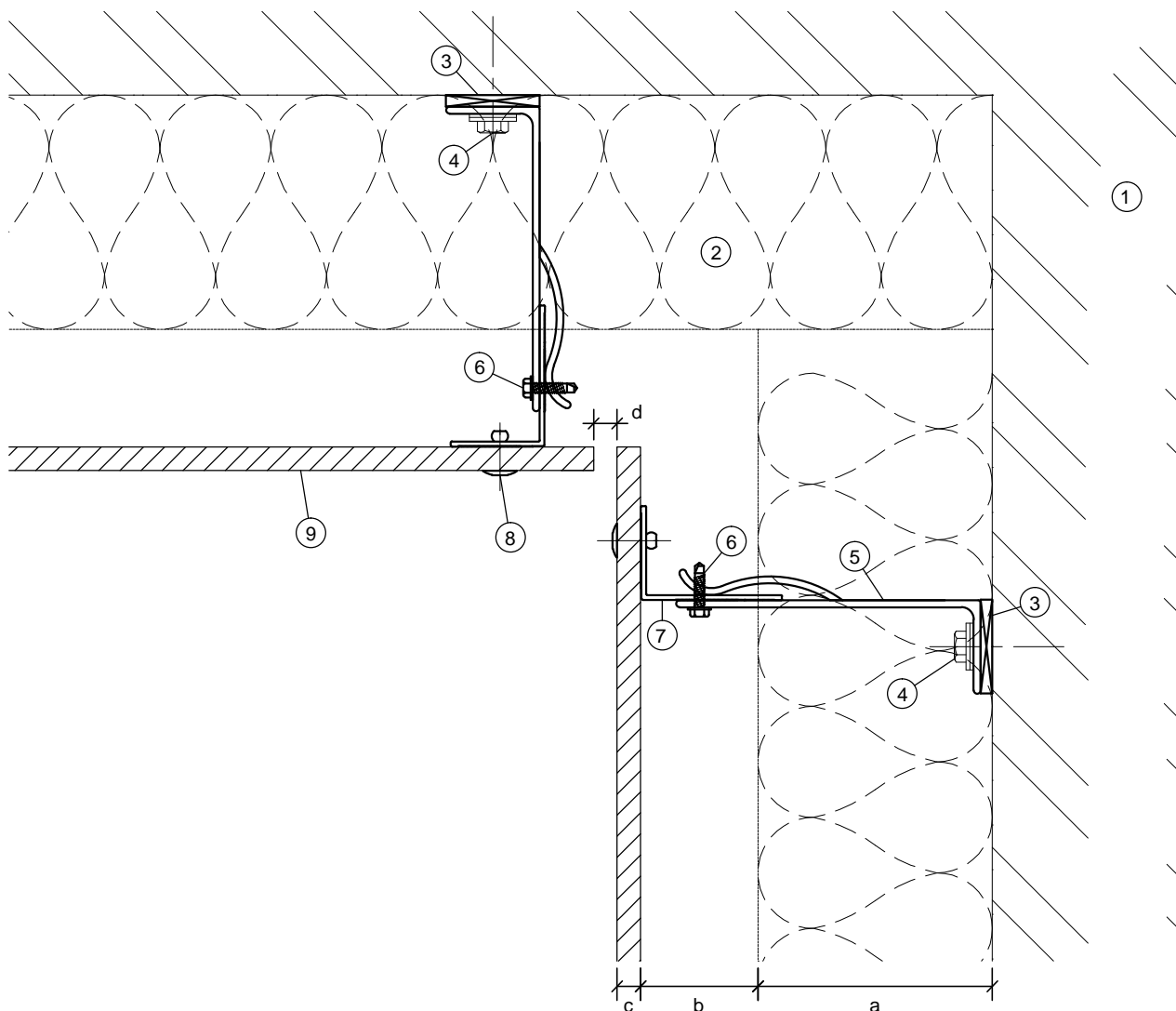
March-21

Drawn:

J.B

Architectural Panel Solutions Ltd. reserve the right to amend details at any time without prior notice. Reproduction or disclosure to third parties is strictly prohibited and can only be attained through signed, written consent from APS Ltd.

These drawings are indicative only, for use as a guide. The customer is always responsible for any specific design, structural calculations and calculating exact sizes of rails, sizes & quantities of panels. Any project details and calculations supplied by Architectural Panel Solutions are provided in good faith and should always be checked and approved by the project engineer responsible. Architectural Panel Solutions will not accept any liability should the system be designed / installed incorrectly.

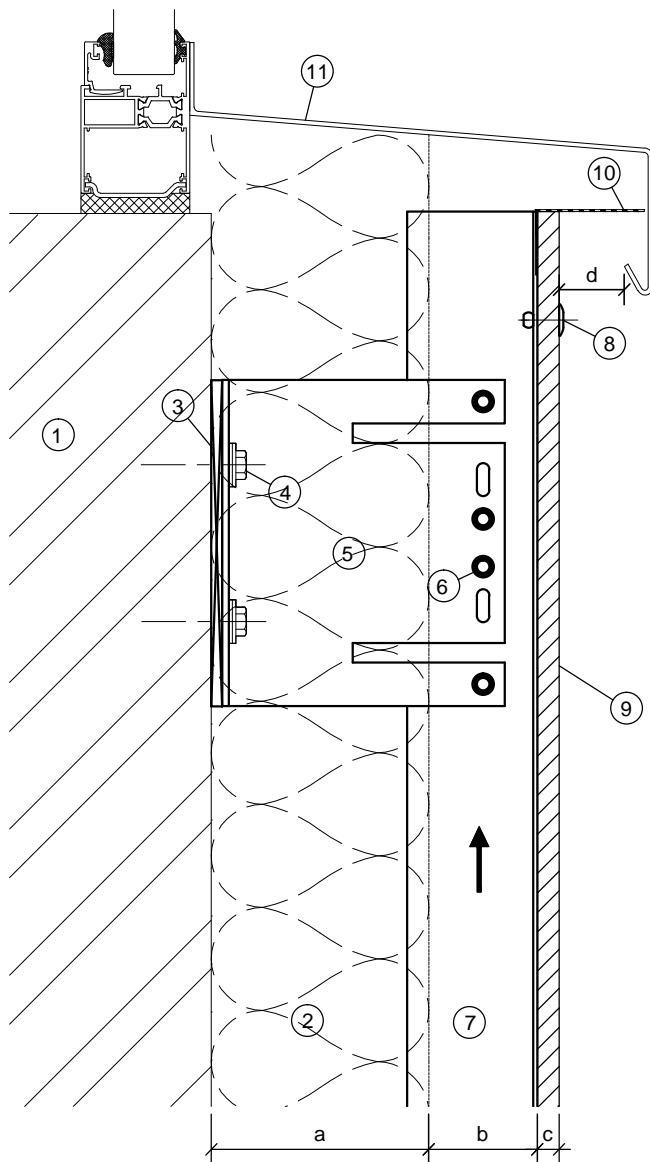


Items	
1	Substrate (By Others)
2	Insulation (By Others)
3	DCS031 Isolator Pad
4	Primary fixing will vary subject to substrate composition*
5	DCS031 Helping Hand Bracket*
6	FDS 4.8x19mm self-drilling screw
7	DCS031 60x40mm L Rail
8	Colour Rivets to match panels *
9	Cladding panel

\*Please refer to APS Downer Rainscreen Framing brochure

Dimensions	
a	Insulation thickness (varies)
b	Ventilation - Please refer to panel manufacturer / local regulations recommendations
c	Panel nominal thickness
d	Panel Joint - Please refer to panel manufacturer.
a+b	Wall cavity - Please refer to DCS031 Cavity range for suitable helping hand bracket

These drawings are indicative only, for use as a guide. The customer is always responsible for any specific design, structural calculations and calculating exact sizes of rails, sizes & quantities of panels. Any project details and calculations supplied by Architectural Panel Solutions are provided in good faith and should always be checked and approved by the project engineer responsible. Architectural Panel Solutions will not accept any liability should the system be designed / installed incorrectly.



Items	
1	Substrate (By others)
2	Insulation (By others)
3	DCS031 Isolator Pad
4	Primary fixing will vary subject to substrate composition*
5	DCS031 Double Helping Hand wall bracket*
6	FDS 4.8x19mm self-drilling screw
7	DCS031 Vertical Carrier Rail
8	Colour Rivets to match panels
9	Cladding Panel
10	Ventilation Profile *
11	Window detail to project requirement (by others)

\*Please refer to APS Downer Rainscreen Framing brochure

Dimensions	
a	Insulation thickness (varies)
b	Ventilation - Please refer to panel manufacturer / local regulations recommendations
c	Panel nominal thickness
d	Ventilation inlet / outlet gaps - please refer to panel manufacturer / local regulations recommendations
a+b	Wall cavity - Please refer to DCS031 Cavity range for suitable helping hand bracket

Rev.	/ /		
------	-----	--	--

**Architectural**  
PANEL SOLUTIONS

**ARCHITECTURAL PANEL SOLUTIONS LIMITED**  
Unit 5, Wainwright Close, Churchfields Industrial Estate,  
St Leonards-on-Sea, TN38 0LP  
T: 01424 852641 F: 01424 852797  
claddings@architecturalpanelsolutions.com  
www.architecturalpanelsolutions.com

Drawing Title:

**DCS031 - VISIBLE FIX - TYPICAL DETAILS  
GENERIC WINDOW SILL DETAIL**

Drawing Ref:

DCS031-F09

Scale:

NTS  
@ A4

System:

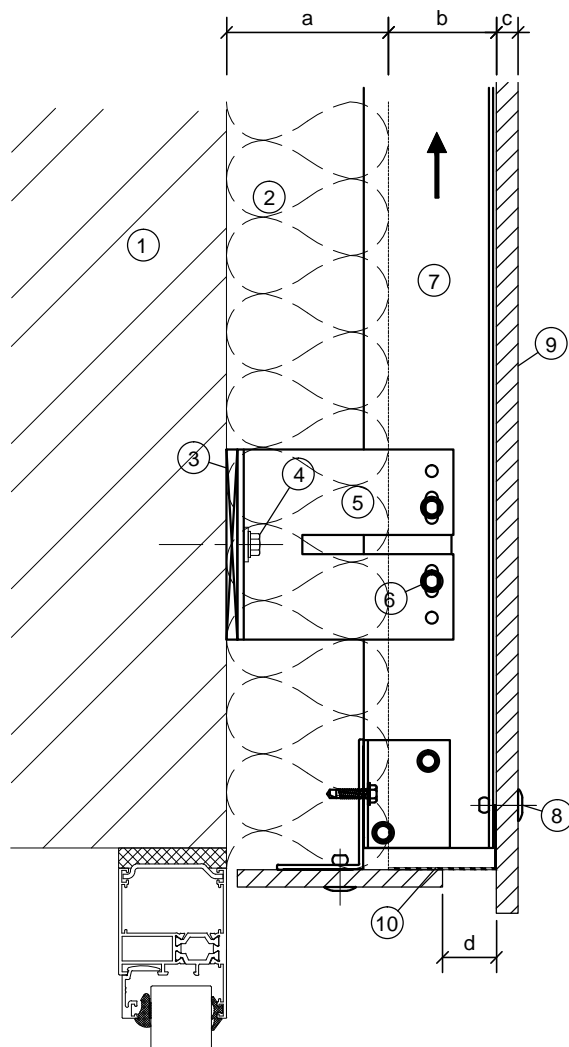
DCS031

Date:

March-21

Drawn: J.B

These drawings are indicative only, for use as a guide. The customer is always responsible for any specific design, structural calculations and calculating exact sizes of rails, sizes & quantities of panels. Any project details and calculations supplied by Architectural Panel Solutions are provided in good faith and should always be checked and approved by the project engineer responsible. Architectural Panel Solutions will not accept any liability should the system be designed / installed incorrectly.



Items	
1	Substrate (By others)
2	Insulation (By others)
3	DCS031 Isolator Pad
4	Primary fixing will vary subject to substrate composition*
5	DCS031 Single Helping Hand wall bracket*
6	FDS 4.8x19mm self-drilling screw
7	DCS031 Vertical Carrier Rail
8	Colour Rivets to match panels
9	Cladding Panel
10	Ventilation Profile *

\*Please refer to APS Downer Rainscreen Framing brochure

Dimensions	
a	Insulation thickness (varies)
b	Ventilation - Please refer to panel manufacturer / local regulations recommendations
c	Panel nominal thickness
d	Ventilation inlet / outlet gaps - please refer to panel manufacturer / local regulations recommendations
a+b	Wall cavity - Please refer to DCS031 Cavity range for suitable helping hand bracket

Rev.	/ /	
------	-----	--

**Architectural**  
PANEL SOLUTIONS

**ARCHITECTURAL PANEL SOLUTIONS LIMITED**  
Unit 5, Wainwright Close, Churchfields Industrial Estate,  
St Leonards-on-Sea, TN38 0LP  
T: 01424 852641 F: 01424 852797  
claddings@architecturalpanelsolutions.com  
www.architecturalpanelsolutions.com

Drawing Title:

**DCS031 - VISIBLE FIX - TYPICAL DETAILS  
WINDOW HEAD DETAIL**

Drawing Ref:

DCS031-F10

Scale:

NTS  
@ A4

System:

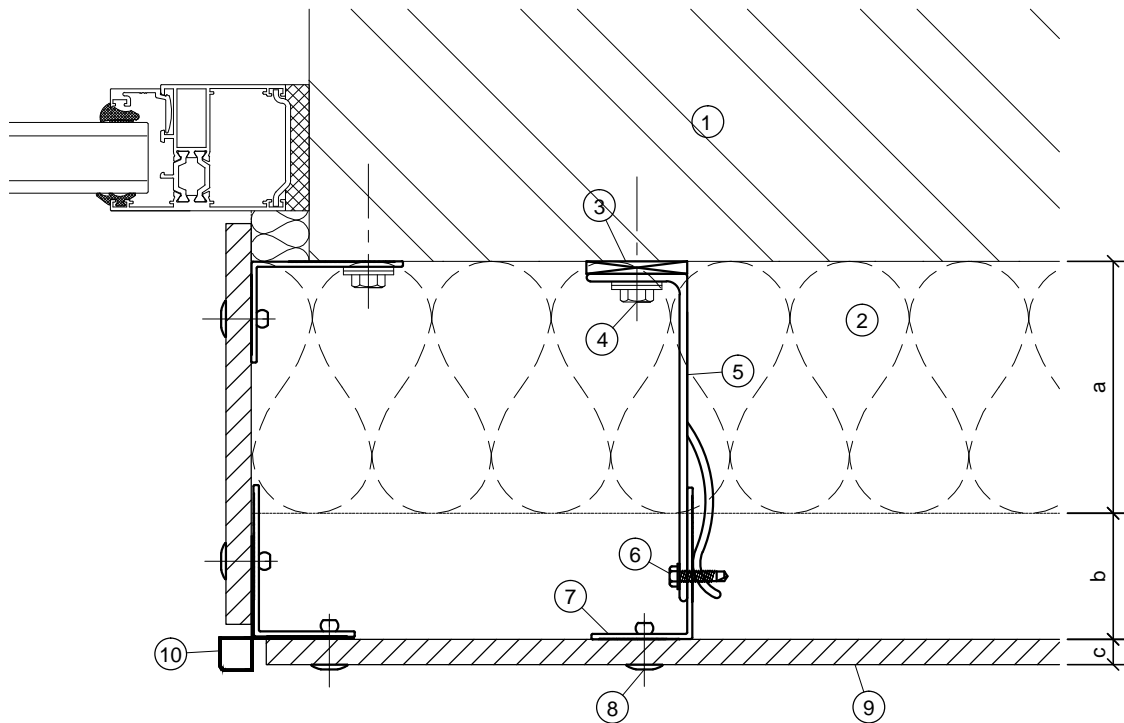
DCS031

Date:

March-21

Drawn: J.B

These drawings are indicative only, for use as a guide. The customer is always responsible for any specific design, structural calculations and calculating exact sizes of rails, sizes & quantities of panels. Any project details and calculations supplied by Architectural Panel Solutions are provided in good faith and should always be checked and approved by the project engineer responsible. Architectural Panel Solutions will not accept any liability should the system be designed / installed incorrectly.



Items	
1	Substrate (By others)
2	Insulation (By others)
3	DCS031 Isolator Pad
4	Primary fixing will vary subject to substrate composition*
5	DCS031 Helping Hand wall bracket*
6	FDS 4.8x19mm self-drilling screw
7	DCS031 60x40mm L Rail
8	Colour Rivets to match panels
9	Cladding Panel
10	External corner profile *

\*Please refer to APS Downer Rainscreen Framing brochure

Dimensions	
a	Insulation thickness (varies)
b	Ventilation - Please refer to panel manufacturer / local regulations recommendations
c	Panel nominal thickness
a+b	Wall cavity - Please refer to DCS031 Cavity range for suitable helping hand bracket

Rev.	/ /	
------	-----	--



**ARCHITECTURAL PANEL SOLUTIONS LIMITED**  
 Unit 5, Wainwright Close, Churchfields Industrial Estate,  
 St Leonards-on-Sea, TN38 0LP  
 T: 01424 852641 F: 01424 852797  
 claddings@architecturalpanelsolutions.com  
 www.architecturalpanelsolutions.com

Drawing Title:

**DCS031 - VISIBLE FIX - TYPICAL DETAILS  
 WINDOW JAMB DETAIL**

Drawing Ref:

DCS031-F11

Scale:

NTS  
 @ A4

System:

DCS031

Date:

March-21

Drawn:

J.B