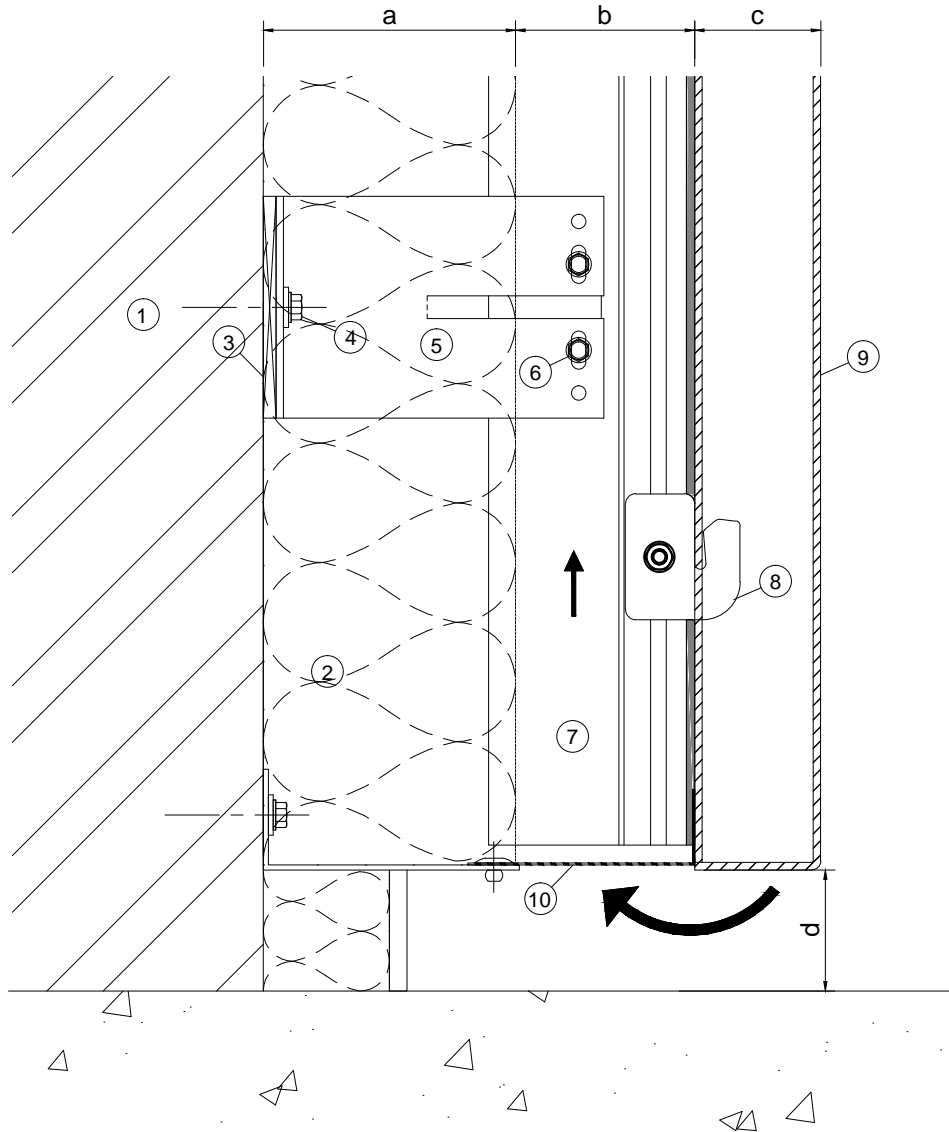


These drawings are indicative only, for use as a guide. The customer is always responsible for any specific design, structural calculations and calculating exact sizes of rails, sizes & quantities of panels. Any project details and calculations supplied by Architectural Panel Solutions are provided in good faith and should always be checked and approved by the project engineer responsible. Architectural Panel Solutions will not accept any liability should the system be designed / installed incorrectly.



Items	
1	Substrate (By Others)
2	Insulation (By Others)
3	DCS031 Isolator Pad
4	Primary fixing will vary subject to substrate composition*
5	DCS031 Single Helping Hand Bracket*
6	FDS 4.8x19mm self-drilling screw
7	DCS033 Vertical Carrier Rail
8	DCS033 Panel Carrier Hook
9	Cladding panel
10	Ventilation Profile *

*Please refer to APS Downer Rainscreen Framing brochure

Dimensions	
a	Insulation thickness (varies)
b	Ventilation - Please refer to panel manufacturer / local regulations recommendations
c	Panel nominal thickness
d	Base distance - Please refer to panel manufacturer recommendation
a+b	Wall cavity - Please refer to DCS033 Cavity range for suitable helping hand bracket

Rev.	/ /	
------	-----	--



ARCHITECTURAL PANEL SOLUTIONS LIMITED
 Unit 5, Wainwright Close, Churchfields Industrial Estate,
 St Leonards-on-Sea, TN38 0LP
 T: 01424 852641 F: 01424 852797
 claddings@architecturalpanelsolutions.com
 www.architecturalpanelsolutions.com

Drawing Title:

**DCS033 - HOOK ON PANELS - TYPICAL DETAILS
 BASE DETAIL**

Drawing Ref:

DCS033-01

Scale:

NTS
 @ A4

System:

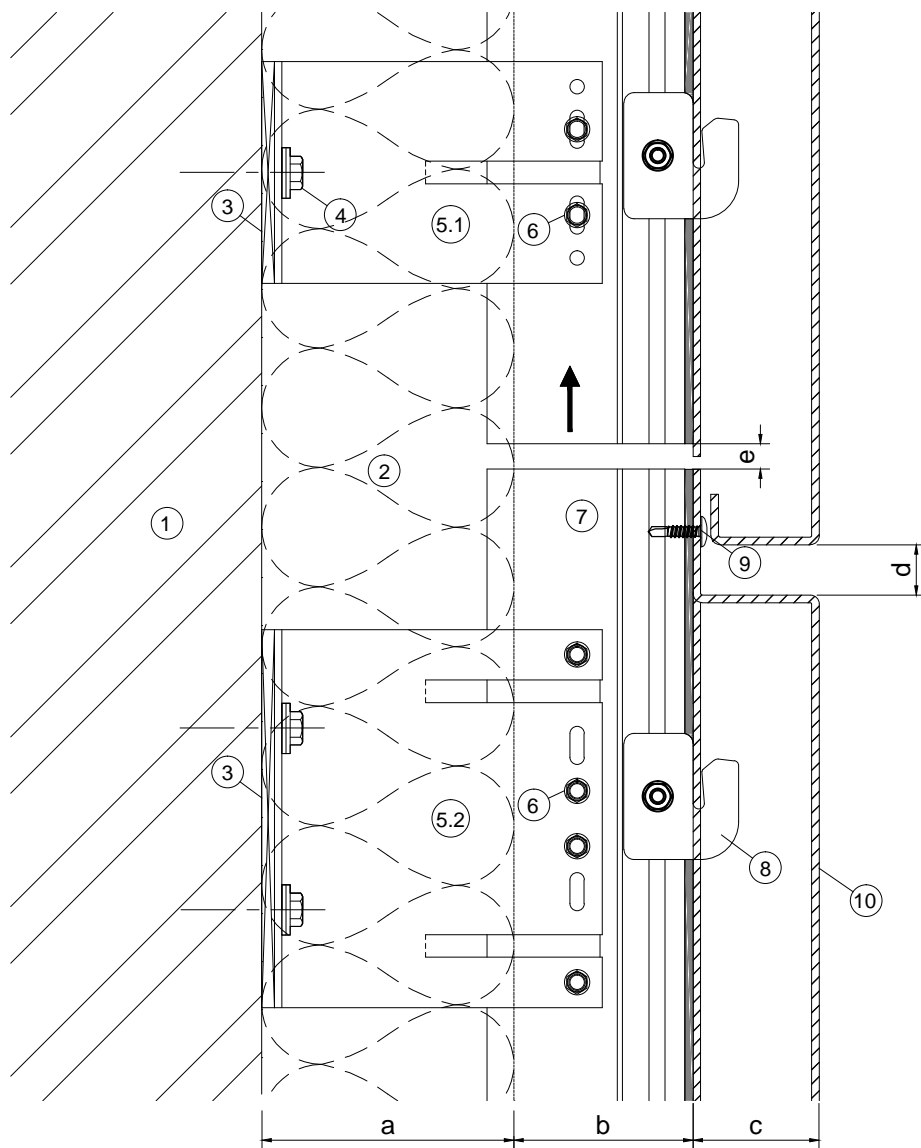
DCS033

Date:

Sept-23

Drawn: J.B.

These drawings are indicative only, for use as a guide. The customer is always responsible for any specific design, structural calculations and calculating exact sizes of rails, sizes & quantities of panels. Any project details and calculations supplied by Architectural Panel Solutions are provided in good faith and should always be checked and approved by the project engineer responsible. Architectural Panel Solutions will not accept any liability should the system be designed / installed incorrectly.



Items	
1	Substrate (By Others)
2	Insulation (By Others)
3	DCS031 Isolator Pad
4	Primary fixing will vary subject to substrate composition*
5.1	DCS031 Single Helping Hand Bracket*
5.2	DCS031 Double Helping Hand Bracket*
6	FDS 4.8x19mm self-drilling screw
7	DCS033 Vertical Carrier Rail
8	DCS033 Panel Carrier Hook
9	Anti-lift locking Screw
10	Cladding Panel

*Please refer to APS Downer Rainscreen Framing brochure

Dimensions	
a	Insulation thickness (varies)
b	Ventilation - Please refer to panel manufacturer / local regulations recommendations
c	Panel nominal thickness
d	Panel Joint - Please refer to panel manufacturer.
e	Rail Joint - Minimum 10mm (cladding panels should not be fixed to two adjacent vertical rails)
a+b	Wall cavity - Please refer to DCS033 Cavity range for suitable helping hand bracket



ARCHITECTURAL PANEL SOLUTIONS LIMITED
 Unit 5, Wainwright Close, Churchfields Industrial Estate,
 St Leonards-on-Sea, TN38 0LP
 T: 01424 852641 F: 01424 852797
 claddings@architecturalpanelsolutions.com
 www.architecturalpanelsolutions.com

Drawing Title:

DCS033 - HOOK ON PANELS - TYPICAL DETAILS
 HORIZONTAL PANEL JOINT DETAIL

Drawing Ref:

DCS033-02

Scale:

NTS
 @ A4

System:

DCS033

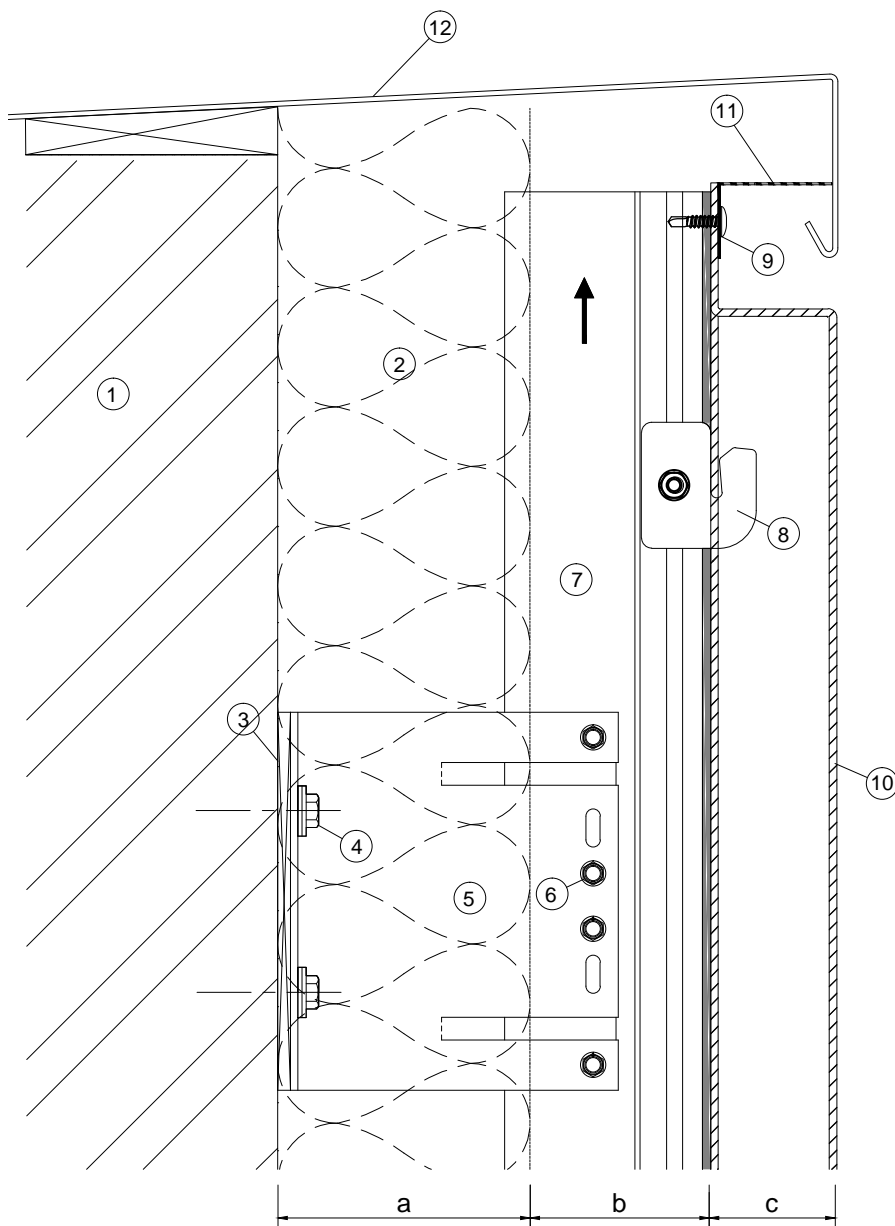
Date:

Sept-23

Drawn: JB

Rev.	/ /	
------	-----	--

These drawings are indicative only, for use as a guide. The customer is always responsible for any specific design, structural calculations and calculating exact sizes of rails, sizes & quantities of panels. Any project details and calculations supplied by Architectural Panel Solutions are provided in good faith and should always be checked and approved by the project engineer responsible. Architectural Panel Solutions will not accept any liability should the system be designed / installed incorrectly.



Items	
1	Substrate (By others)
2	Insulation (By others)
3	DCS031 Isolator Pad
4	Primary fixing will vary subject to substrate composition*
5	DCS031 Double Helping Hand wall bracket*
6	FDS 4.8x19mm self-drilling screw
7	DCS033 Vertical Carrier Rail
8	DCS033 Panel Carrier Hook
9	Anti-lift locking Screw
10	Cladding Panel
11	Ventilation Profile *
12	Parapet detail to project requirement (by others)

*Please refer to APS Downer Rainscreen Framing brochure

Dimensions	
a	Insulation thickness (varies)
b	Ventilation - Please refer to panel manufacturer / local regulations recommendations
c	Panel nominal thickness
a+b	Wall cavity - Please refer to DCS033 Cavity range for suitable helping hand bracket

Rev.	/ /		
------	-----	--	--



ARCHITECTURAL PANEL SOLUTIONS LIMITED
 Unit 5, Wainwright Close, Churchfields Industrial Estate,
 St Leonards-on-Sea, TN38 0LP
 T: 01424 852641 F: 01424 852797
 claddings@architecturalpanelsolutions.com
 www.architecturalpanelsolutions.com

Drawing Title:

**DCS033 - HOOK ON PANELS - TYPICAL DETAILS
 GENERIC PARAPET DETAIL**

Drawing Ref:

DCS033-03

Scale:

NTS
 @ A4

System:

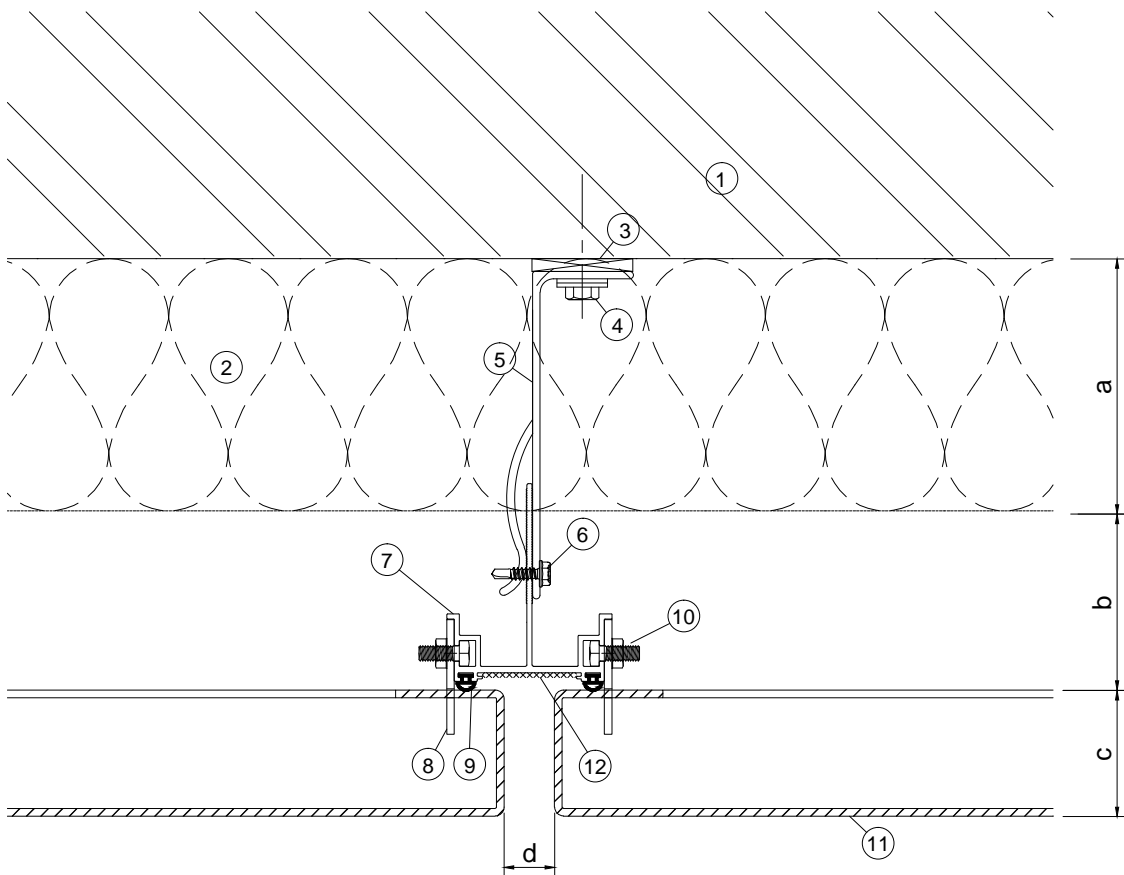
DCS033

Date:

Sept-23

Drawn: JB

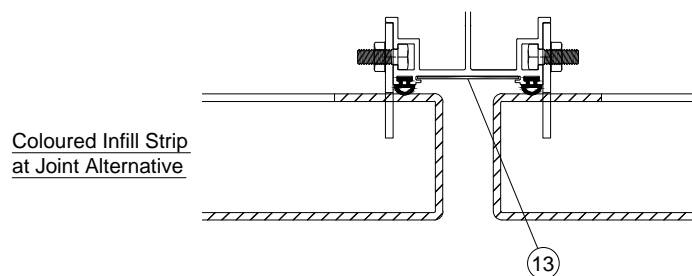
These drawings are indicative only, for use as a guide. The customer is always responsible for any specific design, structural calculations and calculating exact sizes of rails, sizes & quantities of panels. Any project details and calculations supplied by Architectural Panel Solutions are provided in good faith and should always be checked and approved by the project engineer responsible. Architectural Panel Solutions will not accept any liability should the system be designed / installed incorrectly.



Items	
1	Substrate (By Others)
2	Insulation (By Others)
3	DCS031 Isolator Pad
4	Primary fixing will vary subject to substrate composition*
5	DCS031 Helping Hand Bracket*
6	FDS 4.8x19mm self-drilling screw
7	DCS033 Vertical Carrier Rail. Face can be blacked out with PVC tape* or supplied powder coated.
8	DCS033 Panel Carrier Hook
9	DCS033 Anti-rattle Strip
10	M6 x 16 A4 SS Set screw & self locking nut
11	Cladding panel
12	Optional PPC Coloured Rail Face
13	Coloured Aluminium Infill Strip

*Please refer to APS Downer Rainscreen Framing brochure

Dimensions	
a	Insulation thickness (varies)
b	Ventilation - Please refer to panel manufacturer / local regulations recommendations
c	Panel nominal thickness
d	Panel Joint - Please refer to panel manufacturer.
a+b	Wall cavity - Please refer to DCS033 Cavity range for suitable helping hand bracket



Rev.	/ /		
------	-----	--	--

DOWNER
ORIGINAL HELPING HAND SYSTEM

ARCHITECTURAL PANEL SOLUTIONS LIMITED
Unit 5, Wainwright Close, Churchfields Industrial Estate,
St Leonards-on-Sea, TN38 0LP
T: 01424 852641 F: 01424 852797
claddings@architecturalpanelsolutions.com
www.architecturalpanelsolutions.com

Drawing Title:

DCS033 - HOOK ON PANELS - TYPICAL DETAILS
VERTICAL PANEL JOINT DETAIL

Drawing Ref:

DCS033-04

Scale:

NTS
@ A4

System:

DCS033

Date:

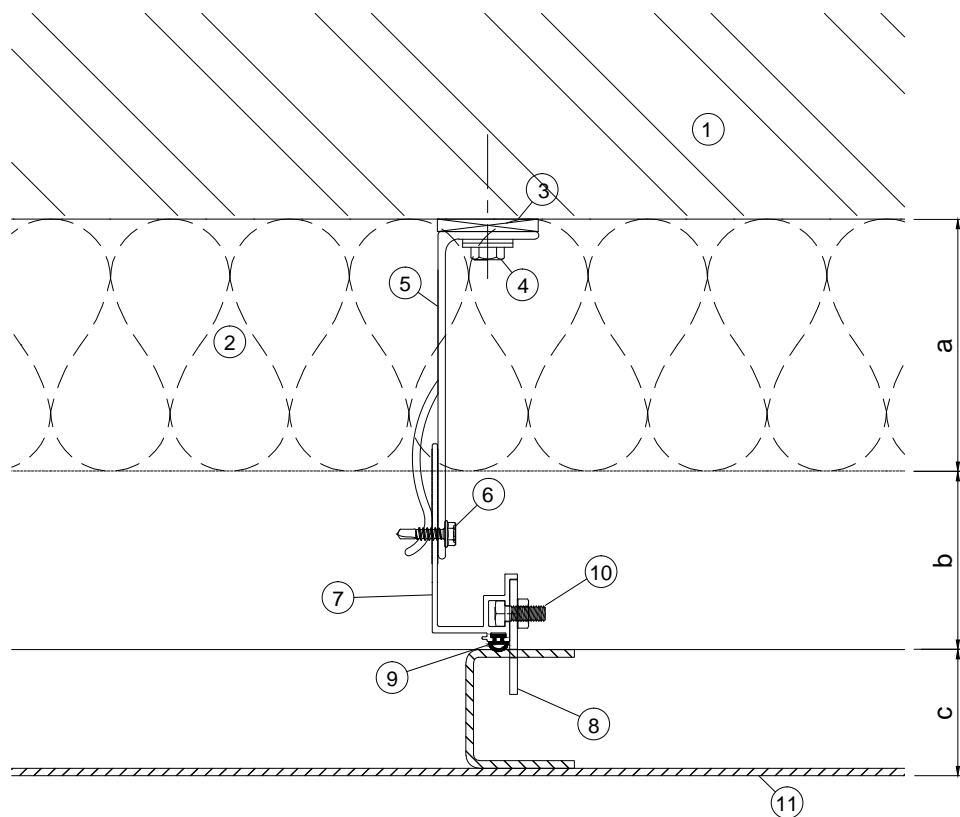
Sept-23

Drawn:

JB

Architectural Panel Solutions Ltd. reserve the right to amend details at any time without prior notice. Reproduction or disclosure to third parties is strictly prohibited and can only be attained through signed, written consent from APS Ltd.

These drawings are indicative only, for use as a guide. The customer is always responsible for any specific design, structural calculations and calculating exact sizes of rails, sizes & quantities of panels. Any project details and calculations supplied by Architectural Panel Solutions are provided in good faith and should always be checked and approved by the project engineer responsible. Architectural Panel Solutions will not accept any liability should the system be designed / installed incorrectly.



Items	
1	Substrate (By Others)
2	Insulation (By Others)
3	DCS031 Isolator Pad
4	Primary fixing will vary subject to substrate composition*
5	DCS031 Helping Hand Bracket*
6	FDS 4.8x19mm self-drilling screw
7	DCS033 Vertical Carrier Half Rail
8	DCS033 Panel Carrier Hook
9	DCS033 Anti-rattle Strip
10	M6 x 16 A4 SS Set screw & self locking nut
11	Cladding panel

*Please refer to APS Downer Rainscreen Framing brochure

Dimensions	
a	Insulation thickness (varies)
b	Ventilation - Please refer to panel manufacturer / local regulations recommendations
c	Panel nominal thickness
a+b	Wall cavity - Please refer to DCS033 Cavity range for suitable helping hand bracket

Rev.	/ /		
------	-----	--	--

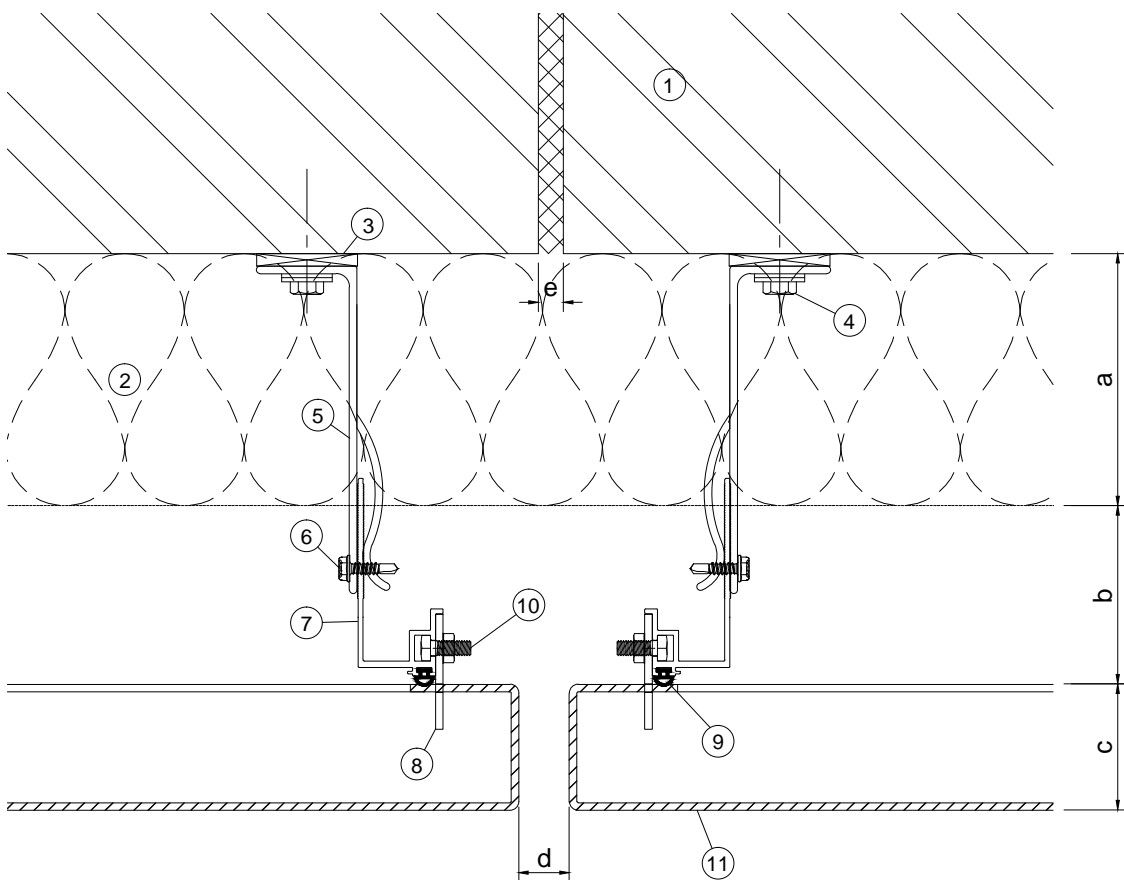


ARCHITECTURAL PANEL SOLUTIONS LIMITED
 Unit 5, Wainwright Close, Churchfields Industrial Estate,
 St Leonards-on-Sea, TN38 0LP
 T: 01424 852641 F: 01424 852797
 claddings@architecturalpanelsolutions.com
 www.architecturalpanelsolutions.com

Drawing Title:	DCS033 - HOOK ON PANELS - TYPICAL DETAILS INTERMEDIATE SUPPORT DETAIL								
Drawing Ref:	DCS033-05	Scale:	NTS @ A4	System:	DCS033	Date:	Sept-23	Drawn:	JB

Architectural Panel Solutions Ltd. reserve the right to amend details at any time without prior notice. Reproduction or disclosure to third parties is strictly prohibited and can only be attained through signed, written consent from APS Ltd.

These drawings are indicative only, for use as a guide. The customer is always responsible for any specific design, structural calculations and calculating exact sizes of rails, sizes & quantities of panels. Any project details and calculations supplied by Architectural Panel Solutions are provided in good faith and should always be checked and approved by the project engineer responsible. Architectural Panel Solutions will not accept any liability should the system be designed / installed incorrectly.



Items	
1	Substrate (By Others)
2	Insulation (By Others)
3	DCS031 Isolator Pad
4	Primary fixing will vary subject to substrate composition*
5	DCS031 Helping Hand Bracket*
6	FDS 4.8x19mm self-drilling screw
7	DCS033 Vertical Carrier Half Rail
8	DCS033 Panel Carrier Hook
9	DCS033 Anti-rattle Strip
10	M6 x 16 A4 SS Set screw & self locking nut
11	Cladding panel

*Please refer to APS Downer Rainscreen Framing brochure

Dimensions	
a	Insulation thickness (varies)
b	Ventilation - Please refer to panel manufacturer / local regulations recommendations
c	Panel nominal thickness
d	Panel Joint - Please refer to panel manufacturer / to match building movement joint
e	Building Structural Movement Joint
a+b	Wall cavity - Please refer to DCS033 Cavity range for suitable helping hand bracket

DOWNER
ORIGINAL HELPING HAND SYSTEM

ARCHITECTURAL PANEL SOLUTIONS LIMITED
Unit 5, Wainwright Close, Churchfields Industrial Estate,
St Leonards-on-Sea, TN38 0LP
T: 01424 852641 F: 01424 852797
claddings@architecturalpanelsolutions.com
www.architecturalpanelsolutions.com

Drawing Title:

DCS033 - HOOK ON PANELS - TYPICAL DETAILS
BUILDING STRUCTURAL MOVEMENT JOINT DETAIL

Drawing Ref:

DCS033-06

Scale:

NTS
@ A4

System:

DCS033

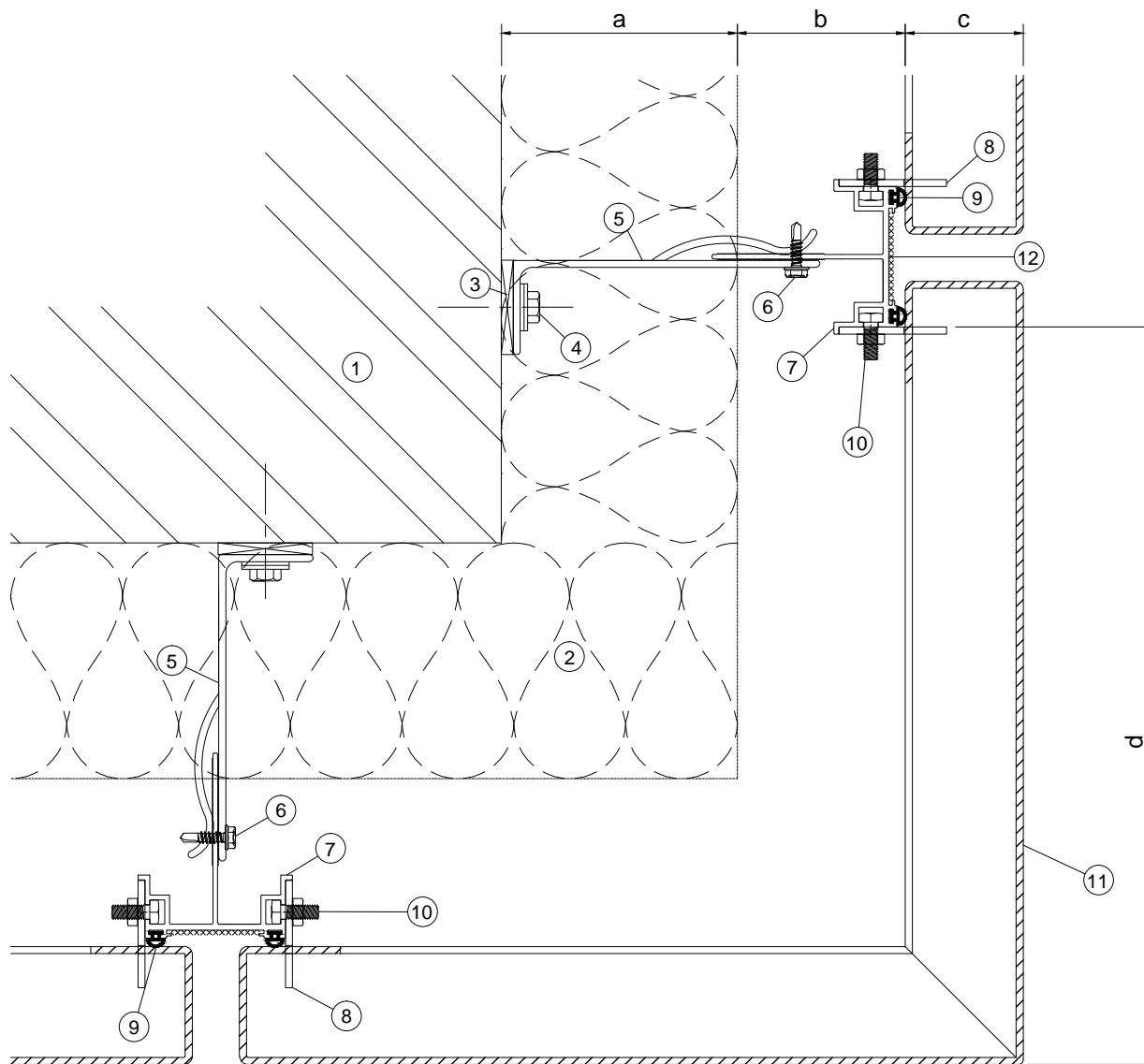
Date:

Sept-23

Drawn: JB

Rev.	/ /		
------	-----	--	--

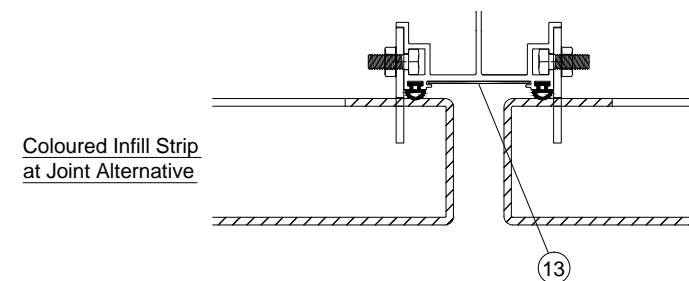
These drawings are indicative only, for use as a guide. The customer is always responsible for any specific design, structural calculations and calculating exact sizes of rails, sizes & quantities of panels. Any project details and calculations supplied by Architectural Panel Solutions are provided in good faith and should always be checked and approved by the project engineer responsible. Architectural Panel Solutions will not accept any liability should the system be designed / installed incorrectly.



Items	
1	Substrate (By Others)
2	Insulation (By Others)
3	DCS031 Isolator Pad
4	Primary fixing will vary subject to substrate composition*
5	DCS031 Helping Hand Bracket*
6	FDS 4.8x19mm self-drilling screw
7	DCS033 Vertical Carrier Rail. Face can be blacked out with PVC tape* or supplied powder coated.
8	DCS033 Panel Carrier Hook
9	DCS033 Anti-rattle Strip
10	M6 x 16 A4 SS Set screw & self locking nut
11	Cladding panel
12	Optional PPC Coloured Rail Face
13	Coloured Aluminium Infill Strip

*Please refer to APS Downer Rainscreen Framing brochure

Dimensions	
a	Insulation thickness (varies)
b	Ventilation - Please refer to panel manufacturer / local regulations recommendations
c	Panel nominal thickness
d	Maximum cantilever - Please refer to panel manufacturer
a+b	Wall cavity - Please refer to DCS033 Cavity range for suitable helping hand bracket



DOWNER
ORIGINAL HELPING HAND SYSTEM

ARCHITECTURAL PANEL SOLUTIONS LIMITED
Unit 5, Wainwright Close, Churchfields Industrial Estate,
St Leonards-on-Sea, TN38 0LP
T: 01424 852641 F: 01424 852797
claddings@architecturalpanelsolutions.com
www.architecturalpanelsolutions.com

Drawing Title:

**DCS033 - HOOK ON PANELS - TYPICAL DETAILS
EXTERNAL CORNER DETAIL 1**

Drawing Ref:

DCS033-07

Scale:

NTS
@ A4

System:

DCS033

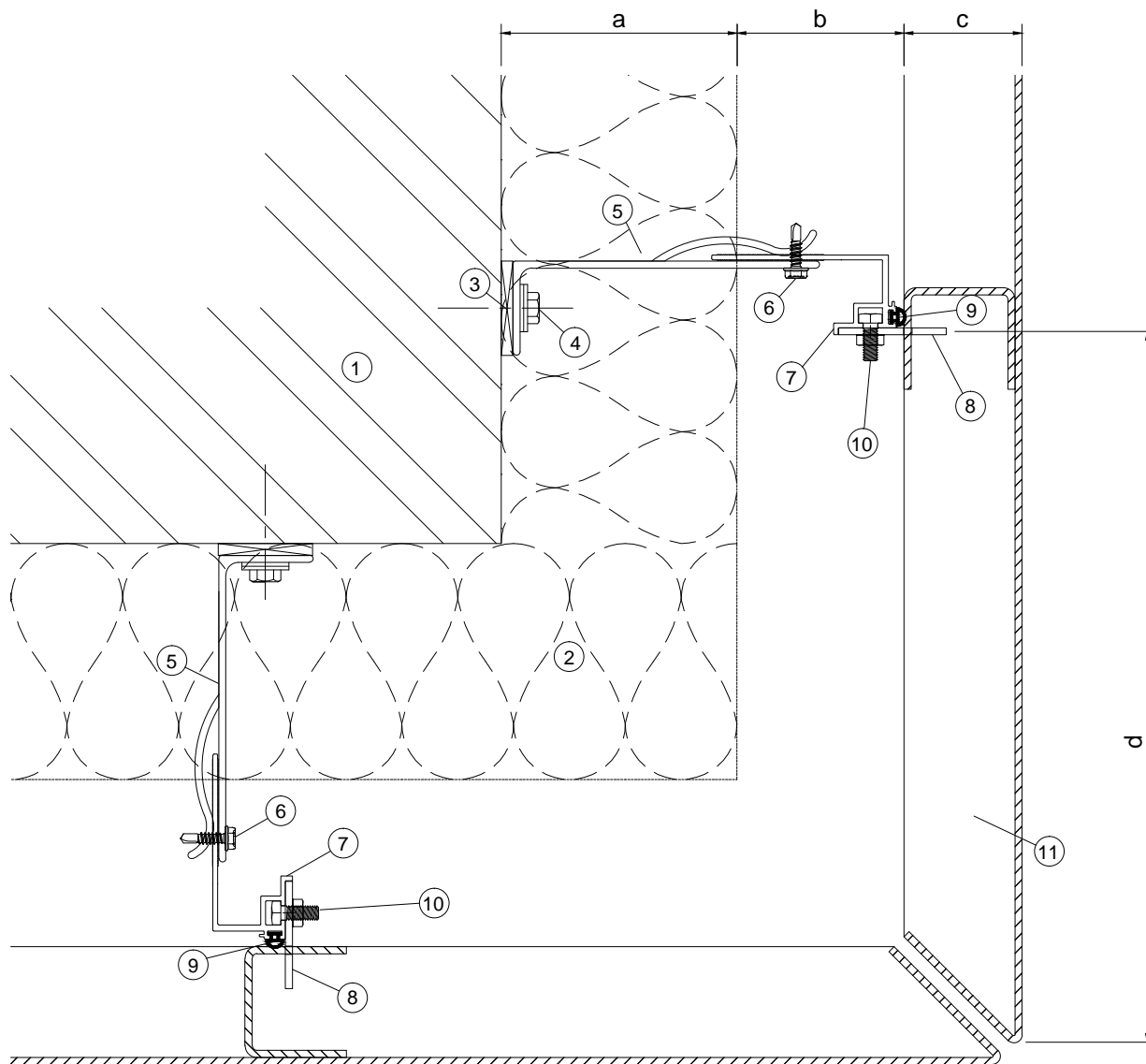
Date:

Sept-23

Drawn: JB

Rev.	/ /	
------	-----	--

These drawings are indicative only, for use as a guide. The customer is always responsible for any specific design, structural calculations and calculating exact sizes of rails, sizes & quantities of panels. Any project details and calculations supplied by Architectural Panel Solutions are provided in good faith and should always be checked and approved by the project engineer responsible. Architectural Panel Solutions will not accept any liability should the system be designed / installed incorrectly.



Items	
1	Substrate (By Others)
2	Insulation (By Others)
3	DCS031 Isolator Pad
4	Primary fixing will vary subject to substrate composition*
5	DCS031 Helping Hand Bracket*
6	FDS 4.8x19mm self-drilling screw
7	DCS033 Vertical Carrier Half Rail
8	DCS033 Panel Carrier Hook
9	DCS033 Anti-rattle Strip
10	M6 x 16 A4 SS Set screw & self locking nut
11	Cladding Panel

*Please refer to APS Downer Rainscreen Framing brochure

Dimensions	
a	Insulation thickness (varies)
b	Ventilation - Please refer to panel manufacturer / local regulations recommendations
c	Panel nominal thickness
d	Maximum cantilever - Please refer to panel manufacturer
a+b	Wall cavity - Please refer to DCS033 Cavity range for suitable helping hand bracket

Rev.	/ /		
------	-----	--	--



ARCHITECTURAL PANEL SOLUTIONS LIMITED
 Unit 5, Wainwright Close, Churchfields Industrial Estate,
 St Leonards-on-Sea, TN38 0LP
 T: 01424 852641 F: 01424 852797
 claddings@architecturalpanelsolutions.com
 www.architecturalpanelsolutions.com

Drawing Title:

**DCS033 - HOOK ON PANELS - TYPICAL DETAILS
 EXTERNAL CORNER DETAIL 2**

Drawing Ref:

DCS033-08

Scale:

NTS
 @ A4

System:

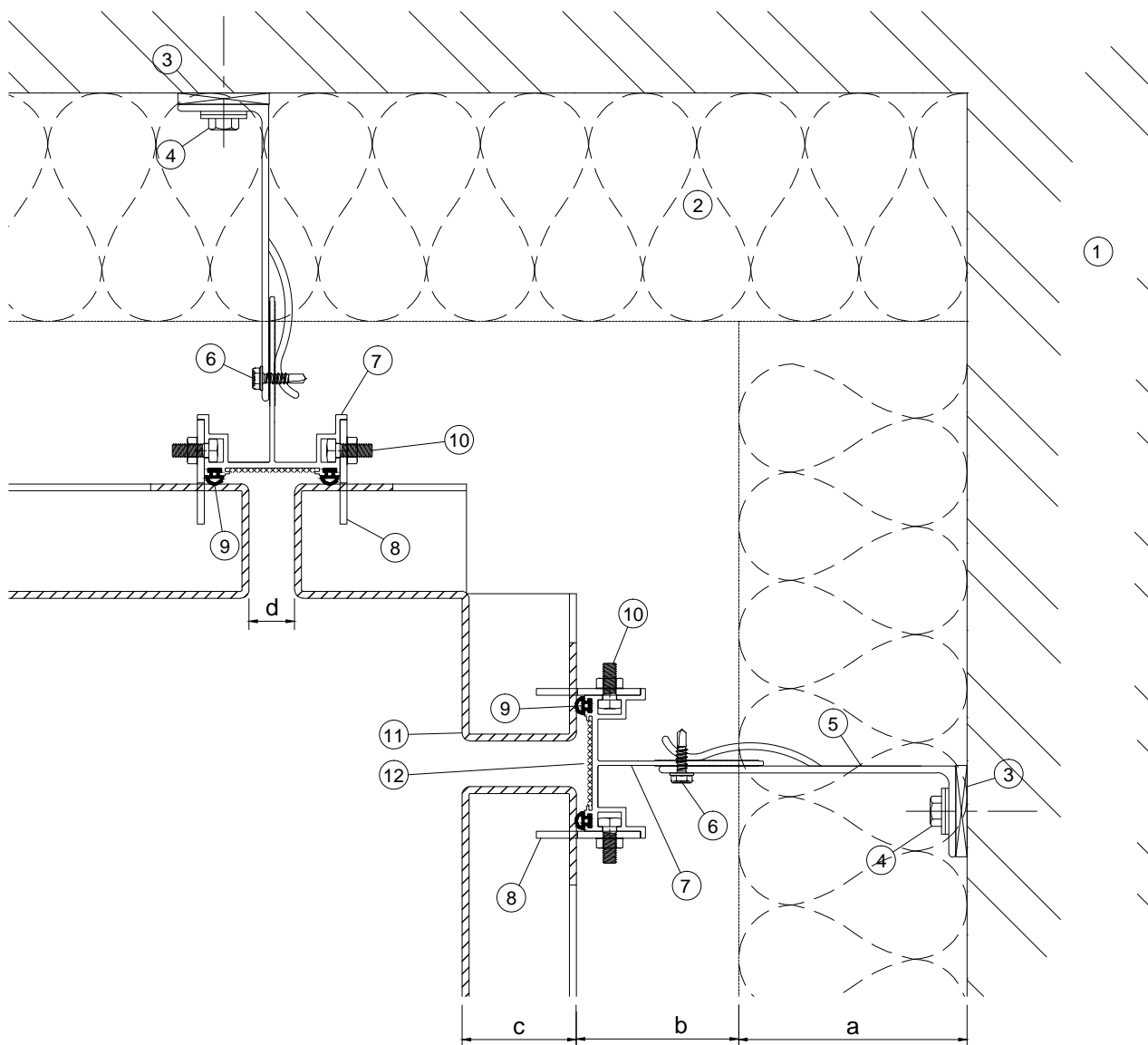
DCS033

Date:

Sept-23

Drawn: JB

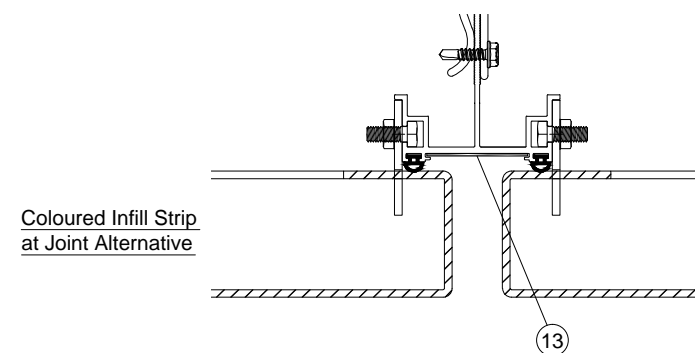
These drawings are indicative only, for use as a guide. The customer is always responsible for any specific design, structural calculations and calculating exact sizes of rails, sizes & quantities of panels. Any project details and calculations supplied by Architectural Panel Solutions are provided in good faith and should always be checked and approved by the project engineer responsible. Architectural Panel Solutions will not accept any liability should the system be designed / installed incorrectly.



Items	
1	Substrate (By Others)
2	Insulation (By Others)
3	DCS031 Isolator Pad
4	Primary fixing will vary subject to substrate composition*
5	DCS031 Helping Hand Bracket*
6	FDS 4.8x19mm self-drilling screw
7	DCS033 Vertical Carrier Rail. Face can be blacked out with PVC tape* or supplied powder coated.
8	DCS033 Panel Carrier Hook
9	DCS033 Anti-rattle Strip
10	M6 x 16 A4 SS Set screw & self locking nut
11	Cladding panel
12	Optional PPC Coloured Rail Face
13	Coloured Aluminium Infill Strip

*Please refer to APS Downer Rainscreen Framing brochure

Dimensions	
a	Insulation thickness (varies)
b	Ventilation - Please refer to panel manufacturer / local regulations recommendations
c	Panel nominal thickness
d	Panel Joint - Please refer to panel manufacturer.
a+b	Wall cavity - Please refer to DCS033 Cavity range for suitable helping hand bracket



ARCHITECTURAL PANEL SOLUTIONS LIMITED
 Unit 5, Wainwright Close, Churchfields Industrial Estate,
 St Leonards-on-Sea, TN38 0LP
 T: 01424 852641 F: 01424 852797
 claddings@architecturalpanelsolutions.com
 www.architecturalpanelsolutions.com

Drawing Title:

**DCS033 - HOOK ON PANEL - TYPICAL DETAILS
 INTERNAL CORNER DETAIL**

Drawing Ref:

DCS033-09

Scale:

NTS
 @ A4

System:

DCS033

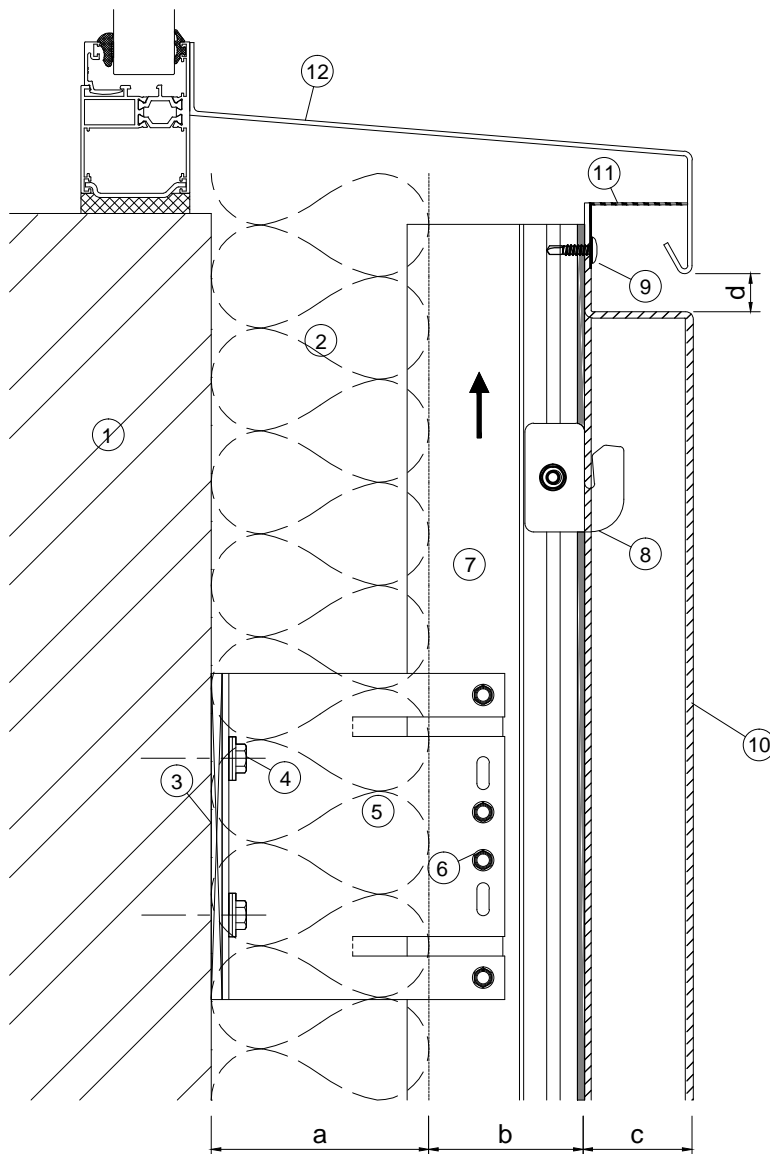
Date:

Sept-23

Drawn: JB

Rev.	/ /	
------	-----	--

These drawings are indicative only, for use as a guide. The customer is always responsible for any specific design, structural calculations and calculating exact sizes of rails, sizes & quantities of panels. Any project details and calculations supplied by Architectural Panel Solutions are provided in good faith and should always be checked and approved by the project engineer responsible. Architectural Panel Solutions will not accept any liability should the system be designed / installed incorrectly.



Items	
1	Substrate (By others)
2	Insulation (By others)
3	DCS031 Isolator Pad
4	Primary fixing will vary subject to substrate composition*
5	DCS031 Double Helping Hand wall bracket*
6	FDS 4.8x19mm self-drilling screw
7	DCS033 Vertical Carrier Rail
8	DCS033 Panel Carrier Hook
9	Anti-lift locking Screw
10	Cladding Panel
11	Ventilation Profile *
12	Window detail to project requirement (by others)

*Please refer to APS Downer Rainscreen Framing brochure

Dimensions	
a	Insulation thickness (varies)
b	Ventilation - Please refer to panel manufacturer / local regulations recommendations
c	Panel nominal thickness
d	Ventilation inlet / outlet gaps - please refer to panel manufacturer / local regulations recommendations
a+b	Wall cavity - Please refer to DCS033 Cavity range for suitable helping hand bracket

Rev.	/ /	
------	-----	--

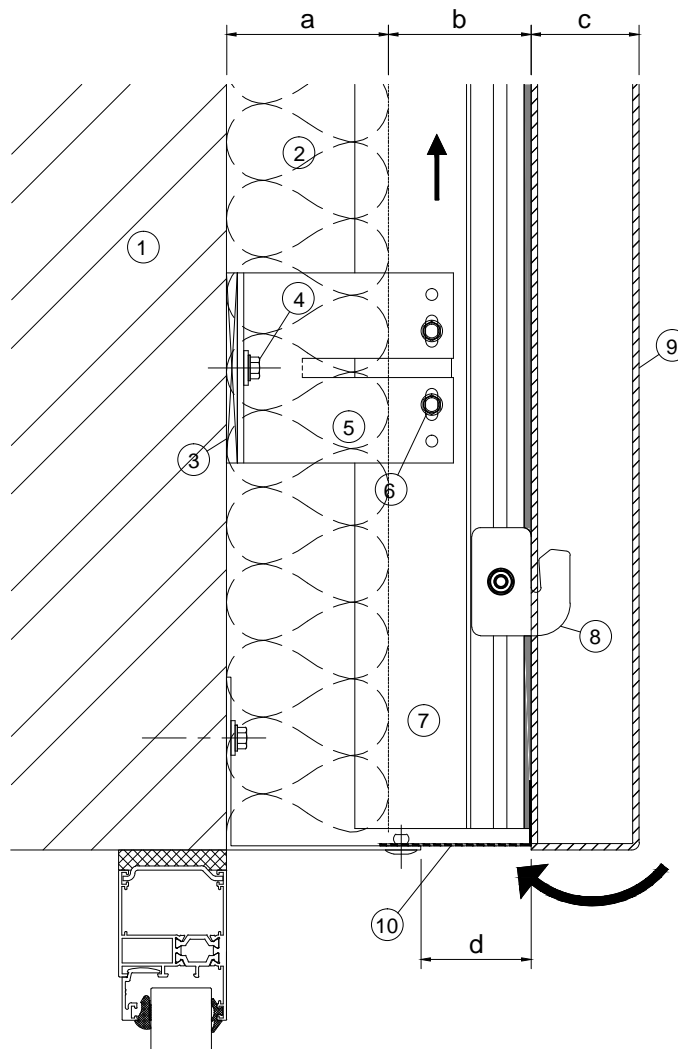


ARCHITECTURAL PANEL SOLUTIONS LIMITED
 Unit 5, Wainwright Close, Churchfields Industrial Estate,
 St Leonards-on-Sea, TN38 0LP
 T: 01424 852641 F: 01424 852797
 claddings@architecturalpanelsolutions.com
 www.architecturalpanelsolutions.com

Drawing Title:	DCS033 - HOOK ON PANELS - TYPICAL DETAILS GENERIC WINDOW SILL DETAIL								
Drawing Ref:	DCS033-10	Scale:	NTS @ A4	System:	DCS033	Date:	Sept-23	Drawn:	JB

Architectural Panel Solutions Ltd. reserve the right to amend details at any time without prior notice. Reproduction or disclosure to third parties is strictly prohibited and can only be attained through signed, written consent from APS Ltd.

These drawings are indicative only, for use as a guide. The customer is always responsible for any specific design, structural calculations and calculating exact sizes of rails, sizes & quantities of panels. Any project details and calculations supplied by Architectural Panel Solutions are provided in good faith and should always be checked and approved by the project engineer responsible. Architectural Panel Solutions will not accept any liability should the system be designed / installed incorrectly.



Items	
1	Substrate (By others)
2	Insulation (By others)
3	DCS031 Isolator Pad
4	Primary fixing will vary subject to substrate composition*
5	DCS031 Single Helping Hand wall bracket*
6	FDS 4.8x19mm self-drilling screw
7	DCS033 Vertical Carrier Rail
8	DCS033 Panel Carrier Hook
9	Cladding Panel
10	Ventilation Profile *

*Please refer to APS Downer Rainscreen Framing brochure

Dimensions	
a	Insulation thickness (varies)
b	Ventilation - Please refer to panel manufacturer / local regulations recommendations
c	Panel nominal thickness
d	Ventilation inlet / outlet gaps - please refer to panel manufacturer / local regulations recommendations
a+b	Wall cavity - Please refer to DCS031 Cavity range for suitable helping hand bracket

Rev.	/ /		
------	-----	--	--

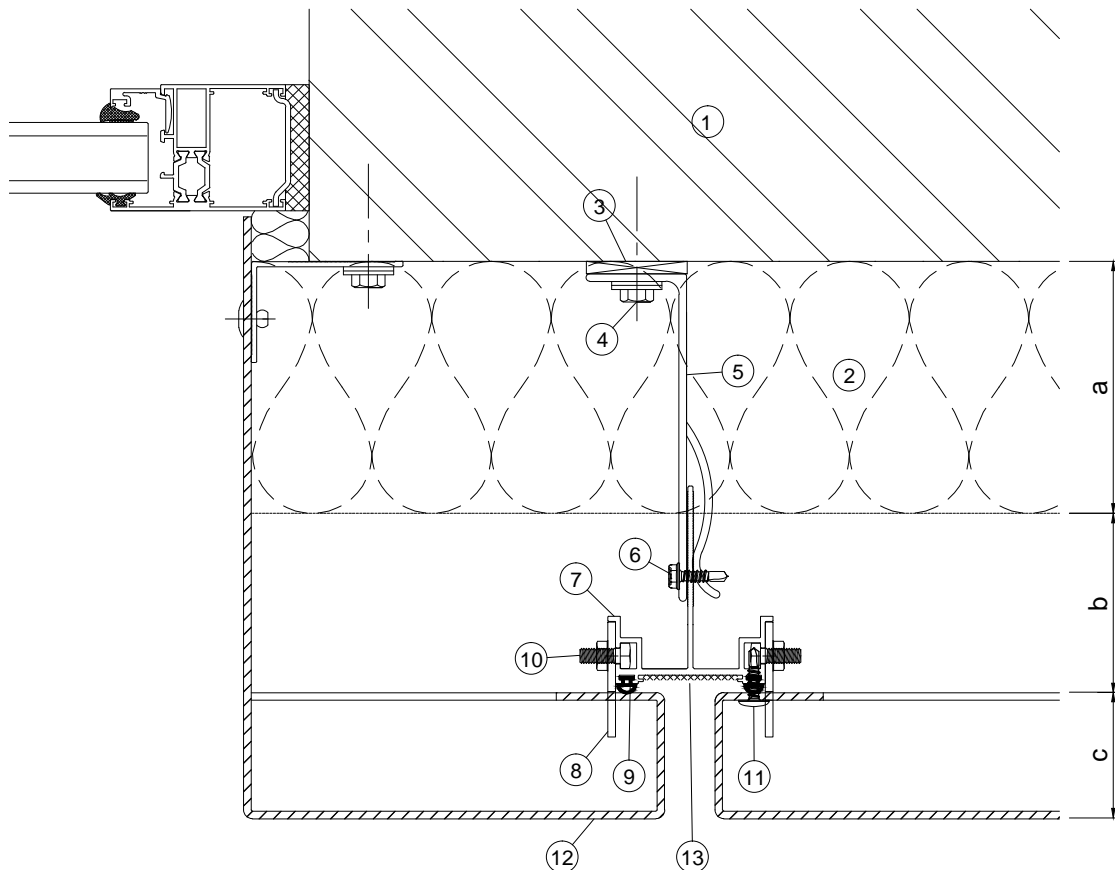


ARCHITECTURAL PANEL SOLUTIONS LIMITED
 Unit 5, Wainwright Close, Churchfields Industrial Estate,
 St Leonards-on-Sea, TN38 0LP
 T: 01424 852641 F: 01424 852797
 claddings@architecturalpanelsolutions.com
 www.architecturalpanelsolutions.com

Drawing Title:	DCS033 - HOOK ON PANELS - TYPICAL DETAILS WINDOW HEAD DETAIL								
Drawing Ref:	DCS033-11	Scale:	NTS @ A4	System:	DCS033	Date:	Sept-23	Drawn:	JB

Architectural Panel Solutions Ltd. reserve the right to amend details at any time without prior notice. Reproduction or disclosure to third parties is strictly prohibited and can only be attained through signed, written consent from APS Ltd.

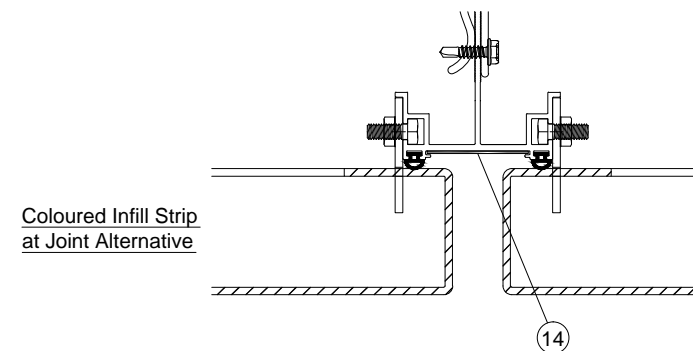
These drawings are indicative only, for use as a guide. The customer is always responsible for any specific design, structural calculations and calculating exact sizes of rails, sizes & quantities of panels. Any project details and calculations supplied by Architectural Panel Solutions are provided in good faith and should always be checked and approved by the project engineer responsible. Architectural Panel Solutions will not accept any liability should the system be designed / installed incorrectly.



Items	
1	Substrate (By Others)
2	Insulation (By Others)
3	DCS031 Isolator Pad
4	Primary fixing will vary subject to substrate composition*
5	DCS031 Helping Hand Bracket*
6	FDS 4.8x19mm self-drilling screw
7	DCS033 Vertical Carrier Rail. Face can be blacked out with PVC tape* or supplied powder coated.
8	DCS033 Panel Carrier Hook
9	DCS033 Anti-rattle Strip
10	M6 x 16 A4 SS Set screw & self locking nut
11	Anti-lift locking Screw
12	Cladding panel
13	Optional PPC Coloured Rail Face
14	Coloured Aluminium Infill Strip

*Please refer to APS Downer Rainscreen Framing brochure

Dimensions	
a	Insulation thickness (varies)
b	Ventilation - Please refer to panel manufacturer / local regulations recommendations
c	Panel nominal thickness
a+b	Wall cavity - Please refer to DCS031 Cavity range for suitable helping hand bracket



Rev.	/ /		
------	-----	--	--



ARCHITECTURAL PANEL SOLUTIONS LIMITED
 Unit 5, Wainwright Close, Churchfields Industrial Estate,
 St Leonards-on-Sea, TN38 0LP
 T: 01424 852641 F: 01424 852797
 claddings@architecturalpanelsolutions.com
 www.architecturalpanelsolutions.com

Drawing Title:

**DCS033 - HOOK ON PANELS - TYPICAL DETAILS
 WINDOW JAMB DETAIL**

Drawing Ref:

DCS033-12

Scale:

NTS
 @ A4

System:

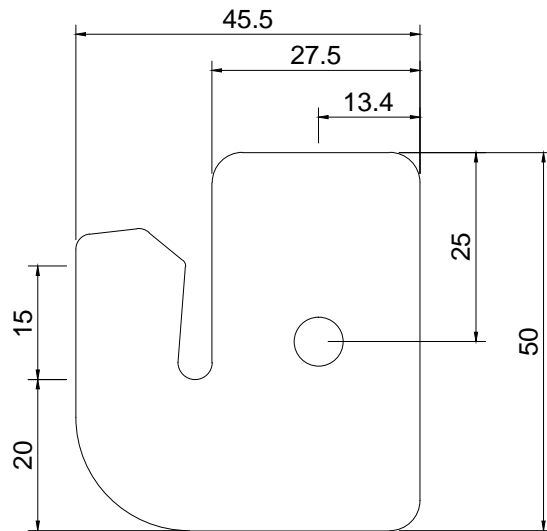
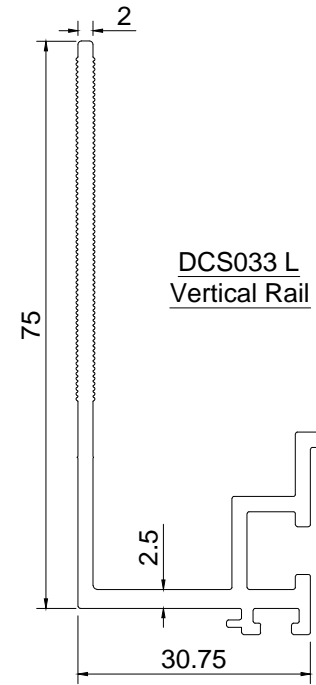
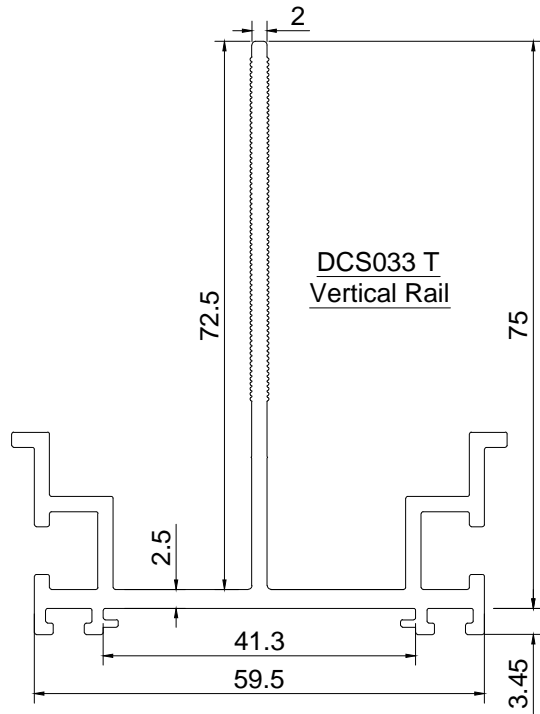
DCS033

Date:

Sept-23

Drawn: JB

These drawings are indicative only, for use as a guide. The customer is always responsible for any specific design, structural calculations and calculating exact sizes of rails, sizes & quantities of panels. Any project details and calculations supplied by Architectural Panel Solutions are provided in good faith and should always be checked and approved by the project engineer responsible. Architectural Panel Solutions will not accept any liability should the system be designed / installed incorrectly.



DCS033 CARRIER RAILS - EXTRUDED ALLOY GRADE: 6063T6		
REF	DESCRIPTION	LENGTH
DCS033T-3	'T' Carrier Rail	3000
DCS033T-6	'T' Carrier Rail	6000
DCS033L-3	'L' Carrier Rail	3000
DCS033L-6	'L' Carrier Rail	6000

DCS033 HOOK ALLOY GRADE: 5083		
REF	DESCRIPTION	THICKNESS
DCS033 HOOK	Hook	3

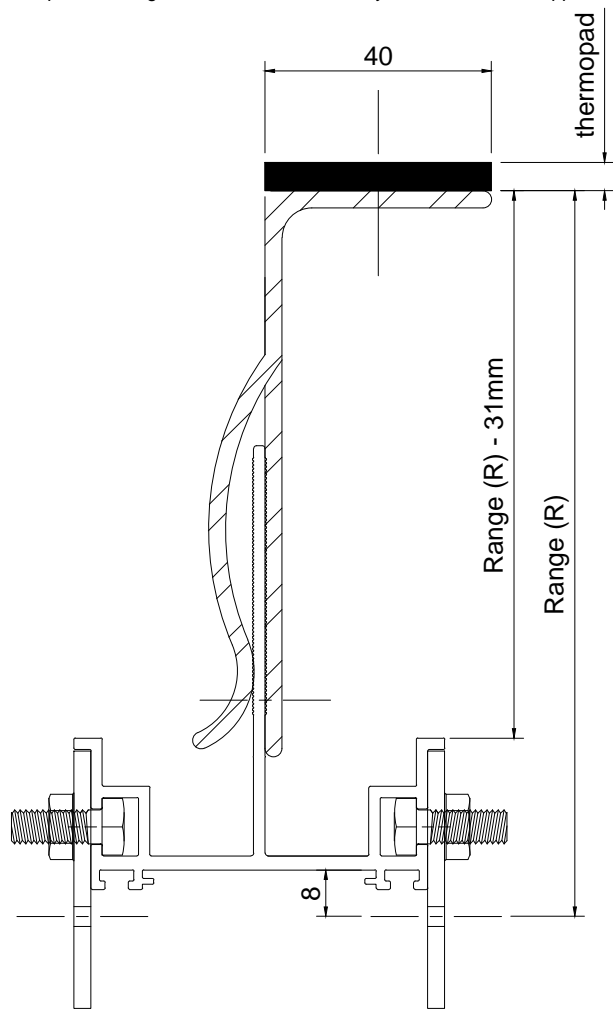
Rev.	/ /		
------	-----	--	--



ARCHITECTURAL PANEL SOLUTIONS LIMITED
 Unit 5, Wainwright Close, Churchfields Industrial Estate,
 St Leonards-on-Sea, TN38 0LP
 T: 01424 852641 F: 01424 852797
 claddings@architecturalpanelsolutions.com
 www.architecturalpanelsolutions.com

Drawing Title:	DCS033 - HOOK ON PANELS - SYSTEM COMPONENTS								
Drawing Ref:	DCS033-13	Scale:	NTS @ A4	System:	DCS033	Date:	Sept-23	Drawn:	JB

These drawings are indicative only, for use as a guide. The customer is always responsible for any specific design, structural calculations and calculating exact sizes of rails, sizes & quantities of panels. Any project details and calculations supplied by Architectural Panel Solutions are provided in good faith and should always be checked and approved by the project engineer responsible. Architectural Panel Solutions will not accept any liability should the system be designed / installed incorrectly.



Framing Zone - Range (R)

DCS031 Bracket Ref. Single	DCS031 Bracket Ref. Double	Range	
		HH-Single40	N/a
HH-Single45	N/a	97mm	107mm
HH-Single50	N/a	102mm	112mm
HH-Single60	N/a	112mm	122mm
HH-Single70	HH-Double70	107mm	132mm
HH-Single100	HH-Double100	125mm	160mm
HH-Single130	HH-Double130	155mm	190mm
HH-Single160	HH-Double160	185mm	220mm
HH-Single190	HH-Double190	215mm	250mm
HH-Single220	HH-Double220	245mm	280mm
HH-Single250	HH-Double250	275mm	310mm
HH-Single280	HH-Double280	305mm	340mm
-	HH-Double310	335mm	370mm
-	HH-Double340	365mm	400mm
-	HH-Double370	395mm	430mm
-	HH-Double400	425mm	460mm
Add 5mm to include - Thermostop pad Add 7mm to include - IsoPad			

Rev.	/ /	
------	-----	--



ARCHITECTURAL PANEL SOLUTIONS LIMITED
 Unit 5, Wainwright Close, Churchfields Industrial Estate,
 St Leonards-on-Sea, TN38 0LP
 T: 01424 852641 F: 01424 852797
 claddings@architecturalpanelsolutions.com
 www.architecturalpanelsolutions.com

Drawing Title:

**DCS033 - HOOK ON PANELS - SYSTEM DEPTH RANGE
 WITH DCS031 BRACKETS**

Drawing Ref:

DCS033-14

Scale:

NTS
@ A4

System:

DCS033

Date:

Sept-23

Drawn:

JB