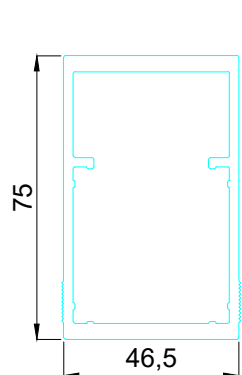
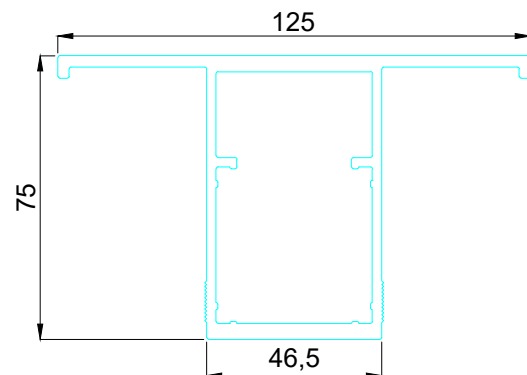


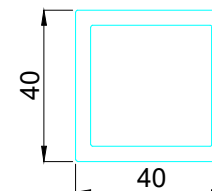
These drawings are indicative only, for use as a guide. The customer is always responsible for any specific design, structural calculations and calculating exact sizes of rails, sizes & quantities of panels. Any project details and calculations supplied by Architectural Panel Solutions are provided in good faith and should always be checked and approved by the project engineer responsible. Architectural Panel Solutions will not accept any liability should the system be designed / installed incorrectly.



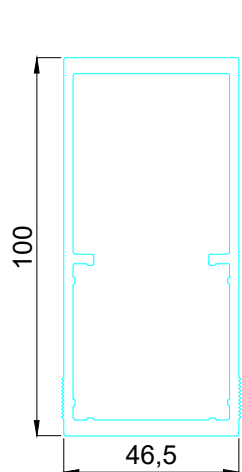
DCS041 RB075/4/6000



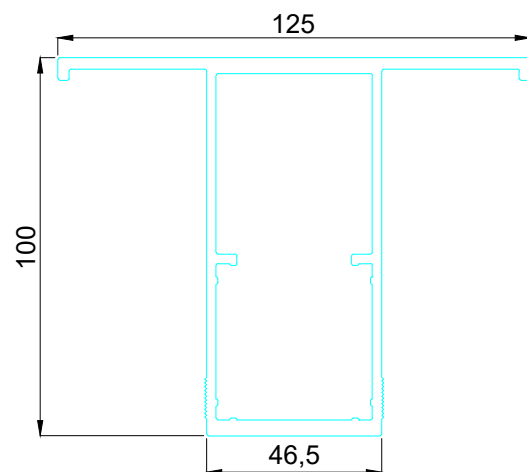
DCS041 RT075/4/6000



DCS041 SP4/200



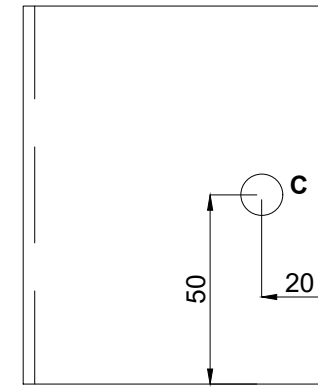
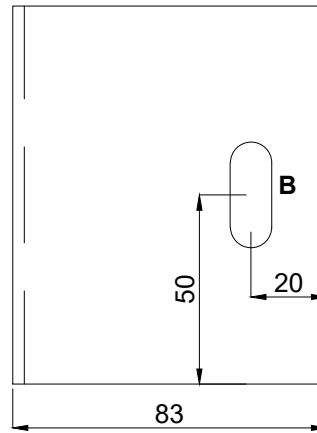
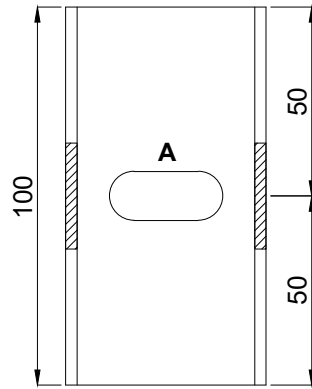
DCS041 RB100/4/6000



DCS041 RT100/4/6000

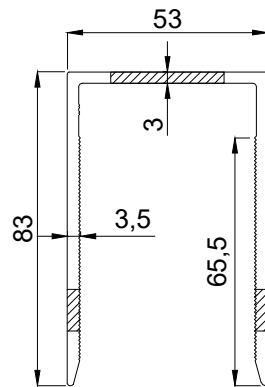
DCS041 CARRIER RAILS - EXTRUDED ALLOY GRADE: 6005A-T6		
REF	DESCRIPTION	LENGTH (mm)
DCS041 RT075/4/6000	'T-Box' Carrier Rail	6000
DCS041 RT100/4/6000	'T-Box' Carrier Rail	6000
DCS041 RB075/4/6000	'Box' Carrier Rail	6000
DCS041 RB100/4/6000	'Box' Carrier Rail	6000
DC041 SP4/200	Connecting Spigot	200

These drawings are indicative only, for use as a guide. The customer is always responsible for any specific design, structural calculations and calculating exact sizes of rails, sizes & quantities of panels. Any project details and calculations supplied by Architectural Panel Solutions are provided in good faith and should always be checked and approved by the project engineer responsible. Architectural Panel Solutions will not accept any liability should the system be designed / installed incorrectly.



DCS041 BA83/100
SLIDING POINT
(LIVE LOADS & EXPANSION)

DCS041 BB83/100
FIX POINT
(DEAD LOAD)



DCS041 BRACKET TYPE - EXTRUDED ALLOY GRADE: 6005A T6	
REF	A = 13mmØ x 30mm Slot B = 11mmØ x 28mm Slot C = 11mmØ Holes
DCS041 B 83/100	

Rev.	/ /	
------	-----	--



ARCHITECTURAL PANEL SOLUTIONS LIMITED
Unit 5, Wainwright Close, Churchfields Industrial Estate,
St Leonards-on-Sea, TN38 0LP
T: 01424 852641 F: 01424 852797
claddings@architecturalpanelsolutions.com
www.architecturalpanelsolutions.com

Drawing Title:

DCS041 FLOOR TO FLOOR SYSTEM
Wall Bracket BA & BB 83/100

Drawing Ref:

DCS041-02

Scale:

NTS
@ A4

System:

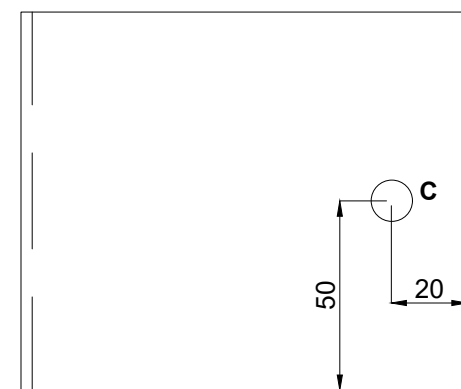
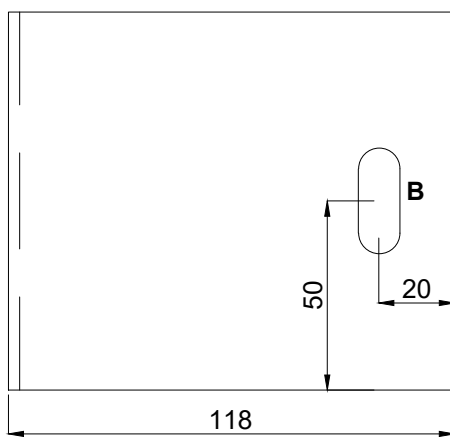
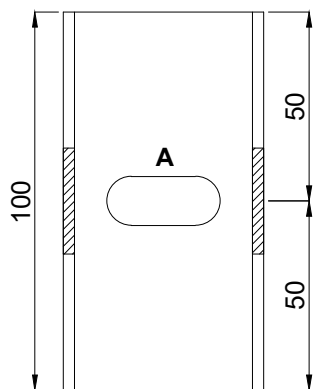
DCS041

Date:

Dec 23

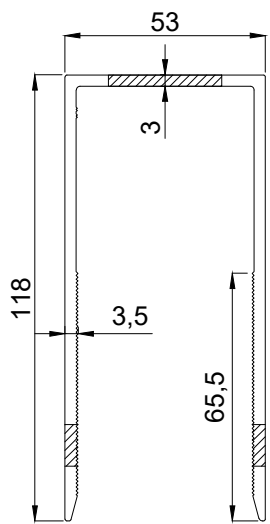
Drawn: J.B

These drawings are indicative only, for use as a guide. The customer is always responsible for any specific design, structural calculations and calculating exact sizes of rails, sizes & quantities of panels. Any project details and calculations supplied by Architectural Panel Solutions are provided in good faith and should always be checked and approved by the project engineer responsible. Architectural Panel Solutions will not accept any liability should the system be designed / installed incorrectly.



DCS041 BA118/100
SLIDING POINT
(LIVE LOADS & EXPANSION)

DCS041 BB118/100
FIX POINT
(DEAD LOAD)



DCS041 BRACKET TYPE - EXTRUDED ALLOY GRADE: 6005A T6	
REF	A = 13mmØ x 30mm Slot B = 11mmØ x 28mm Slot C = 11mmØ Holes
DCS041 B 118/100	

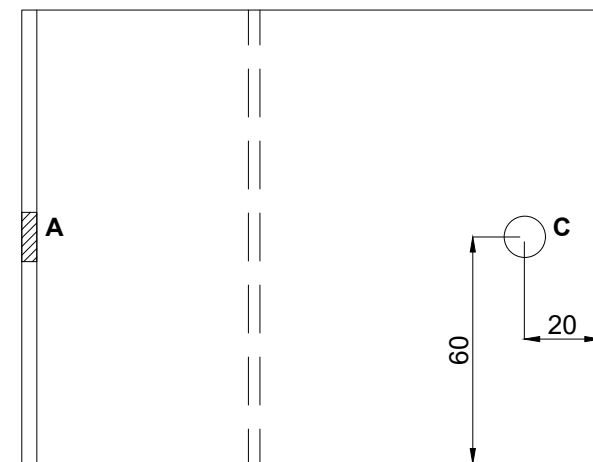
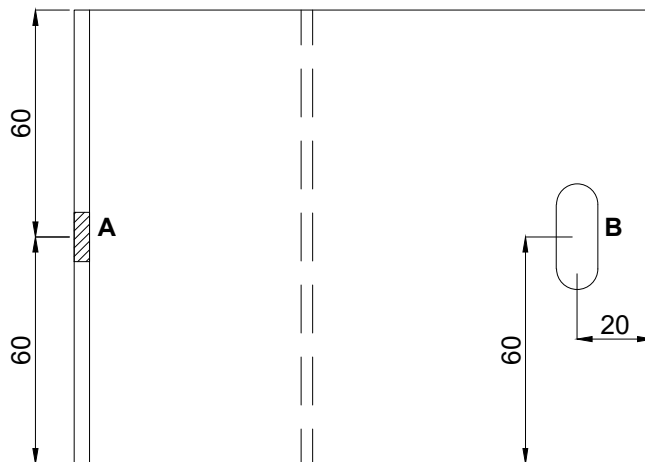
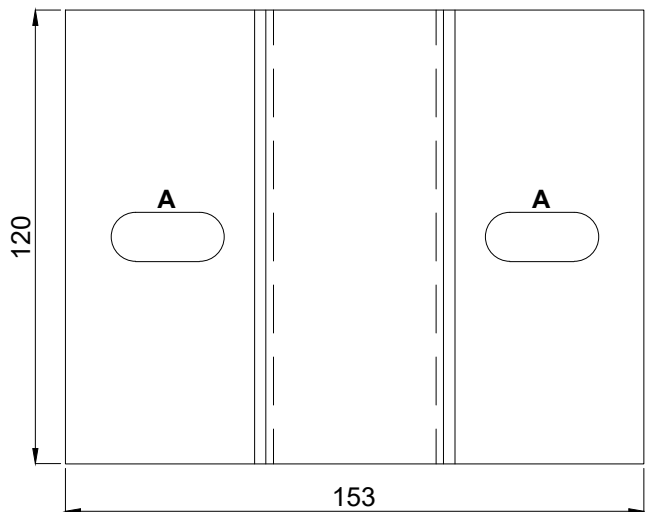
Rev.	/ /	
------	-----	--



ARCHITECTURAL PANEL SOLUTIONS LIMITED
Unit 5, Wainwright Close, Churchfields Industrial Estate,
St Leonards-on-Sea, TN38 0LP
T: 01424 852641 F: 01424 852797
claddings@architecturalpanelsolutions.com
www.architecturalpanelsolutions.com

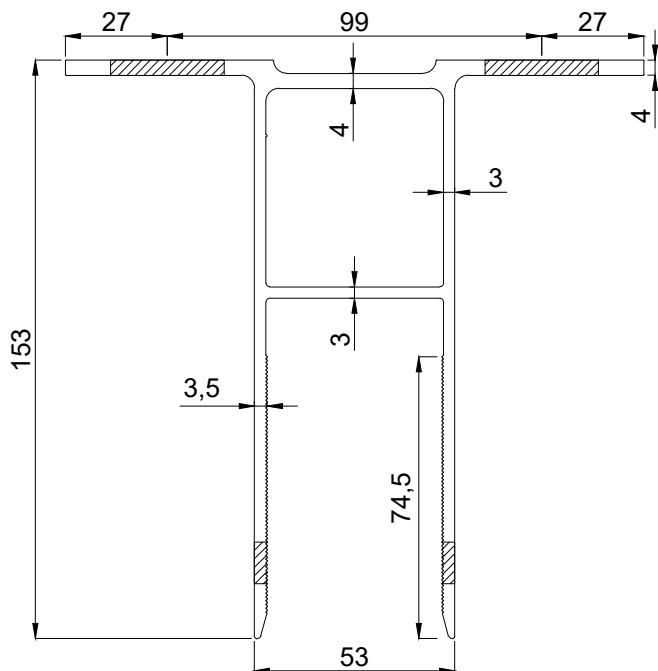
Drawing Title:	DCS041 FLOOR TO FLOOR SYSTEM Wall Bracket BA & BB 118/100								
Drawing Ref:	DCS041-03	Scale:	NTS @ A4	System:	DCS041	Date:	Dec 23	Drawn:	J.B

These drawings are indicative only, for use as a guide. The customer is always responsible for any specific design, structural calculations and calculating exact sizes of rails, sizes & quantities of panels. Any project details and calculations supplied by Architectural Panel Solutions are provided in good faith and should always be checked and approved by the project engineer responsible. Architectural Panel Solutions will not accept any liability should the system be designed / installed incorrectly.



DCS041 BA153/120
SLIDING POINT
(LIVE LOADS & EXPANSION)

DCS041 BB153/120
FIX POINT
(DEAD LOAD)



DCS041 BRACKET TYPE - EXTRUDED ALLOY GRADE: 6005A T6	
REF	A = 13mmØ x 30mm Slot B = 11mmØ x 28mm Slot C = 11mmØ Holes
DCS041 B 153/120	

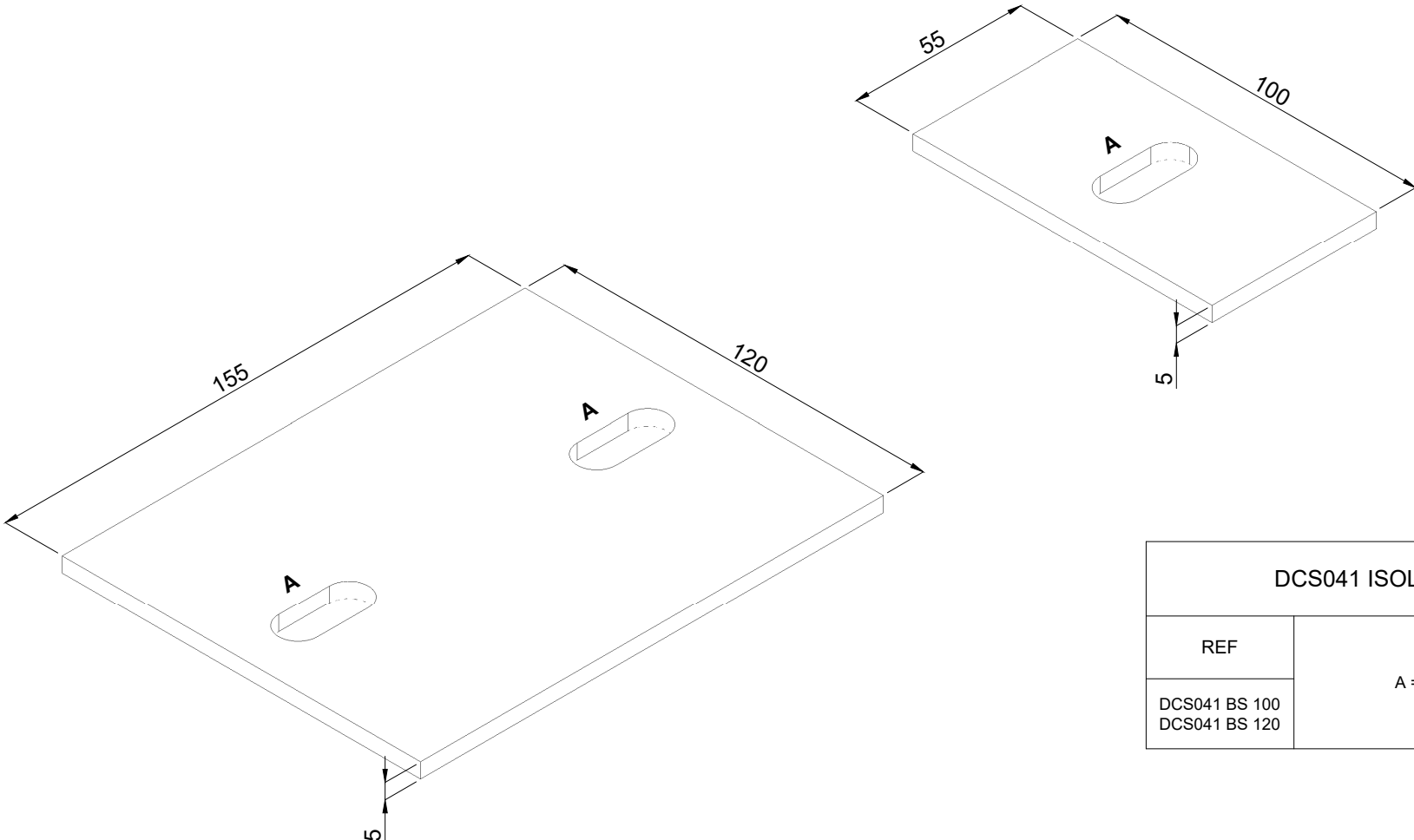
Rev.	/ /		
------	-----	--	--



ARCHITECTURAL PANEL SOLUTIONS LIMITED
Unit 5, Wainwright Close, Churchfields Industrial Estate,
St Leonards-on-Sea, TN38 0LP
T: 01424 852641 F: 01424 852797
claddings@architecturalpanelsolutions.com
www.architecturalpanelsolutions.com

Drawing Title:	DCS041 FLOOR TO FLOOR SYSTEM Wall Bracket BA & BB 153/120								
Drawing Ref:	DCS041-04	Scale:	NTS @ A4	System:	DCS041	Date:	Dec 23	Drawn:	J.B

These drawings are indicative only, for use as a guide. The customer is always responsible for any specific design, structural calculations and calculating exact sizes of rails, sizes & quantities of panels. Any project details and calculations supplied by Architectural Panel Solutions are provided in good faith and should always be checked and approved by the project engineer responsible. Architectural Panel Solutions will not accept any liability should the system be designed / installed incorrectly.



DCS041 ISOLATOR PADS	
REF	A = 13mmØ x 30mm Slot
DCS041 BS 100 DCS041 BS 120	

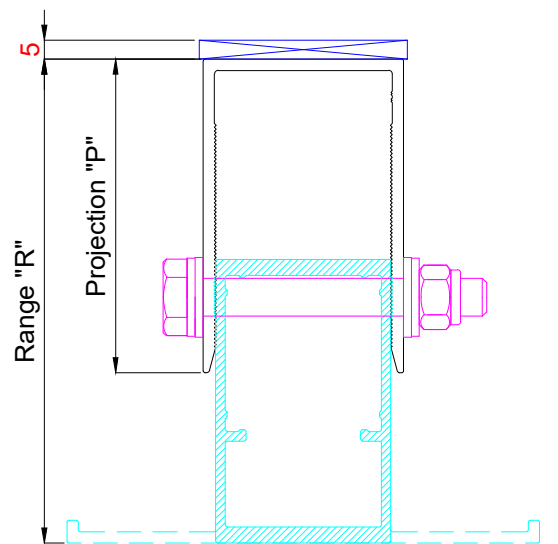
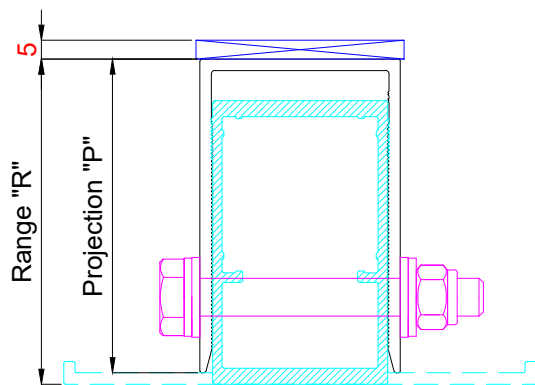
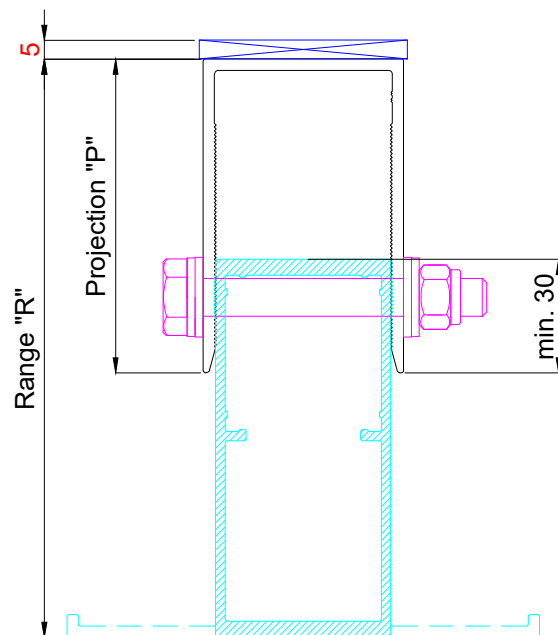
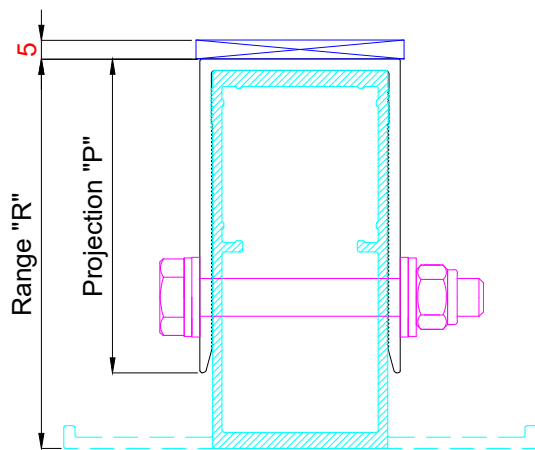
Rev.	/ /		
------	-----	--	--



ARCHITECTURAL PANEL SOLUTIONS LIMITED
 Unit 5, Wainwright Close, Churchfields Industrial Estate,
 St Leonards-on-Sea, TN38 0LP
 T: 01424 852641 F: 01424 852797
claddings@architecturalpanelsolutions.com
www.architecturalpanelsolutions.com

Drawing Title:	DCS041 FLOOR TO FLOOR SYSTEM Isolator Pads								
Drawing Ref:	DCS041-05	Scale:	NTS @ A4	System:	DCS041	Date:	Dec 23	Drawn:	J.B

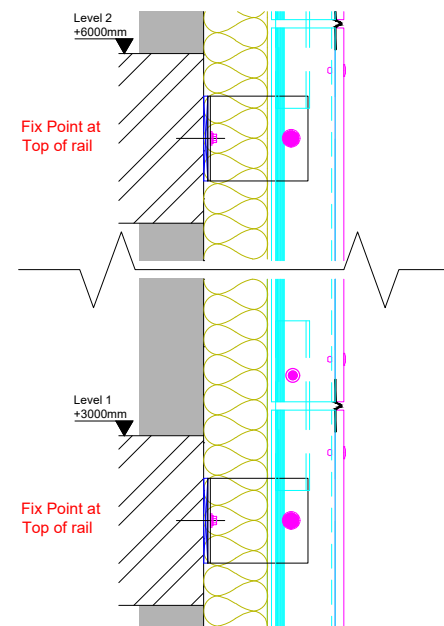
These drawings are indicative only, for use as a guide. The customer is always responsible for any specific design, structural calculations and calculating exact sizes of rails, sizes & quantities of panels. Any project details and calculations supplied by Architectural Panel Solutions are provided in good faith and should always be checked and approved by the project engineer responsible. Architectural Panel Solutions will not accept any liability should the system be designed / installed incorrectly.



DCS041 - Cavity Range

Bracket Reference	Projection "P"	Range "R" 75mm Rail		Range "R" 100mm Rail	
DCS041 BA&B 83/100	83mm	93mm	128mm	118mm	153mm
DCS041 BA&B 118/100	118mm	121mm	163mm	121mm	188mm
DCS041 BA&B 153/120	153mm	156mm	198mm	163mm	223mm

Add 5mm to include - Thermal Isolator Pad



DCS041 Typical Example Set-out

DOWNER
ORIGINAL HELPING HAND SYSTEM

ARCHITECTURAL PANEL SOLUTIONS LIMITED
Unit 5, Wainwright Close, Churchfields Industrial Estate,
St Leonards-on-Sea, TN38 0LP
T: 01424 852641 F: 01424 852797
claddings@architecturalpanelsolutions.com
www.architecturalpanelsolutions.com

Drawing Title:

DCS041 FLOOR TO FLOOR SYSTEM
Wall Brackets Cavity Range

Drawing Ref:

DCS041-06

Scale:

NTS
@ A4

System:

DCS041

Date:

Dec 23

Drawn: J.B

Rev.	/ /		
------	-----	--	--