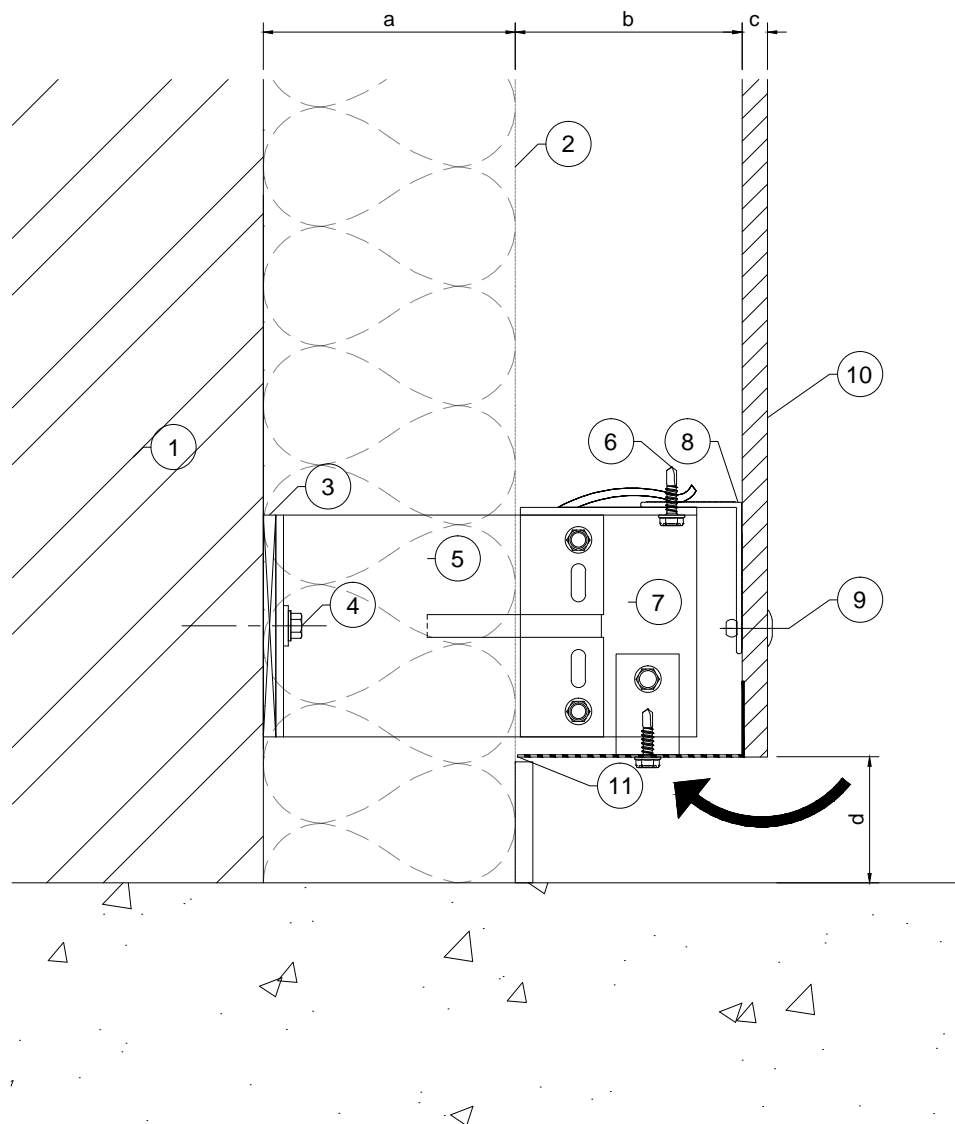


These drawings are indicative only, for use as a guide. The customer is always responsible for any specific design, structural calculations and calculating exact sizes of rails, sizes & quantities of panels. Any project details and calculations supplied by Architectural Panel Solutions are provided in good faith and should always be checked and approved by the project engineer responsible. Architectural Panel Solutions will not accept any liability should the system be designed / installed incorrectly.



Items	
1	Substrate (By Others)
2	Insulation (By Others)
3	DCS031 Isolator Pad
4	Primary fixing will vary subject to substrate composition*
5	DCS031 Single Helping Hand Bracket*
6	FDS 4.8x19mm self-drilling screw
7	DCS032 Horizontal Adaptor
8	DCS031 60x40 L Rail
9	Colour Rivets to match panels *
10	Cladding panel
11	Ventilation Profile *

*Please refer to APS Downer Rainscreen Framing brochure

Dimensions	
a	Insulation thickness (varies)
b	Ventilation - Please refer to panel manufacturer / local regulations recommendations
c	Panel nominal thickness
d	Base distance - Please refer to panel manufacturer recommendation
a+b	Wall cavity - Please refer to DCS031 Cavity range for suitable helping hand bracket

Rev.	/ /	
------	-----	--



ARCHITECTURAL PANEL SOLUTIONS LIMITED
 Unit 5, Wainwright Close, Churchfields Industrial Estate,
 St Leonards-on-Sea, TN38 0LP
 T: 01424 852641 F: 01424 852797
 claddings@architecturalpanelsolutions.com
 www.architecturalpanelsolutions.com

Drawing Title:

**DCS032 - VISIBLE FIX - TYPICAL DETAILS
 BASE DETAIL**

Drawing Ref:

DCS032-F01

Scale:

NTS
 @ A4

System:

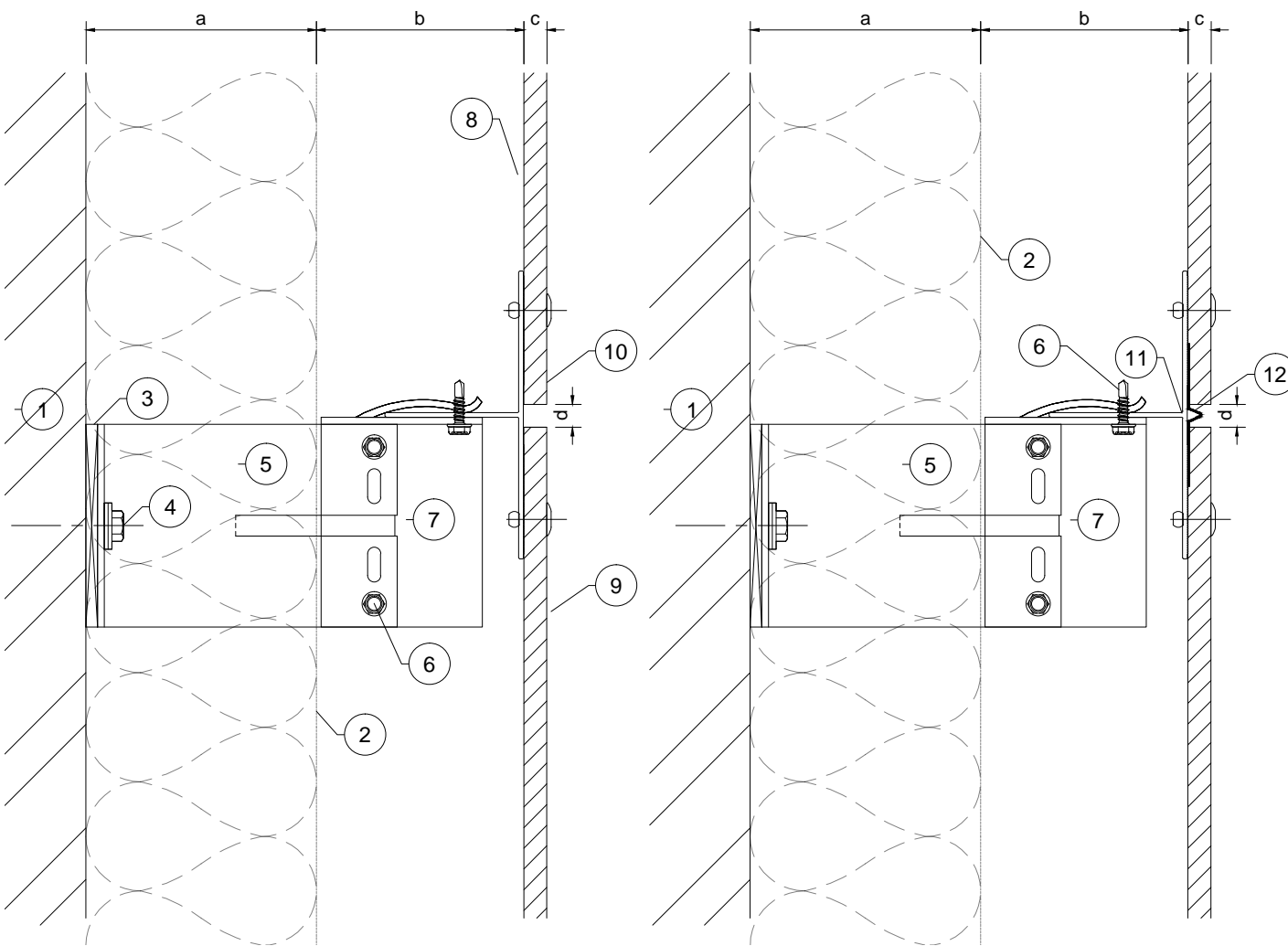
DCS032

Date:

Sept-2023

Drawn: J.B.

These drawings are indicative only, for use as a guide. The customer is always responsible for any specific design, structural calculations and calculating exact sizes of rails, sizes & quantities of panels. Any project details and calculations supplied by Architectural Panel Solutions are provided in good faith and should always be checked and approved by the project engineer responsible. Architectural Panel Solutions will not accept any liability should the system be designed / installed incorrectly.



Mill finish or PPC T Rail option

Joint profile option

Items	
1	Substrate (By Others)
2	Insulation (By Others)
3	DCS031 Isolator Pad
4	Primary fixing will vary subject to substrate composition*
5	DCS031 Single Helping Hand Bracket*
6	FDS 4.8x19mm self-drilling screw
7	DCS032 Horizontal Adaptor
8	DCS031 60x40 L Rail
9	Colour Rivets to match panels *
10	Cladding panel
11	DCS031 125x60 T Rail
12	Birds Beak Joint Profile*

*Please refer to APS Downer Rainscreen Framing brochure

Dimensions	
a	Insulation thickness (varies)
b	Ventilation - Please refer to panel manufacturer / local regulations recommendations
c	Panel nominal thickness
d	Panel joint - Please refer to panel manufacturer.
a+b	Wall cavity - Please refer to DCS031 Cavity range for suitable helping hand bracket

DOWNER
ORIGINAL HELPING HAND SYSTEM

ARCHITECTURAL PANEL SOLUTIONS LIMITED
Unit 5, Wainwright Close, Churchfields Industrial Estate,
St Leonards-on-Sea, TN38 0LP
T: 01424 852641 F: 01424 852797
claddings@architecturalpanelsolutions.com
www.architecturalpanelsolutions.com

Drawing Title:

DCS032 - VISIBLE FIX - TYPICAL DETAILS
HORIZONTAL PANEL JOINT DETAIL

Drawing Ref:

DCS032-F02

Scale:

NTS
@ A4

System:

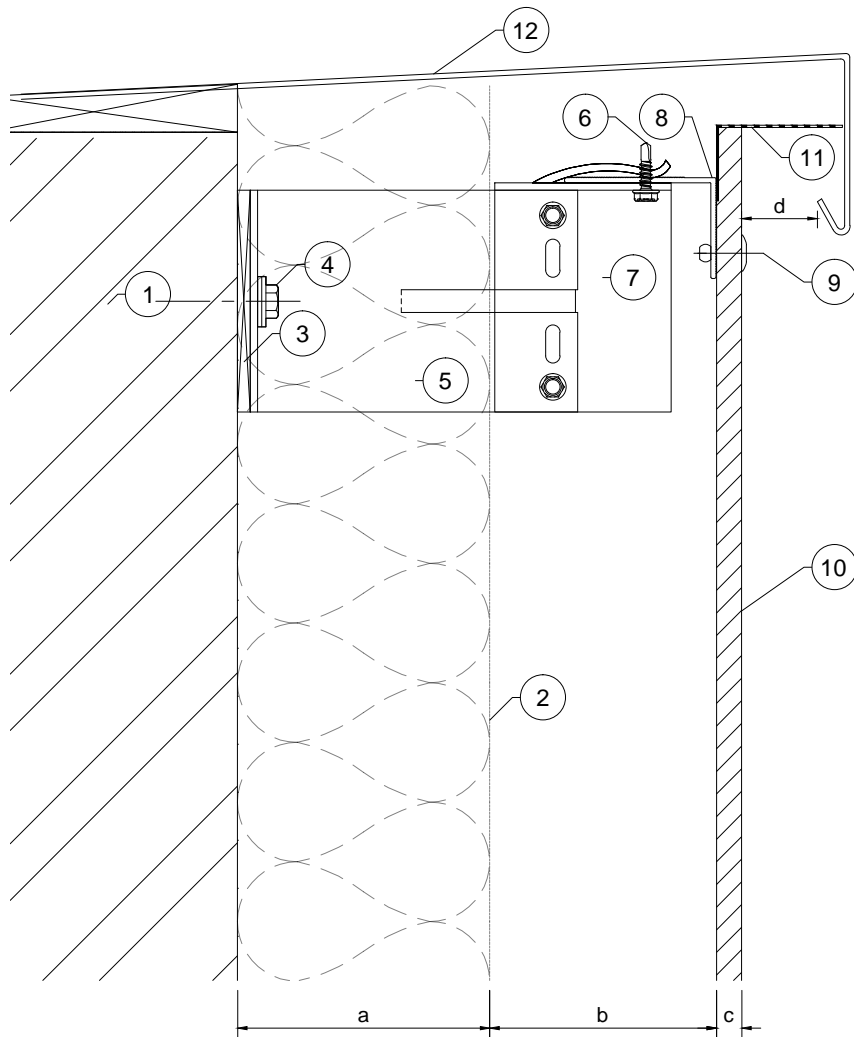
DCS032

Date: Sept-2023

Drawn: J.B.

Rev.	/ /	
------	-----	--

These drawings are indicative only, for use as a guide. The customer is always responsible for any specific design, structural calculations and calculating exact sizes of rails, sizes & quantities of panels. Any project details and calculations supplied by Architectural Panel Solutions are provided in good faith and should always be checked and approved by the project engineer responsible. Architectural Panel Solutions will not accept any liability should the system be designed / installed incorrectly.



Items	
1	Substrate (By Others)
2	Insulation (By Others)
3	DCS031 Isolator Pad
4	Primary fixing will vary subject to substrate composition*
5	DCS031 Double Helping Hand Bracket*
6	FDS 4.8x19mm self-drilling screw
7	DCS032 Horizontal Adaptor
8	DCS031 60x40 L Rail
9	Colour Rivets to match panels *
10	Cladding panel
11	Ventilation Profile *
12	Parapet detail to project requirement (by others)

*Please refer to APS Downer Rainscreen Framing brochure

Dimensions	
a	Insulation thickness (varies)
b	Ventilation - Please refer to panel manufacturer / local regulations recommendations
c	Panel nominal thickness
d	Ventilation inlet/outlet gaps - please refer to panel manufacturer / local regulations recommendations
a+b	Wall cavity - Please refer to DCS031 Cavity range for suitable helping hand bracket

Rev.	/ /	
------	-----	--



ARCHITECTURAL PANEL SOLUTIONS LIMITED
 Unit 5, Wainwright Close, Churchfields Industrial Estate,
 St Leonards-on-Sea, TN38 0LP
 T: 01424 852641 F: 01424 852797
 claddings@architecturalpanelsolutions.com
 www.architecturalpanelsolutions.com

Drawing Title:

**DCS032 - VISIBLE FIX - TYPICAL DETAILS
 GENERIC PARAPET DETAIL**

Drawing Ref:

DCS032-F03

Scale:

NTS
 @ A4

System:

DCS032

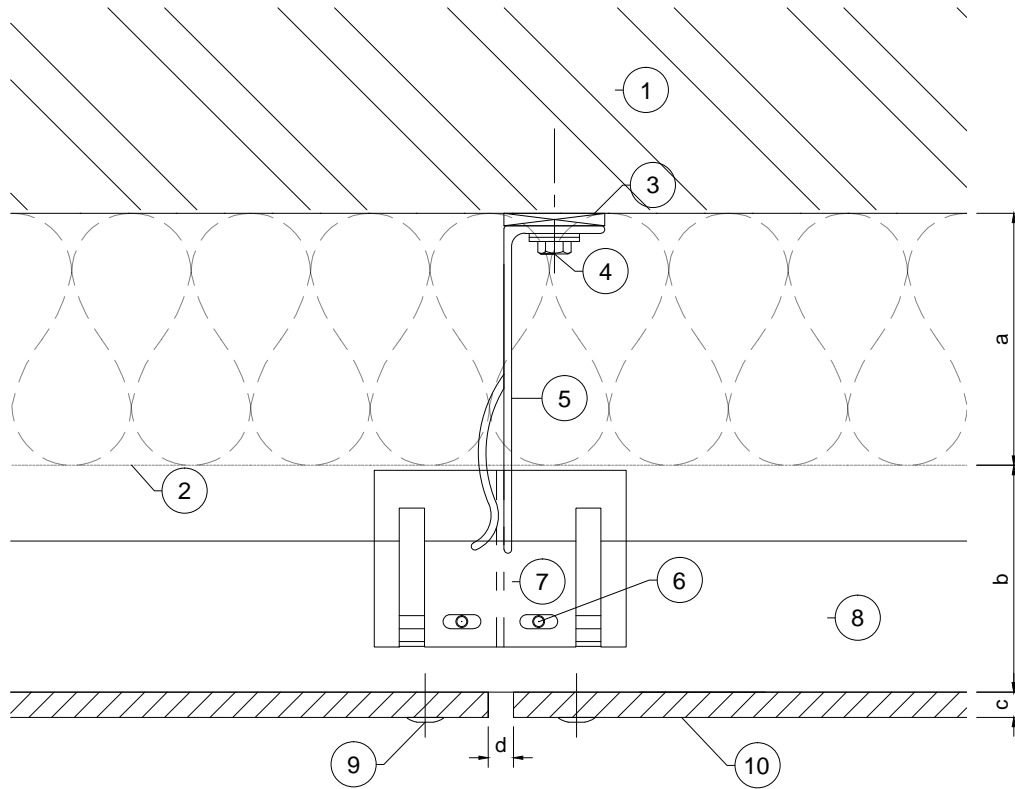
Date:

Sept-2023

Drawn: J.B.

Architectural Panel Solutions Ltd. reserve the right to amend details at any time without prior notice. Reproduction or disclosure to third parties is strictly prohibited and can only be attained through signed, written consent from APS Ltd.

These drawings are indicative only, for use as a guide. The customer is always responsible for any specific design, structural calculations and calculating exact sizes of rails, sizes & quantities of panels. Any project details and calculations supplied by Architectural Panel Solutions are provided in good faith and should always be checked and approved by the project engineer responsible. Architectural Panel Solutions will not accept any liability should the system be designed / installed incorrectly.



Items	
1	Substrate (By Others)
2	Insulation (By Others)
3	DCS031 Isolator Pad
4	Primary fixing will vary subject to substrate composition*
5	DCS031 HELPING HAND Bracket*
6	FDS 4.8x19mm self-drilling screw
7	DCS032 Horizontal Adaptor
8	DCS031 60x40 L Rail
9	Colour Rivets to match panels *
10	Cladding panel

*Please refer to APS Downer Rainscreen Framing brochure

Dimensions	
a	Insulation thickness (varies)
b	Ventilation - Please refer to panel manufacturer / local regulations recommendations
c	Panel nominal thickness
d	Panel joint - Please refer to panel manufacturer.
a+b	Wall cavity - Please refer to DCS031 Cavity range for suitable helping hand bracket

DOWNER
ORIGINAL HELPING HAND SYSTEM

ARCHITECTURAL PANEL SOLUTIONS LIMITED
Unit 5, Wainwright Close, Churchfields Industrial Estate,
St Leonards-on-Sea, TN38 0LP
T: 01424 852641 F: 01424 852797
claddings@architecturalpanelsolutions.com
www.architecturalpanelsolutions.com

Drawing Title:

DCS032 - VISIBLE FIX - TYPICAL DETAILS
VERTICAL PANEL JOINT DETAIL

Drawing Ref:

DCS032-F04

Scale:

NTS
@ A4

System:

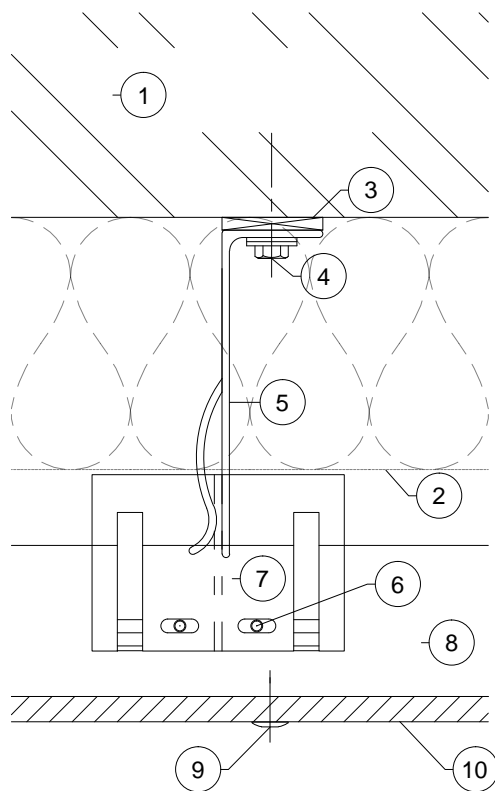
DCS032

Date: Sept-2023

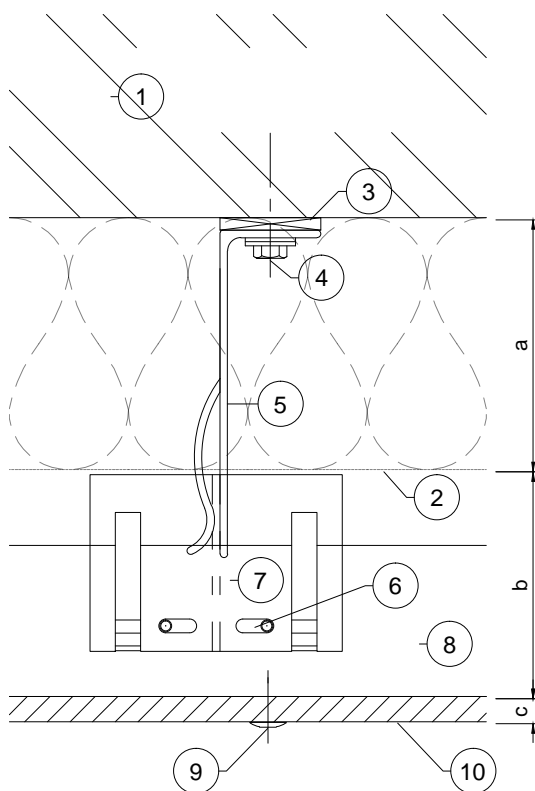
Drawn: J.B.

Rev. //

These drawings are indicative only, for use as a guide. The customer is always responsible for any specific design, structural calculations and calculating exact sizes of rails, sizes & quantities of panels. Any project details and calculations supplied by Architectural Panel Solutions are provided in good faith and should always be checked and approved by the project engineer responsible. Architectural Panel Solutions will not accept any liability should the system be designed / installed incorrectly.



DCS032 Sliding Point Location
(FDS4.8x19 screw centered in slot)



DCS032 Fixed Point Location
(FDS4.8x19 screw at outer edge of slot)

Items	
1	Substrate (By Others)
2	Insulation (By Others)
3	DCS031 Isolator Pad
4	Primary fixing will vary subject to substrate composition*
5	DCS031 HELPING HAND Bracket*
6	FDS 4.8x19mm self-drilling screw
7	DCS032 Horizontal Adaptor
8	DCS031 60x40 L Rail
9	Colour Rivets to match panels *
10	Cladding panel

*Please refer to APS Downer Rainscreen Framing brochure

Dimensions	
a	Insulation thickness (varies)
b	Ventilation - Please refer to panel manufacturer / local regulations recommendations
c	Panel nominal thickness
a+b	Wall cavity - Please refer to DCS031 Cavity range for suitable helping hand bracket



ARCHITECTURAL PANEL SOLUTIONS LIMITED
 Unit 5, Wainwright Close, Churchfields Industrial Estate,
 St Leonards-on-Sea, TN38 0LP
 T: 01424 852641 F: 01424 852797
 claddings@architecturalpanelsolutions.com
 www.architecturalpanelsolutions.com

Drawing Title:

DCS032 - VISIBLE FIX - TYPICAL DETAILS
 INTERMEDIATE SUPPORT DETAIL

Drawing Ref:

DCS032-F05

Scale: NTS
 @ A4

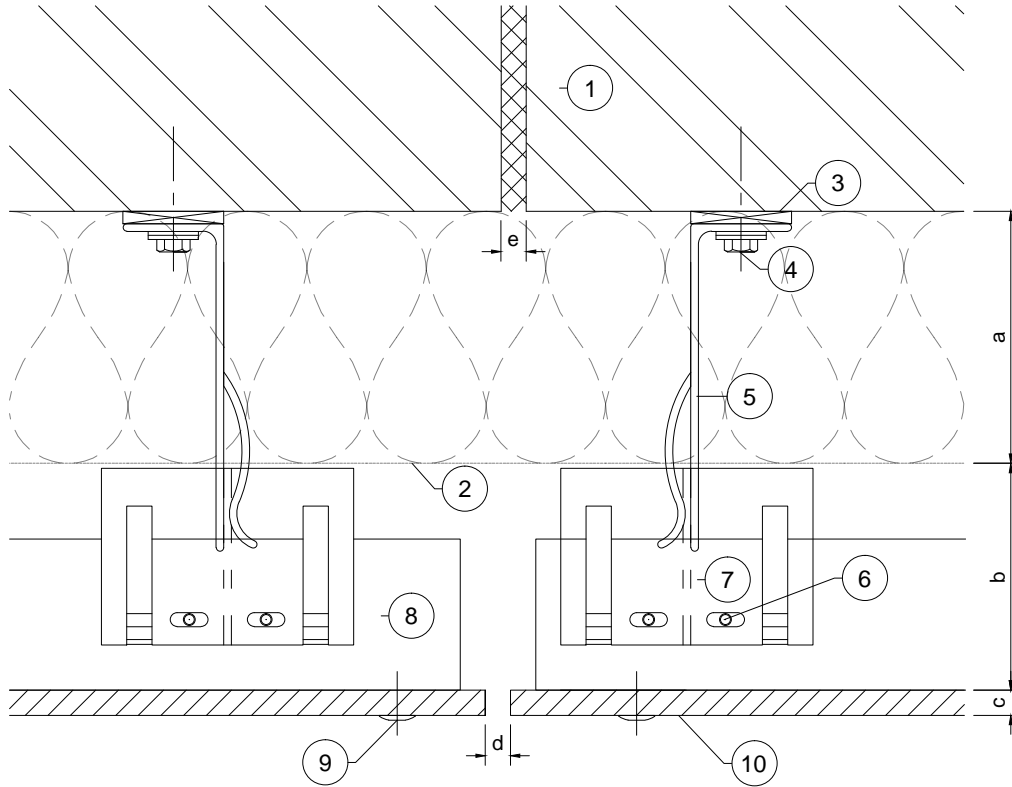
System: DCS032

Date: Sept-2023

Drawn: J.B.

Rev.	/ /		
------	-----	--	--

These drawings are indicative only, for use as a guide. The customer is always responsible for any specific design, structural calculations and calculating exact sizes of rails, sizes & quantities of panels. Any project details and calculations supplied by Architectural Panel Solutions are provided in good faith and should always be checked and approved by the project engineer responsible. Architectural Panel Solutions will not accept any liability should the system be designed / installed incorrectly.



Items	
1	Substrate (By Others)
2	Insulation (By Others)
3	DCS031 Isolator Pad
4	Primary fixing will vary subject to substrate composition*
5	DCS031 HELPING HAND Bracket*
6	FDS 4.8x19mm self-drilling screw
7	DCS032 Horizontal Adaptor
8	DCS031 60x40 L Rail
9	Colour Rivets to match panels *
10	Cladding panel
*Please refer to APS Downer Rainscreen Framing brochure	

Dimensions	
a	Insulation thickness (varies)
b	Ventilation - Please refer to panel manufacturer / local regulations recommendations
c	Panel nominal thickness
d	Panel joint - Please refer to panel manufacturer.
e	Building Structural Movement Joint
a+b	Wall cavity - Please refer to DCS031 Cavity range for suitable helping hand bracket



ARCHITECTURAL PANEL SOLUTIONS LIMITED
 Unit 5, Wainwright Close, Churchfields Industrial Estate,
 St Leonards-on-Sea, TN38 0LP
 T: 01424 852641 F: 01424 852797
 claddings@architecturalpanelsolutions.com
 www.architecturalpanelsolutions.com

Drawing Title:

DCS032 - VISIBLE FIX - TYPICAL DETAILS
BUILDING STRUCTURAL MOVEMENT JOINT DETAIL

Drawing Ref:

DCS032-F06

Scale:

NTS
@ A4

System:

DCS032

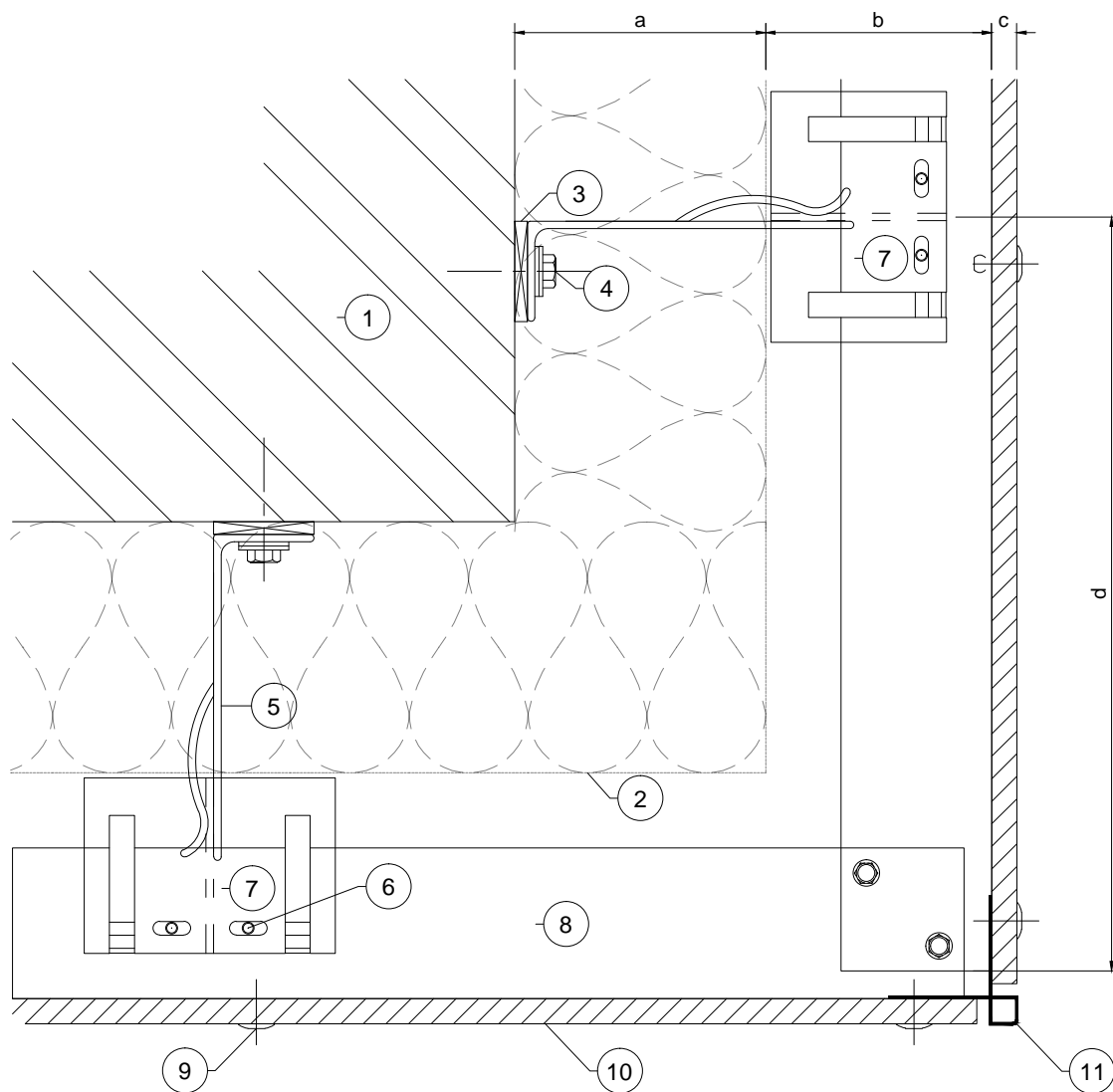
Date:

Sept-2023

Drawn: J.B.

Rev.	/ /		
------	-----	--	--

These drawings are indicative only, for use as a guide. The customer is always responsible for any specific design, structural calculations and calculating exact sizes of rails, sizes & quantities of panels. Any project details and calculations supplied by Architectural Panel Solutions are provided in good faith and should always be checked and approved by the project engineer responsible. Architectural Panel Solutions will not accept any liability should the system be designed / installed incorrectly.



Items	
1	Substrate (By Others)
2	Insulation (By Others)
3	DCS031 Isolator Pad
4	Primary fixing will vary subject to substrate composition*
5	DCS031 HELPING HAND Bracket*
6	FDS 4.8x19mm self-drilling screw
7	DCS032 Horizontal Adaptor
8	DCS031 60x40 L Rail
9	Colour Rivets to match panels *
10	Cladding panel
11	External corner profile *

*Please refer to APS Downer Rainscreen Framing brochure

Dimensions	
a	Insulation thickness (varies)
b	Ventilation - Please refer to panel manufacturer / local regulations recommendations
c	Panel nominal thickness
d	Maximum Cantilever to be confirmed by project specific static calculations. Please contact APS Technical.
a+b	Wall cavity - Please refer to DCS031 Cavity range for suitable helping hand bracket

DOWNER
ORIGINAL HELPING HAND SYSTEM

ARCHITECTURAL PANEL SOLUTIONS LIMITED
Unit 5, Wainwright Close, Churchfields Industrial Estate,
St Leonards-on-Sea, TN38 0LP
T: 01424 852641 F: 01424 852797
claddings@architecturalpanelsolutions.com
www.architecturalpanelsolutions.com

Drawing Title:

DCS032 - VISIBLE FIX - TYPICAL DETAILS
EXTERNAL CORNER DETAIL

Drawing Ref:

DCS032-F07

Scale:

NTS
@ A4

System:

DCS032

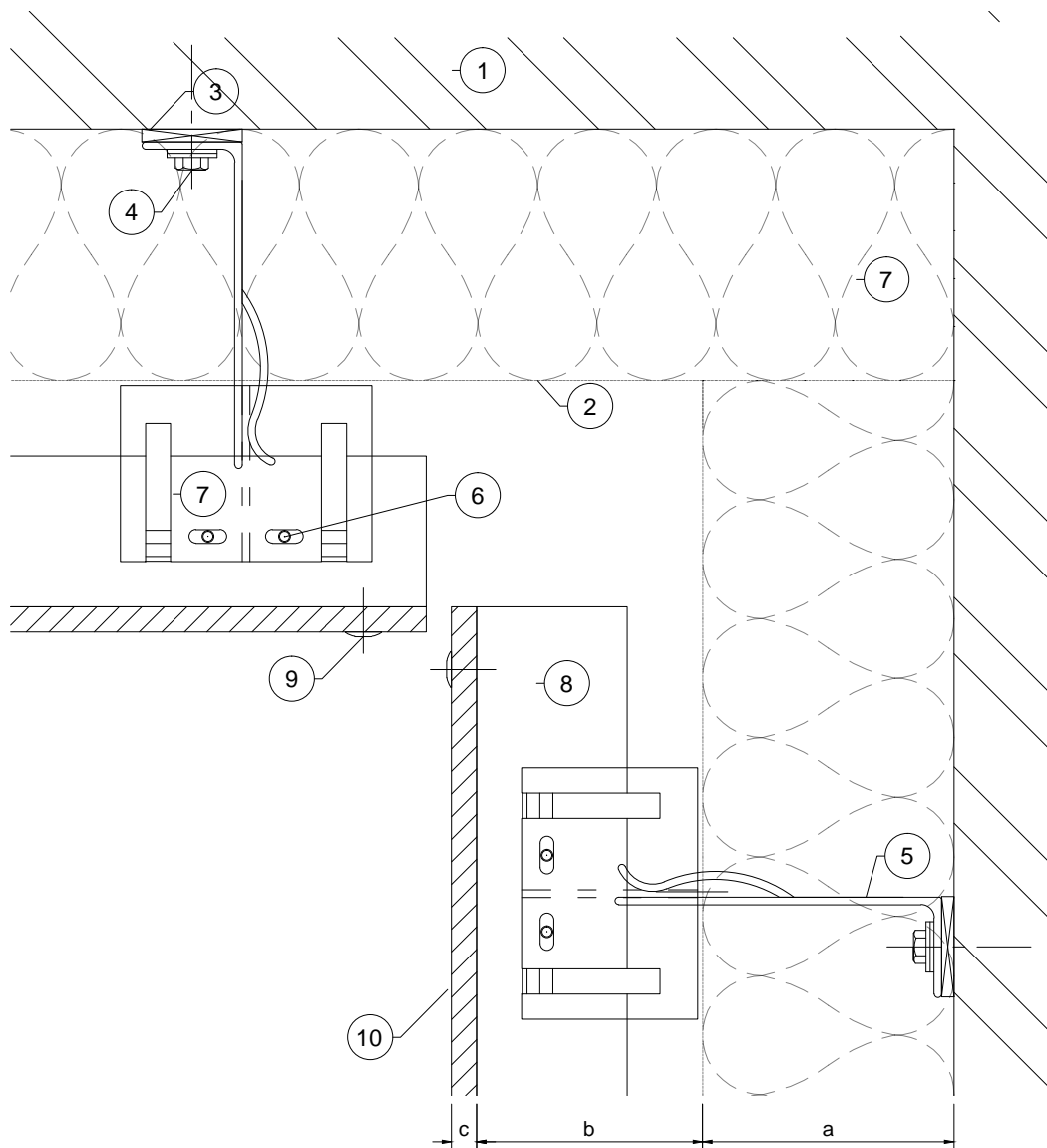
Date:

Sept-2023

Drawn: J.B.

Rev. //

These drawings are indicative only, for use as a guide. The customer is always responsible for any specific design, structural calculations and calculating exact sizes of rails, sizes & quantities of panels. Any project details and calculations supplied by Architectural Panel Solutions are provided in good faith and should always be checked and approved by the project engineer responsible. Architectural Panel Solutions will not accept any liability should the system be designed / installed incorrectly.



Items	
1	Substrate (By Others)
2	Insulation (By Others)
3	DCS031 Isolator Pad
4	Primary fixing will vary subject to substrate composition*
5	DCS031 HELPING HAND Bracket*
6	FDS 4.8x19mm self-drilling screw
7	DCS032 Horizontal Adaptor
8	DCS031 60x40 L Rail
9	Colour Rivets to match panels *
10	Cladding panel

*Please refer to APS Downer Rainscreen Framing brochure

Dimensions	
a	Insulation thickness (varies)
b	Ventilation - Please refer to panel manufacturer / local regulations recommendations
c	Panel nominal thickness
a+b	Wall cavity - Please refer to DCS031 Cavity range for suitable helping hand bracket

DOWNER
ORIGINAL HELPING HAND SYSTEM

ARCHITECTURAL PANEL SOLUTIONS LIMITED
Unit 5, Wainwright Close, Churchfields Industrial Estate,
St Leonards-on-Sea, TN38 0LP
T: 01424 852641 F: 01424 852797
claddings@architecturalpanelsolutions.com
www.architecturalpanelsolutions.com

Drawing Title:

DCS032 - VISIBLE FIX - TYPICAL DETAILS
INTERNAL CORNER DETAIL

Drawing Ref:

DCS032-F08

Scale:

NTS
@ A4

System:

DCS032

Date:

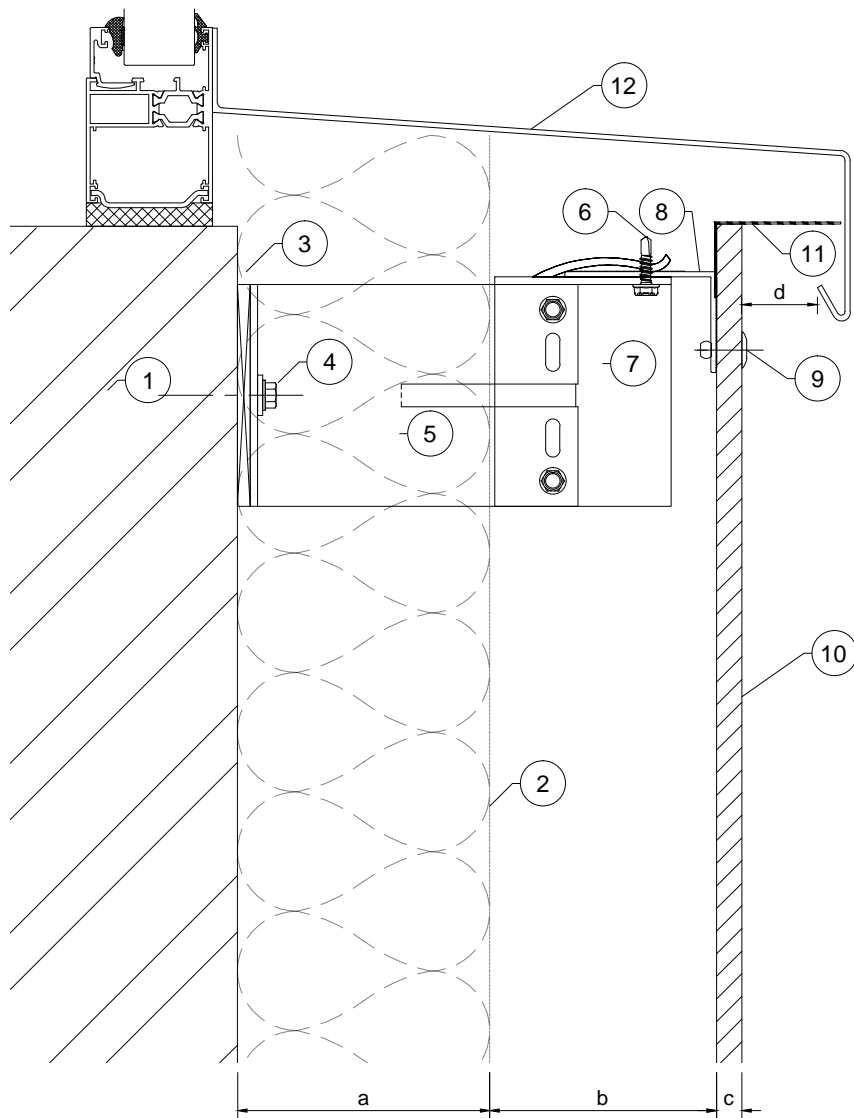
Sept-2023

Drawn: J.B.

Rev. //

Architectural Panel Solutions Ltd. reserve the right to amend details at any time without prior notice. Reproduction or disclosure to third parties is strictly prohibited and can only be attained through signed, written consent from APS Ltd.

These drawings are indicative only, for use as a guide. The customer is always responsible for any specific design, structural calculations and calculating exact sizes of rails, sizes & quantities of panels. Any project details and calculations supplied by Architectural Panel Solutions are provided in good faith and should always be checked and approved by the project engineer responsible. Architectural Panel Solutions will not accept any liability should the system be designed / installed incorrectly.



Items	
1	Substrate (By Others)
2	Insulation (By Others)
3	DCS031 Isolator Pad
4	Primary fixing will vary subject to substrate composition*
5	DCS031 Double Helping Hand Bracket*
6	FDS 4.8x19mm self-drilling screw
7	DCS032 Horizontal Adaptor
8	DCS031 60x40 L Rail
9	Colour Rivets to match panels *
10	Cladding panel
11	Ventilation Profile *
12	Window sill detail to project requirement (by others)

*Please refer to APS Downer Rainscreen Framing brochure

Dimensions	
a	Insulation thickness (varies)
b	Ventilation - Please refer to panel manufacturer / local regulations recommendations
c	Panel nominal thickness
d	Ventilation inlet/outlet gaps - please refer to panel manufacturer / local regulations recommendations
a+b	Wall cavity - Please refer to DCS031 Cavity range for suitable helping hand bracket

Rev.	/ /		
------	-----	--	--



ARCHITECTURAL PANEL SOLUTIONS LIMITED
 Unit 5, Wainwright Close, Churchfields Industrial Estate,
 St Leonards-on-Sea, TN38 0LP
 T: 01424 852641 F: 01424 852797
 claddings@architecturalpanelsolutions.com
 www.architecturalpanelsolutions.com

Drawing Title:

**DCS032 - VISIBLE FIX - TYPICAL DETAILS
 GENERIC WINDOW SILL DETAIL**

Drawing Ref:

DCS032-F09

Scale:

NTS
@ A4

System:

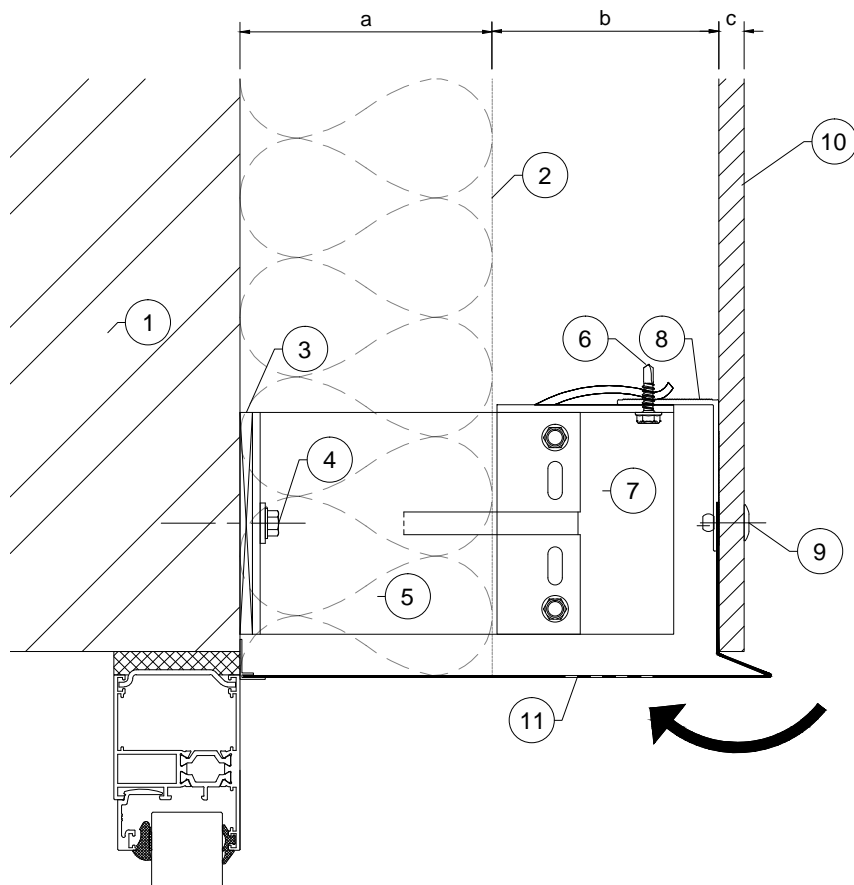
DCS032

Date:

Sept-2023

Drawn: J.B.

These drawings are indicative only, for use as a guide. The customer is always responsible for any specific design, structural calculations and calculating exact sizes of rails, sizes & quantities of panels. Any project details and calculations supplied by Architectural Panel Solutions are provided in good faith and should always be checked and approved by the project engineer responsible. Architectural Panel Solutions will not accept any liability should the system be designed / installed incorrectly.



Items	
1	Substrate (By Others)
2	Insulation (By Others)
3	DCS031 Isolator Pad
4	Primary fixing will vary subject to substrate composition*
5	DCS031 Single HELPING HAND Bracket*
6	FDS 4.8x19mm self-drilling screw
7	DCS032 Horizontal Adaptor
8	DCS031 60x40 L Rail
9	Colour Rivets to match panels *
10	Cladding panel
11	Window head detail to project requirement (by others)

*Please refer to APS Downer Rainscreen Framing brochure

Dimensions	
a	Insulation thickness (varies)
b	Ventilation - Please refer to panel manufacturer / local regulations recommendations
c	Panel nominal thickness
a+b	Wall cavity - Please refer to DCS031 Cavity range for suitable helping hand bracket

Rev.	/ /	
------	-----	--



ARCHITECTURAL PANEL SOLUTIONS LIMITED
 Unit 5, Wainwright Close, Churchfields Industrial Estate,
 St Leonards-on-Sea, TN38 0LP
 T: 01424 852641 F: 01424 852797
 claddings@architecturalpanelsolutions.com
 www.architecturalpanelsolutions.com

Drawing Title:

**DCS032 - VISIBLE FIX - TYPICAL DETAILS
 GENERIC WINDOW HEAD DETAIL**

Drawing Ref:

DCS032-F10

Scale:

NTS
@ A4

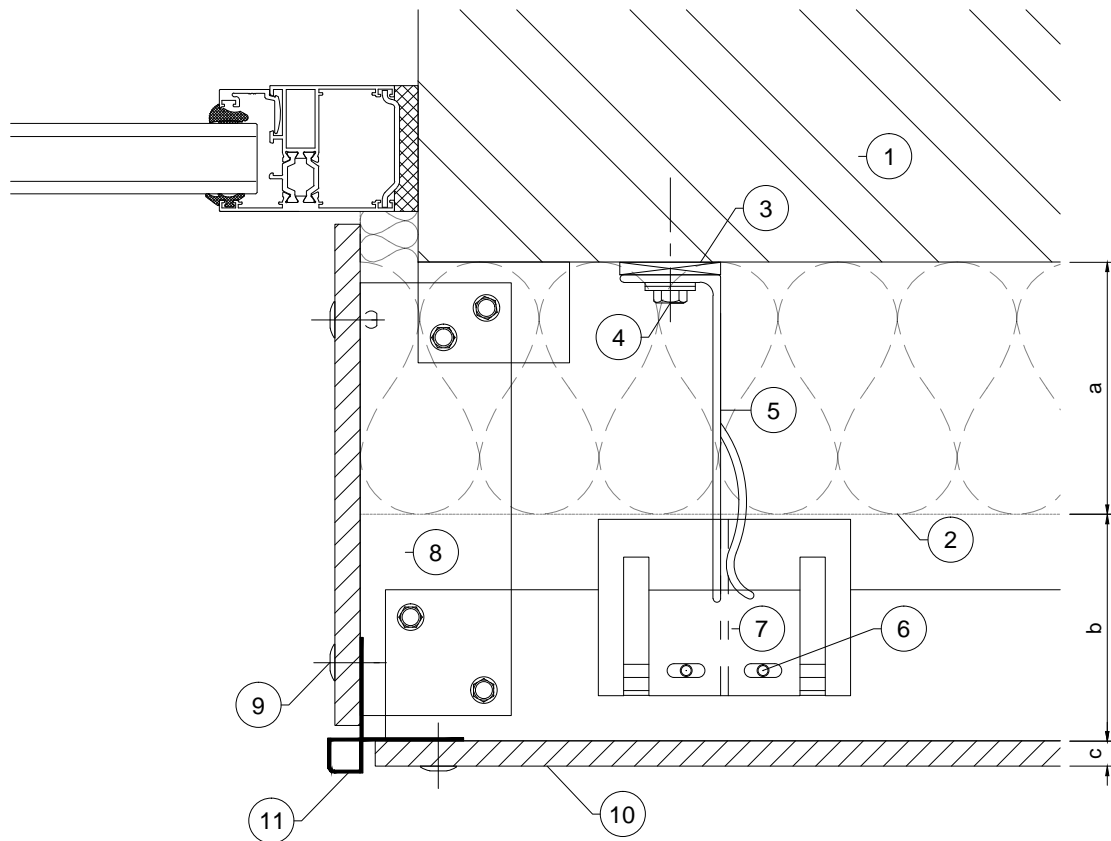
System:

DCS032

Date: Sept-2023

Drawn: J.B.

These drawings are indicative only, for use as a guide. The customer is always responsible for any specific design, structural calculations and calculating exact sizes of rails, sizes & quantities of panels. Any project details and calculations supplied by Architectural Panel Solutions are provided in good faith and should always be checked and approved by the project engineer responsible. Architectural Panel Solutions will not accept any liability should the system be designed / installed incorrectly.



Items	
1	Substrate (By Others)
2	Insulation (By Others)
3	DCS031 Isolator Pad
4	Primary fixing will vary subject to substrate composition*
5	DCS031 HELPING HAND Bracket*
6	FDS 4.8x19mm self-drilling screw
7	DCS032 Horizontal Adaptor
8	DCS031 60x40 L Rail
9	Colour Rivets to match panels *
10	Cladding panel
11	External corner profile *

*Please refer to APS Downer Rainscreen Framing brochure

Dimensions	
a	Insulation thickness (varies)
b	Ventilation - Please refer to panel manufacturer / local regulations recommendations
c	Panel nominal thickness
a+b	Wall cavity - Please refer to DCS031 Cavity range for suitable helping hand bracket

DOWNER
ORIGINAL HELPING HAND SYSTEM

ARCHITECTURAL PANEL SOLUTIONS LIMITED
Unit 5, Wainwright Close, Churchfields Industrial Estate,
St Leonards-on-Sea, TN38 0LP
T: 01424 852641 F: 01424 852797
claddings@architecturalpanelsolutions.com
www.architecturalpanelsolutions.com

Drawing Title:

DCS032 - VISIBLE FIX - TYPICAL DETAILS
WINDOW JAMB DETAIL

Drawing Ref:

DCS032-F11

Scale:

NTS
@ A4

System:

DCS032

Date:

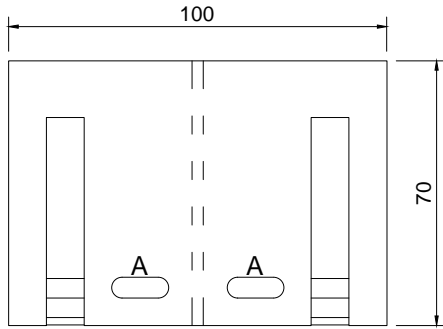
Sept-2023

Drawn: J.B.

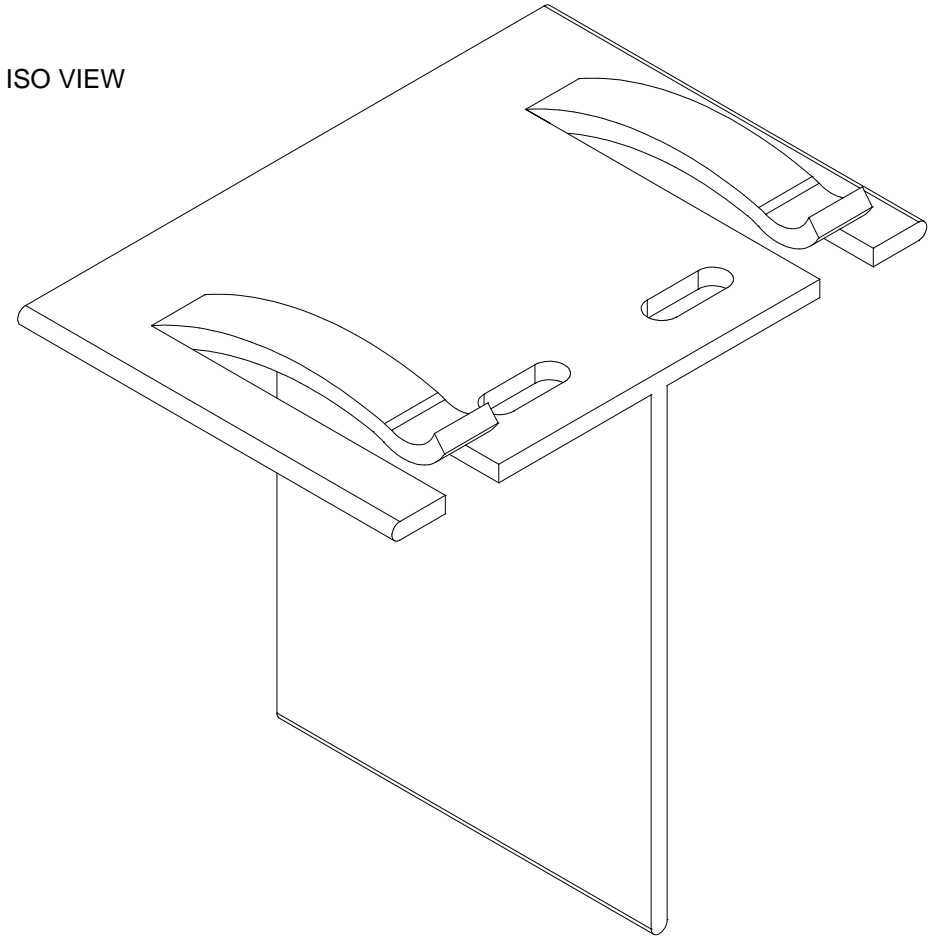
Rev.	/ /	
------	-----	--

These drawings are indicative only, for use as a guide. The customer is always responsible for any specific design, structural calculations and calculating exact sizes of rails, sizes & quantities of panels. Any project details and calculations supplied by Architectural Panel Solutions are provided in good faith and should always be checked and approved by the project engineer responsible. Architectural Panel Solutions will not accept any liability should the system be designed / installed incorrectly.

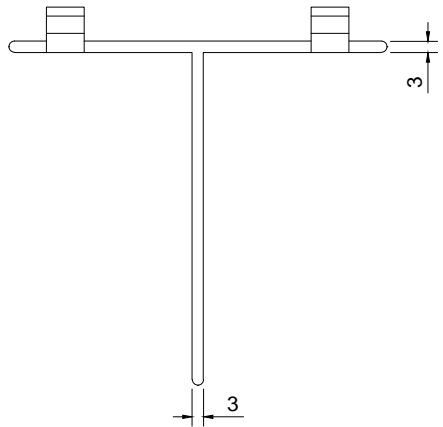
TOP VIEW



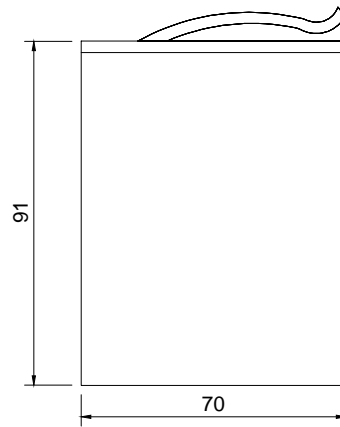
ISO VIEW



FRONT VIEW



SIDE VIEW



DCS032 HORIZONTAL ADAPTOR EXTRUDED ALLOY GRADE: 6063T6		
REF	DIM 'X'	A = 2No. 5.5mm x 15mm Slots
DCS032	100	

Rev.	/ /		
------	-----	--	--



ARCHITECTURAL PANEL SOLUTIONS LIMITED
 Unit 5, Wainwright Close, Churchfields Industrial Estate,
 St Leonards-on-Sea, TN38 0LP
 T: 01424 852641 F: 01424 852797
 claddings@architecturalpanelsolutions.com
 www.architecturalpanelsolutions.com

Drawing Title:

**DCS032 HORIZONTAL ADAPTOR
 SPECIFICATIONS**

Drawing Ref:

DCS032-F12

Scale:

NTS
 @ A4

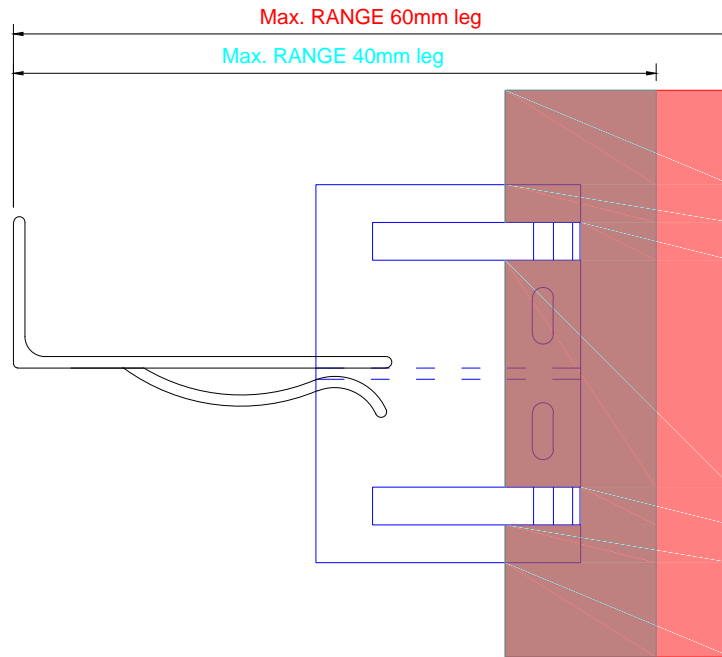
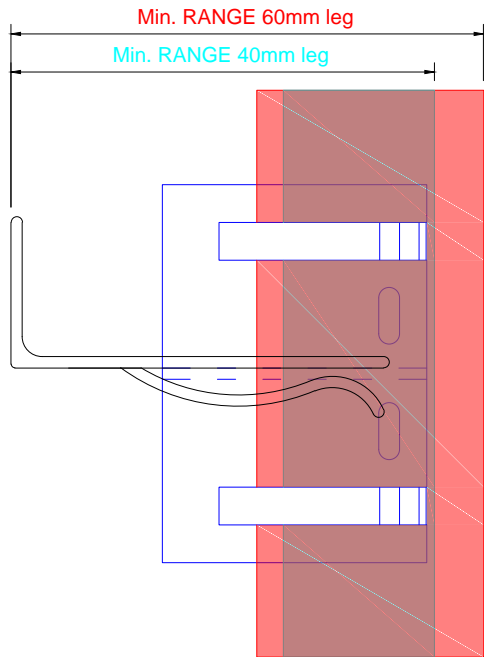
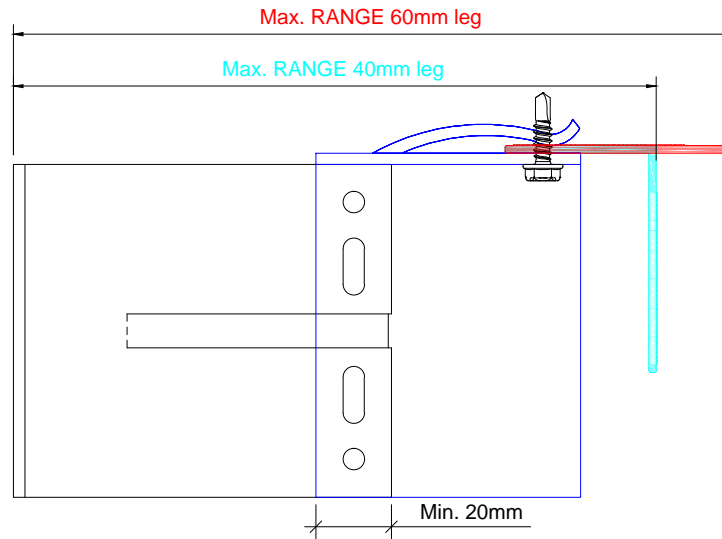
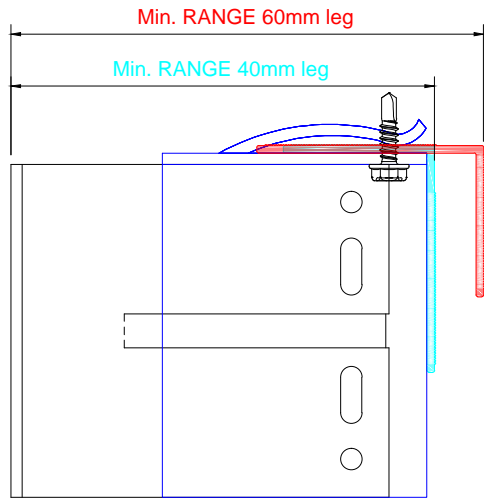
System:

DCS032

Date: Sept-2023

Drawn: J.B.

These drawings are indicative only, for use as a guide. The customer is always responsible for any specific design, structural calculations and calculating exact sizes of rails, sizes & quantities of panels. Any project details and calculations supplied by Architectural Panel Solutions are provided in good faith and should always be checked and approved by the project engineer responsible. Architectural Panel Solutions will not accept any liability should the system be designed / installed incorrectly.



Framing Zone - Range (R)

Bracket Ref. Single	Bracket Ref. Double	Range - 40mm Leg into Bracket		Range - 60mm Leg into Bracket	
HH-Single40	N/a	81mm	110mm	99mm	130mm
HH-Single45	N/a	86mm	115mm	104mm	135mm
HH-Single50	N/a	91mm	120mm	109mm	140mm
HH-Single60	N/a	101mm	130mm	119mm	150mm
HH-Single70	HH-Double70	111mm	140mm	129mm	160mm
HH-Single100	HH-Double100	112mm	170mm	125mm	190mm
HH-Single130	HH-Double130	142mm	200mm	155mm	220mm
HH-Single160	HH-Double160	172mm	230mm	185mm	250mm
HH-Single190	HH-Double190	202mm	260mm	215mm	280mm
HH-Single220	HH-Double220	232mm	290mm	245mm	310mm
HH-Single250	HH-Double250	262mm	320mm	275mm	340mm
HH-Single280	HH-Double280	292mm	350mm	305mm	370mm
-	HH-Double310	322mm	380mm	335mm	400mm
-	HH-Double340	352mm	410mm	365mm	430mm
-	HH-Double370	382mm	440mm	395mm	460mm
-	HH-Double400	412mm	470mm	425mm	490mm

Add 5mm to include - Thermostop pad
Add 7mm to include - IsoPad

Rev.	/ /		
------	-----	--	--



ARCHITECTURAL PANEL SOLUTIONS LIMITED
Unit 5, Wainwright Close, Churchfields Industrial Estate,
St Leonards-on-Sea, TN38 0LP
T: 01424 852641 F: 01424 852797
claddings@architecturalpanelsolutions.com
www.architecturalpanelsolutions.com

Drawing Title:

**DCS032 HORIZONTAL ADAPTOR
CAVITY RANGE**

Drawing Ref:

DCS032-F13

Scale:

NTS
@ A4

System:

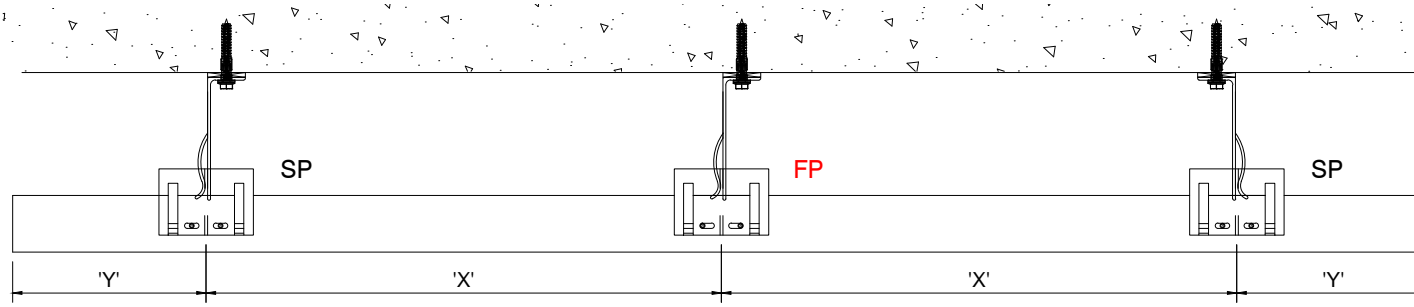
DCS032

Date: Sept-2023

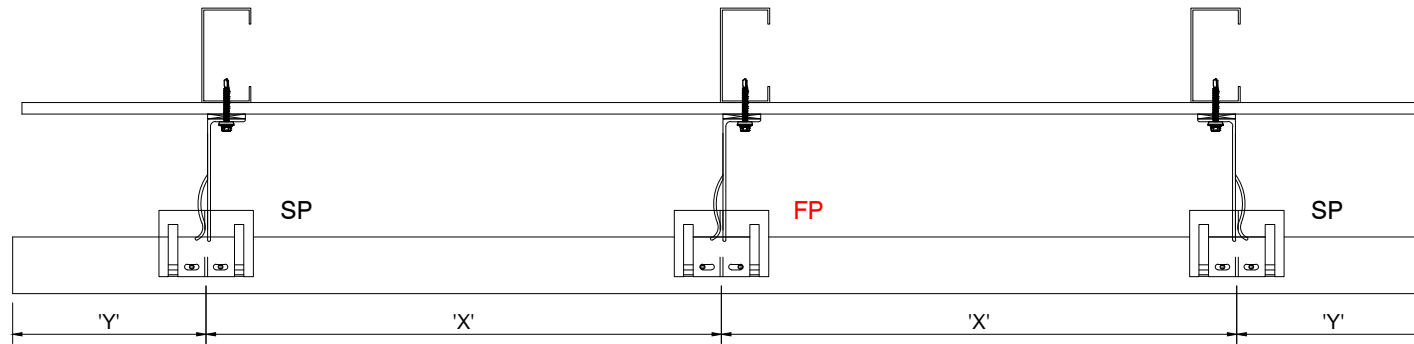
Drawn: J.B.

These drawings are indicative only, for use as a guide. The customer is always responsible for any specific design, structural calculations and calculating exact sizes of rails, sizes & quantities of panels. Any project details and calculations supplied by Architectural Panel Solutions are provided in good faith and should always be checked and approved by the project engineer responsible. Architectural Panel Solutions will not accept any liability should the system be designed / installed incorrectly.

Typical Masonry /
Concrete Fix Set-Out



Typical SFS
Fix Set-Out



DCS032 FIX POINT

DCS032 SLIDING POINT

'FP' - Fixed Point - Standard Static Calculations based on the fixed point located at bracket closer to the rail centre as shown.

N.B. Location of the 'FP' Bracket is not Critical and non-standard static calculations can be requested.

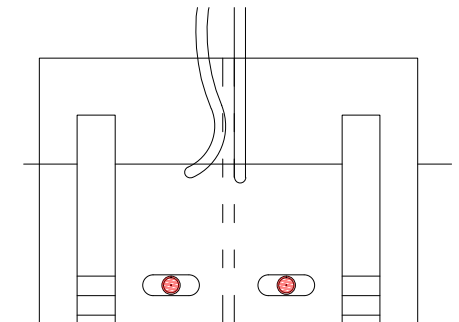
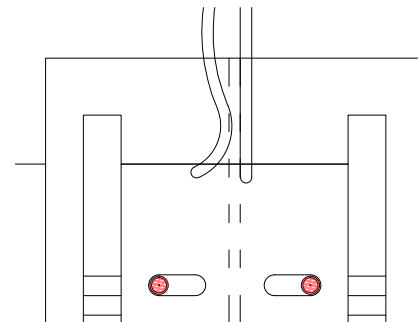
Key:-

FP = Fixed Point Bracket

'X' = Ref. Calcs For Max. Spans

SP = Sliding Point Bracket

'Y' = Ref. Calcs For Max. Cantilever



Rev.	//		
------	----	--	--



ARCHITECTURAL PANEL SOLUTIONS LIMITED
 Unit 5, Wainwright Close, Churchfields Industrial Estate,
 St Leonards-on-Sea, TN38 0LP
 T: 01424 852641 F: 01424 852797
 claddings@architecturalpanelsolutions.com
 www.architecturalpanelsolutions.com

Drawing Title:

DCS032 HORIZONTAL ADAPTOR
 TYPICAL SET OUT - TOP VIEW

Drawing Ref:

DCS032-F14

Scale:

NTS
 @ A4

System:

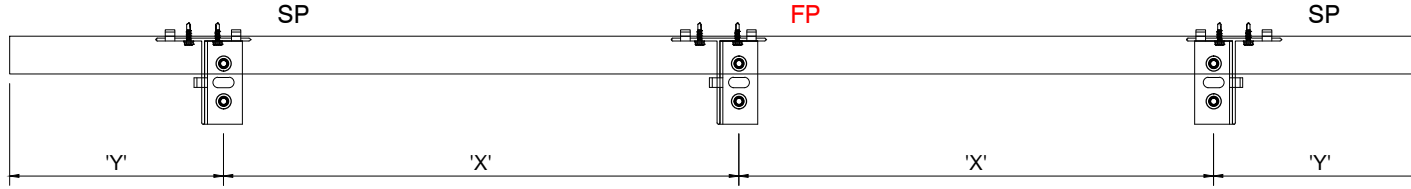
DCS032

Date: Sept-2023

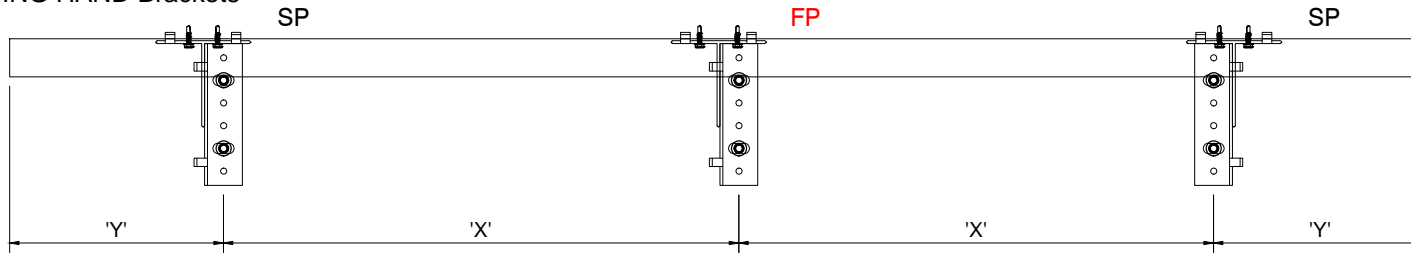
Drawn: J.B.

These drawings are indicative only, for use as a guide. The customer is always responsible for any specific design, structural calculations and calculating exact sizes of rails, sizes & quantities of panels. Any project details and calculations supplied by Architectural Panel Solutions are provided in good faith and should always be checked and approved by the project engineer responsible. Architectural Panel Solutions will not accept any liability should the system be designed / installed incorrectly.

Typical Set-Out using
DCS031 Single HELPING HAND Brackets



Typical Set-Out using
DCS031 Double HELPING HAND Brackets



'FP' - Fixed Point - Standard Static Calculations based on the fixed point located at bracket closer to the rail centre as shown.

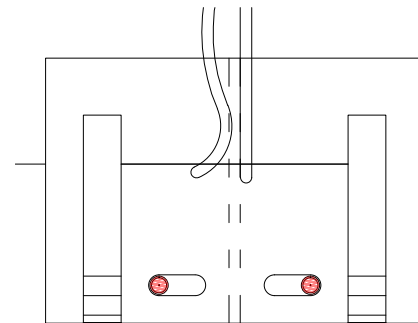
N.B. Location of the 'FP' Bracket is not Critical and non-standard static calculations can be requested.

Key:-

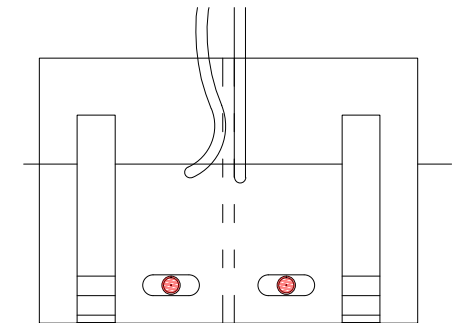
FP = Fixed Point Bracket 'X' = Ref. Calcs For Max. Spans
SP = Sliding Point Bracket 'Y' = Ref. Calcs For Max. Cantilever

IMPORTANT.- The use of DCS031 Single or Double HELPING HAND Bracket will be dictated by project specific static calculations. Please contact APS Technical.

DCS032 FIX POINT



DCS032 SLIDING POINT



Rev.	//		
------	----	--	--



ARCHITECTURAL PANEL SOLUTIONS LIMITED
Unit 5, Wainwright Close, Churchfields Industrial Estate,
St Leonards-on-Sea, TN38 0LP
T: 01424 852641 F: 01424 852797
claddings@architecturalpanelsolutions.com
www.architecturalpanelsolutions.com

Drawing Title:

DCS032 HORIZONTAL ADAPTOR
TYPICAL SET OUT - FRONT VIEW

Drawing Ref:

DCS032-F15

Scale:

NTS
@ A4

System:

DCS032

Date: Sept-2023

Drawn: J.B.