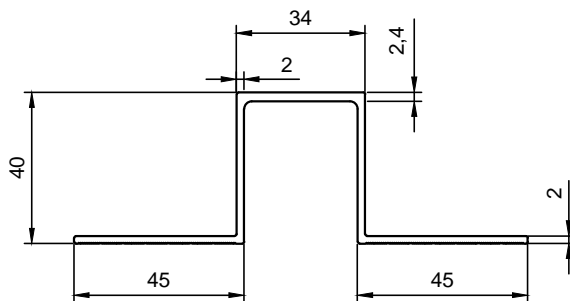
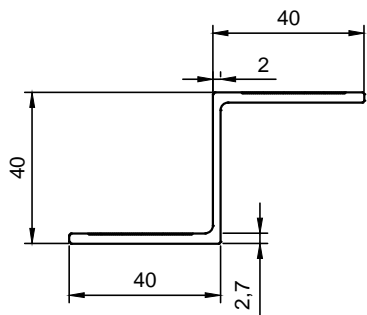
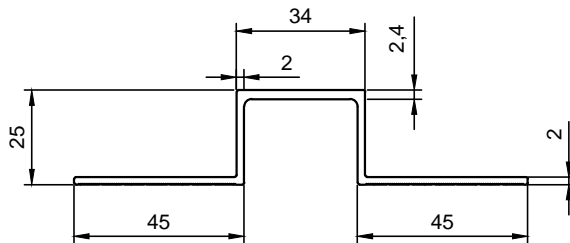
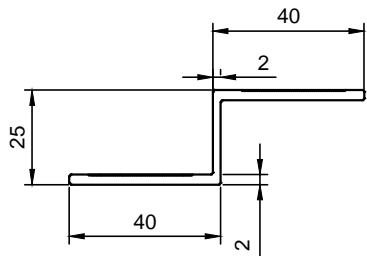


These drawings are indicative only, for use as a guide. The customer is always responsible for any specific design, structural calculations and calculating exact sizes of rails, sizes & quantities of panels. Any project details and calculations supplied by Architectural Panel Solutions are provided in good faith and should always be checked and approved by the project engineer responsible. Architectural Panel Solutions will not accept any liability should the system be designed / installed incorrectly.



DCS021 CARRIER RAILS - EXTRUDED  
ALLOY GRADE: 6005 T6

REF	DESCRIPTION	LENGTH
ZED25-3	Zed Carrier Rail	3000
ZED25-6	Zed Carrier Rail	6000
OM25-3	Omega Carrier Rail	3000
OM25-6	Omega Carrier Rail	6000
ZED40-3	Zed Carrier Rail	3000
ZED40-6	Zed Carrier Rail	6000
OM40-3	Omega Carrier Rail	3000
OM40-6	Omega Carrier Rail	6000

Rev.	/ /		
------	-----	--	--

**Architectural**  
PANEL SOLUTIONS

**ARCHITECTURAL PANEL SOLUTIONS LIMITED**  
Unit 5, Wainwright Close, Churchfields Industrial Estate,  
St Leonards-on-Sea, TN38 0LP  
T: 01424 852641 F: 01424 852797  
claddings@architecturalpanelsolutions.com  
www.architecturalpanelsolutions.com

Drawing Title:

DCS021 - RAILS

Drawing Ref:

DCS021-RAILS

Scale:

NTS  
@ A4

System:

DCS021

Date:

March-21

Drawn: IS