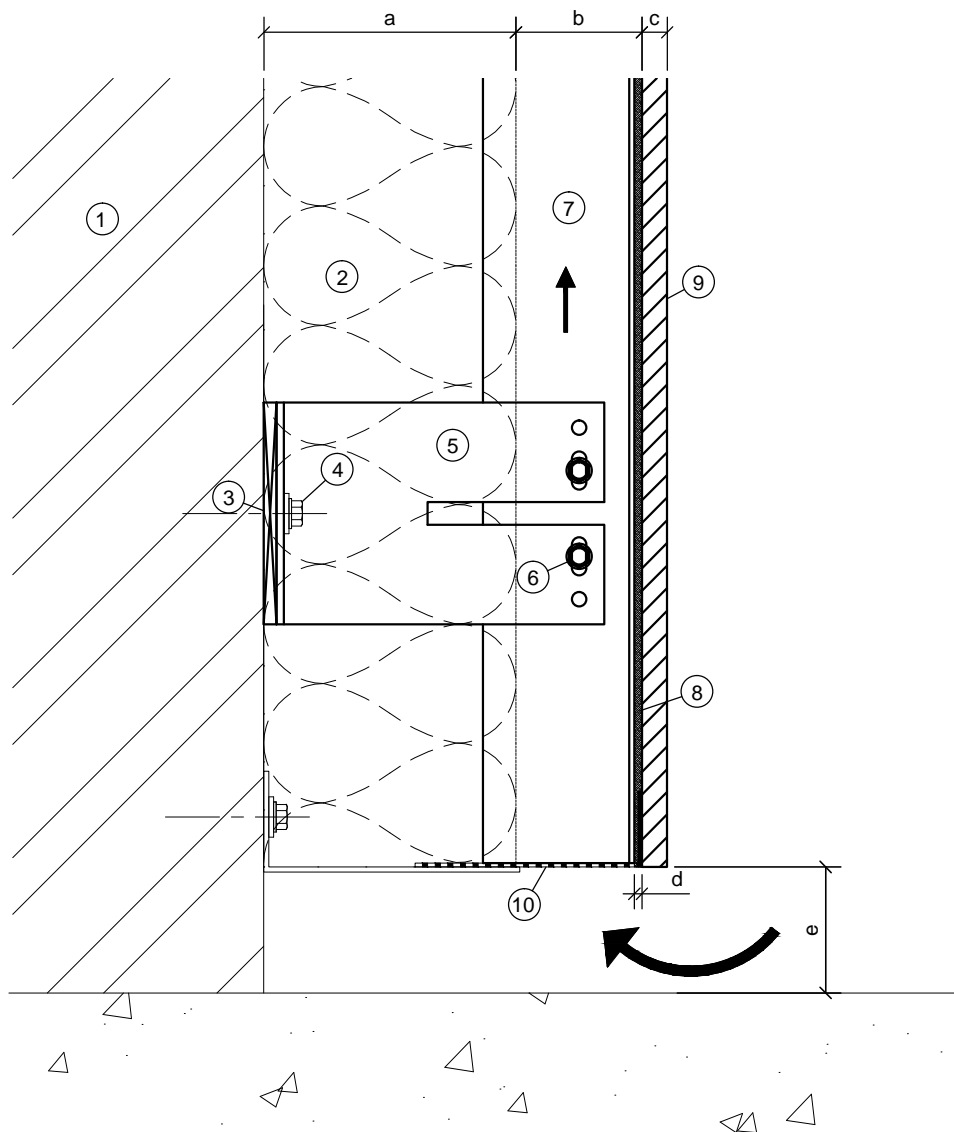


These drawings are indicative only, for use as a guide. The customer is always responsible for any specific design, structural calculations and calculating exact sizes of rails, sizes & quantities of panels. Any project details and calculations supplied by Architectural Panel Solutions are provided in good faith and should always be checked and approved by the project engineer responsible. Architectural Panel Solutions will not accept any liability should the system be designed / installed incorrectly.



Items	
1	Substrate (By others)
2	Insulation (By Others)
3	DCS031 Isolator Pad
4	Primary fixing will vary subject to substrate composition *
5	DCS031 Helping Hand Bracket
6	FDS 4.8x19mm self-drilling screw
7	DCS031 Vertical Carrier Rail
8	Adhesive - refer to manufacturer's instructions
9	Cladding Panel
10	Ventilation Profile *

*Please refer to APS Downer Rainscreen Framing brochure

Dimensions	
a	Insulation thickness (varies)
b	Ventilation - Please refer to panel manufacturer / local regulations recommendations
c	Panel nominal thickness
d	Adhesive depth
e	Base distance - Please refer to panel manufacturer recommendation
a+b	Wall cavity - Please refer to DCS031 cavity range for suitable helping hand bracket

Rev.	/ /	
------	-----	--

Architectural
PANEL SOLUTIONS

ARCHITECTURAL PANEL SOLUTIONS LIMITED
Unit 5, Wainwright Close, Churchfields Industrial Estate,
St Leonards-on-Sea, TN38 0LP
T: 01424 852641 F: 01424 852797
claddings@architecturalpanelsolutions.com
www.architecturalpanelsolutions.com

Drawing Title:

**DCS031 - ADHESIVE FIX - TYPICAL DETAILS
BASE DETAIL**

Drawing Ref:

DCS031-A01

Scale:

NTS
@ A4

System:

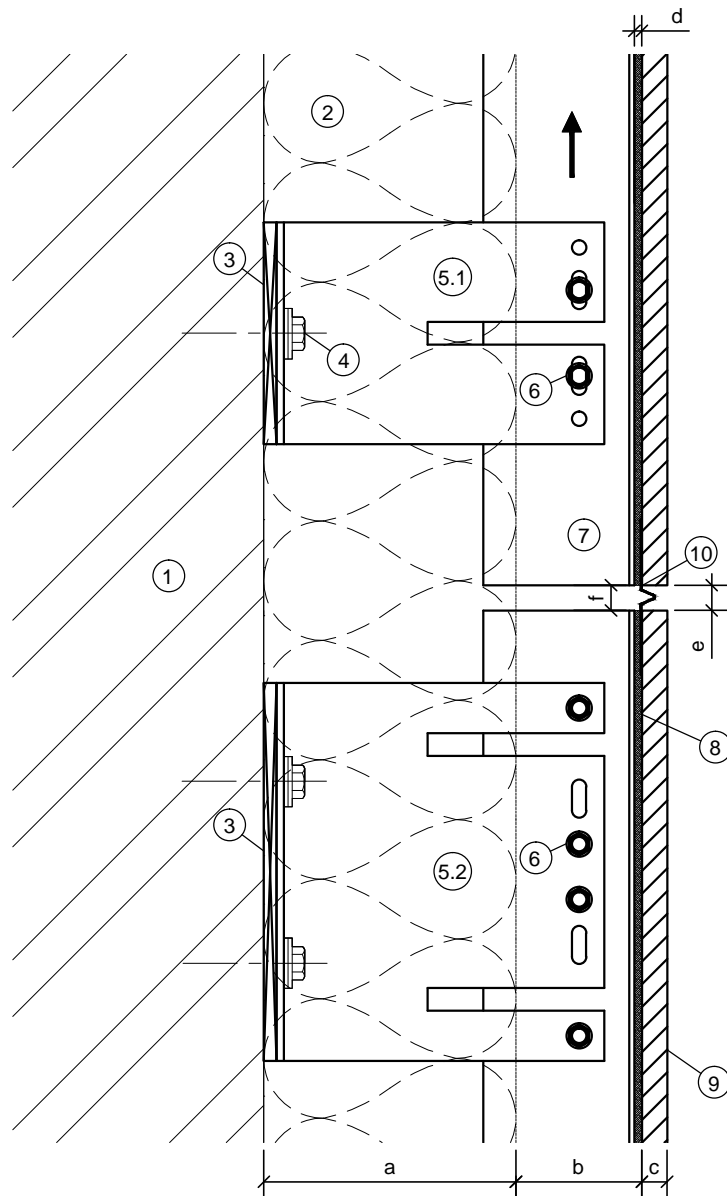
DCS031

Date:

March-21

Drawn: IS

These drawings are indicative only, for use as a guide. The customer is always responsible for any specific design, structural calculations and calculating exact sizes of rails, sizes & quantities of panels. Any project details and calculations supplied by Architectural Panel Solutions are provided in good faith and should always be checked and approved by the project engineer responsible. Architectural Panel Solutions will not accept any liability should the system be designed / installed incorrectly.



Items	
1	Substrate (By others)
2	Insulation (By Others)
3	DCS031 Isolator Pad
4	Primary fixing will vary subject to substrate composition *
5.1	DCS031 Single Helping Hand Bracket
5.2	DCS031 Double Helping Hand Bracket
6	FDS 4.8x19mm self-drilling screw
7	DCS031 Vertical Carrier Rail
8	Adhesive - refer to manufacturer's instructions
9	Cladding Panel
10	Birds Beak Profile *

*Please refer to APS Downer Rainscreen Framing brochure

Dimensions	
a	Insulation thickness (varies)
b	Ventilation - Please refer to panel manufacturer / local regulations recommendations
c	Panel nominal thickness
d	Adhesive depth
e	Panel Joint - Please refer to panel manufacturer.
f	Rail Joint - Minimum 10mm (cladding panels should not be fixed to two adjacent vertical rails)
a+b	Wall cavity - Please refer to DCS031 cavity range for suitable helping hand bracket

Rev.	/ /		
------	-----	--	--

Architectural
PANEL SOLUTIONS

ARCHITECTURAL PANEL SOLUTIONS LIMITED
Unit 5, Wainwright Close, Churchfields Industrial Estate,
St Leonards-on-Sea, TN38 0LP
T: 01424 852641 F: 01424 852797
claddings@architecturalpanelsolutions.com
www.architecturalpanelsolutions.com

Drawing Title:

DCS031 - ADHESIVE FIX - TYPICAL DETAILS
HORIZONTAL PANEL JOINT DETAIL

Drawing Ref:

DCS031-A02

Scale:

NTS
@ A4

System:

DCS031

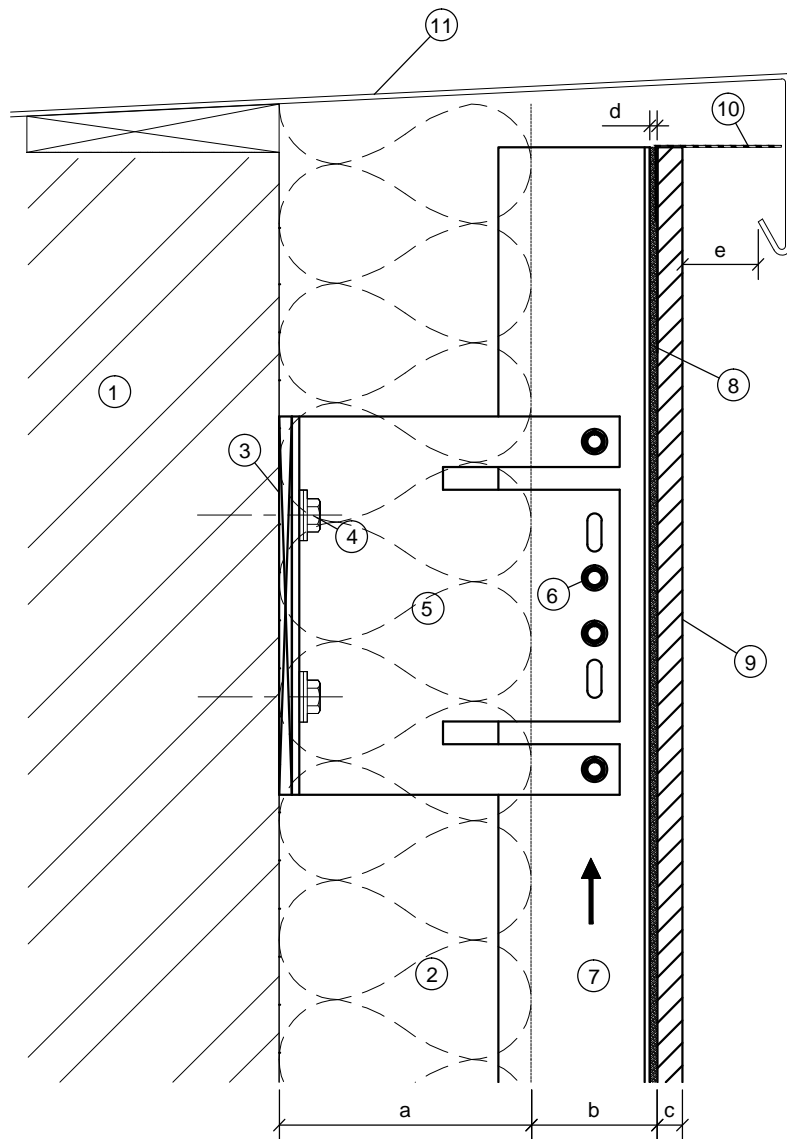
Date:

March-21

Drawn: IS

Architectural Panel Solutions Ltd. reserve the right to amend details at any time without prior notice. Reproduction or disclosure to third parties is strictly prohibited and can only be attained through signed, written consent from APS Ltd.

These drawings are indicative only, for use as a guide. The customer is always responsible for any specific design, structural calculations and calculating exact sizes of rails, sizes & quantities of panels. Any project details and calculations supplied by Architectural Panel Solutions are provided in good faith and should always be checked and approved by the project engineer responsible. Architectural Panel Solutions will not accept any liability should the system be designed / installed incorrectly.



Items	
1	Substrate (By others)
2	Insulation (By Others)
3	DCS031 Isolator Pad
4	Primary fixing will vary subject to substrate composition *
5	DCS031 Helping Hand Bracket
6	FDS 4.8x19mm self-drilling screw
7	DCS031 Vertical Carrier Rail
8	Adhesive - refer to manufacturer's instructions
9	Cladding Panel
10	Ventilation Profile *
11	Parapet detail to project requirement (by Others)

*Please refer to APS Downer Rainscreen Framing brochure

Dimensions	
a	Insulation thickness (varies)
b	Ventilation - Please refer to panel manufacturer / local regulations recommendations
c	Panel nominal thickness
d	Adhesive depth
e	Ventilation inlet / outlet gaps - please refer to panel manufacturer / local regulations recommendations
a+b+c	Wall cavity - Please refer to DCS031 cavity range for suitable helping hand bracket

Rev.	/ /	
------	-----	--

Architectural
PANEL SOLUTIONS

ARCHITECTURAL PANEL SOLUTIONS LIMITED
Unit 5, Wainwright Close, Churchfields Industrial Estate,
St Leonards-on-Sea, TN38 0LP
T: 01424 852641 F: 01424 852797
claddings@architecturalpanelsolutions.com
www.architecturalpanelsolutions.com

Drawing Title:

**DCS031 - ADHESIVE FIX - TYPICAL DETAILS
PARAPET DETAIL**

Drawing Ref:

DCS031-A03

Scale:

NTS
@ A4

System:

DCS031

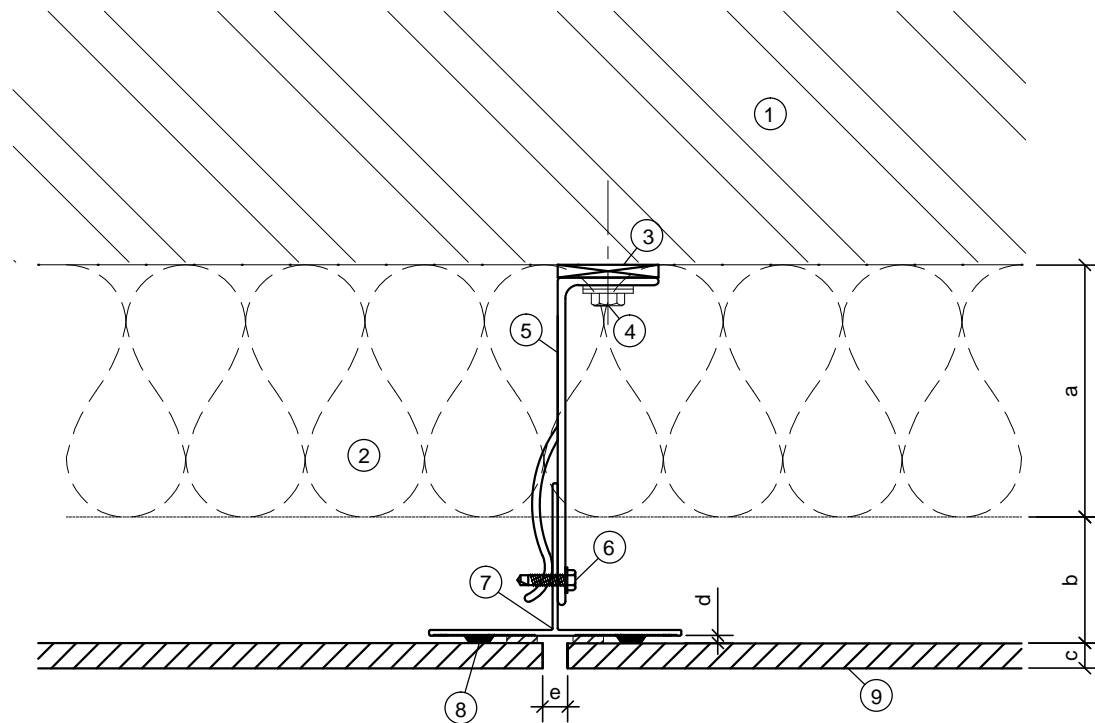
Date:

March-21

Drawn: IS

Architectural Panel Solutions Ltd. reserve the right to amend details at any time without prior notice. Reproduction or disclosure to third parties is strictly prohibited and can only be attained through signed, written consent from APS Ltd.

These drawings are indicative only, for use as a guide. The customer is always responsible for any specific design, structural calculations and calculating exact sizes of rails, sizes & quantities of panels. Any project details and calculations supplied by Architectural Panel Solutions are provided in good faith and should always be checked and approved by the project engineer responsible. Architectural Panel Solutions will not accept any liability should the system be designed / installed incorrectly.



Items	
1	Substrate (By others)
2	Insulation (By Others)
3	DCS031 Isolator Pad
4	Primary fixing will vary subject to substrate composition *
5	DCS031 Helping Hand Bracket
6	FDS 4.8x19mm self-drilling screw
7	DCS031 T Rail *
8	Adhesive - refer to manufacturer's instructions
9	Cladding Panel

*Please refer to APS Downer Rainscreen Framing brochure

Dimensions	
a	Insulation thickness (varies)
b	Ventilation - Please refer to panel manufacturer / local regulations recommendations
c	Panel nominal thickness
d	Adhesive depth
e	Panel Joint - Please refer to panel manufacturer.
a+b	Wall cavity - Please refer to DCS031 cavity range for suitable helping hand bracket

Rev.	/ /		
------	-----	--	--



ARCHITECTURAL PANEL SOLUTIONS LIMITED
 Unit 5, Wainwright Close, Churchfields Industrial Estate,
 St Leonards-on-Sea, TN38 0LP
 T: 01424 852641 F: 01424 852797
 claddings@architecturalpanelsolutions.com
 www.architecturalpanelsolutions.com

Drawing Title:

**DCS031 - ADHESIVE FIX - TYPICAL DETAILS
 VERTICAL PANEL JOINT DETAIL**

Drawing Ref:

DCS031-A04

Scale:

NTS
 @ A4

System:

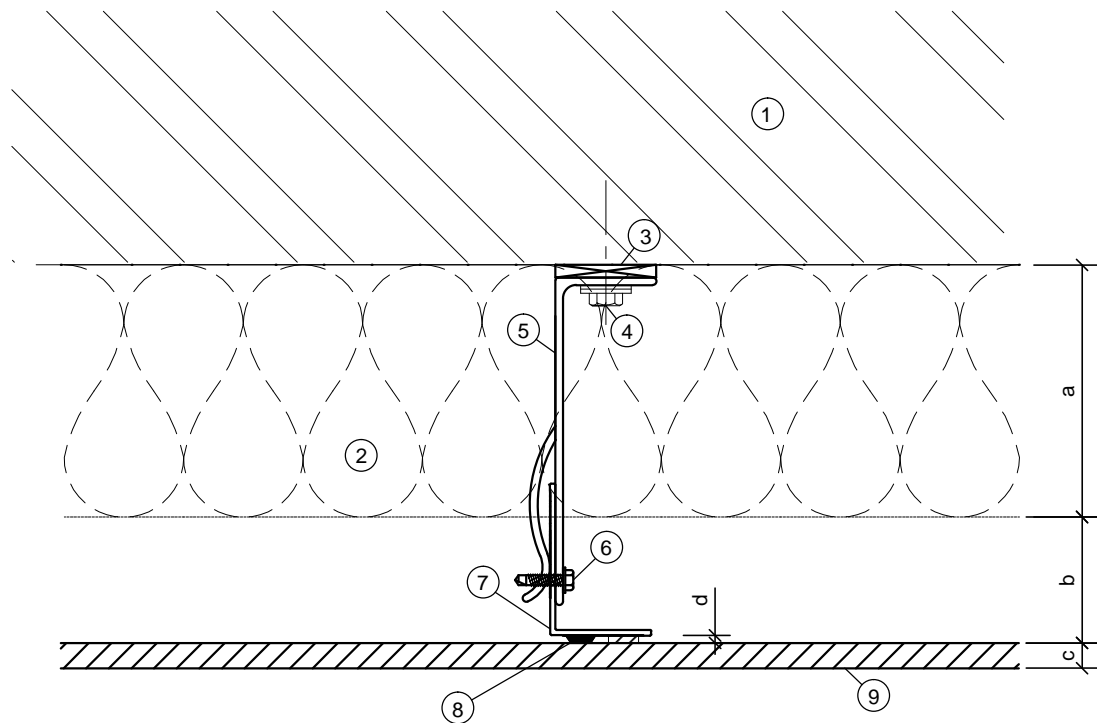
DCS031

Date:

March-21

Drawn: IS

These drawings are indicative only, for use as a guide. The customer is always responsible for any specific design, structural calculations and calculating exact sizes of rails, sizes & quantities of panels. Any project details and calculations supplied by Architectural Panel Solutions are provided in good faith and should always be checked and approved by the project engineer responsible. Architectural Panel Solutions will not accept any liability should the system be designed / installed incorrectly.



Items	
1	Substrate (By others)
2	Insulation (By Others)
3	DCS031 Isolator Pad
4	Primary fixing will vary subject to substrate composition *
5	DCS031 Helping Hand Bracket
6	FDS 4.8x19mm self-drilling screw
7	DCS031 60x40mm L Rail
8	Adhesive - refer to manufacturer's instructions
9	Cladding Panel

*Please refer to APS Downer Rainscreen Framing brochure

Dimensions	
a	Insulation thickness (varies)
b	Ventilation - Please refer to panel manufacturer / local regulations recommendations
c	Panel nominal thickness
d	Adhesive depth
a+b	Wall cavity - Please refer to DCS031 cavity range for suitable helping hand bracket

Architectural
PANEL SOLUTIONS

ARCHITECTURAL PANEL SOLUTIONS LIMITED
Unit 5, Wainwright Close, Churchfields Industrial Estate,
St Leonards-on-Sea, TN38 0LP
T: 01424 852641 F: 01424 852797
claddings@architecturalpanelsolutions.com
www.architecturalpanelsolutions.com

Drawing Title:

DCS031 - ADHESIVE FIX - TYPICAL DETAILS
INTERMEDIATE SUPPORT DETAIL

Drawing Ref:

DCS031-A05

Scale: NTS
@ A4

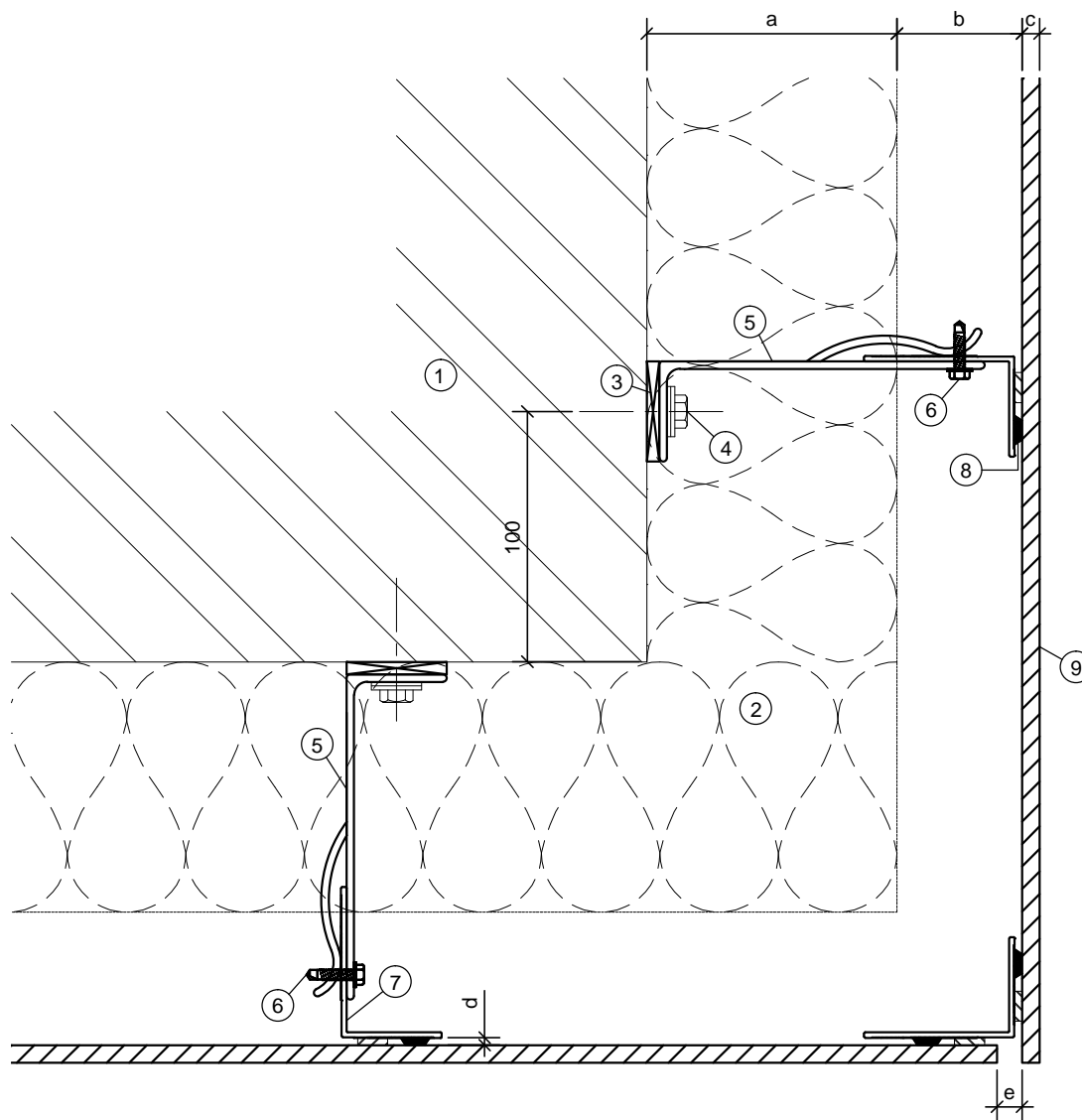
System: DCS031

Date: March-21

Drawn: IS

Rev.	/ /		
------	-----	--	--

These drawings are indicative only, for use as a guide. The customer is always responsible for any specific design, structural calculations and calculating exact sizes of rails, sizes & quantities of panels. Any project details and calculations supplied by Architectural Panel Solutions are provided in good faith and should always be checked and approved by the project engineer responsible. Architectural Panel Solutions will not accept any liability should the system be designed / installed incorrectly.



Items	
1	Substrate (By others)
2	Insulation (By Others)
3	DCS031 Isolator Pad
4	Primary fixing will vary subject to substrate composition *
5	DCS031 Helping Hand Bracket
6	FDS 4.8x19mm self-drilling screw
7	DCS031 60x40mm L Rail
8	Adhesive - refer to manufacturer's instructions
9	Cladding Panel

*Please refer to APS Downer Rainscreen Framing brochure

Dimensions	
a	Insulation thickness (varies)
b	Ventilation - Please refer to panel manufacturer / local regulations recommendations
c	Panel nominal thickness
d	Adhesive depth
e	Panel Joint - Please refer to panel manufacturer.
a+b	Wall cavity - Please refer to DCS031 cavity range for suitable helping hand bracket

Rev.	/ /	
------	-----	--

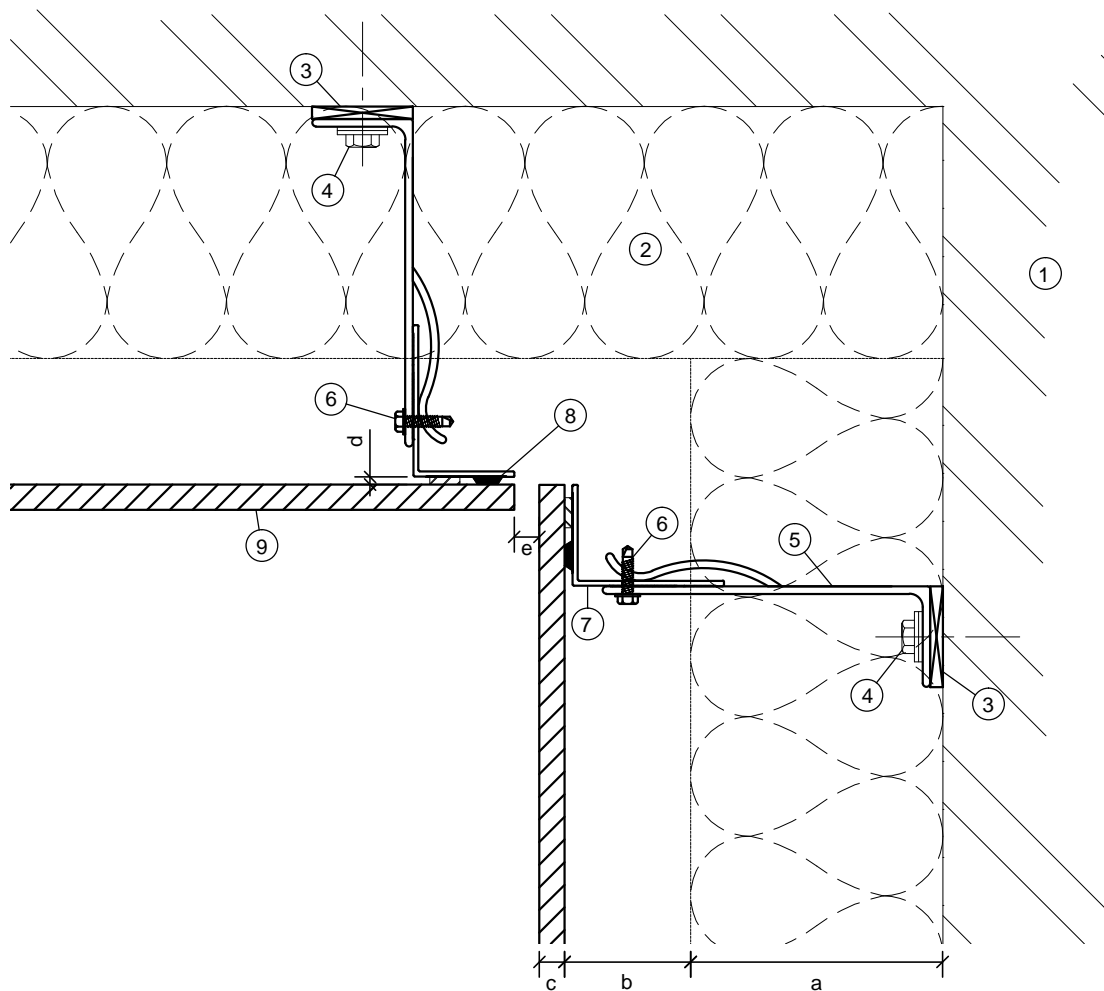
Architectural
PANEL SOLUTIONS

ARCHITECTURAL PANEL SOLUTIONS LIMITED
Unit 5, Wainwright Close, Churchfields Industrial Estate,
St Leonards-on-Sea, TN38 0LP
T: 01424 852641 F: 01424 852797
claddings@architecturalpanelsolutions.com
www.architecturalpanelsolutions.com

Drawing Title:	DCS031 - ADHESIVE FIX - TYPICAL DETAILS EXTERNAL CORNER DETAIL								
Drawing Ref:	DCS031-A06	Scale:	NTS @ A4	System:	DCS031	Date:	March-21	Drawn:	IS

Architectural Panel Solutions Ltd. reserve the right to amend details at any time without prior notice. Reproduction or disclosure to third parties is strictly prohibited and can only be attained through signed, written consent from APS Ltd.

These drawings are indicative only, for use as a guide. The customer is always responsible for any specific design, structural calculations and calculating exact sizes of rails, sizes & quantities of panels. Any project details and calculations supplied by Architectural Panel Solutions are provided in good faith and should always be checked and approved by the project engineer responsible. Architectural Panel Solutions will not accept any liability should the system be designed / installed incorrectly.



Items	
1	Substrate (By others)
2	Insulation (By Others)
3	DCS031 Isolator Pad
4	Primary fixing will vary subject to substrate composition *
5	DCS031 Helping Hand Bracket
6	FDS 4.8x19mm self-drilling screw
7	DCS031 60x40mm L Rail
8	Adhesive - refer to manufacturer's instructions
9	Cladding Panel

*Please refer to APS Downer Rainscreen Framing brochure

Dimensions	
a	Insulation thickness (varies)
b	Ventilation - Please refer to panel manufacturer / local regulations recommendations
c	Panel nominal thickness
d	Adhesive depth
e	Panel Joint - Please refer to panel manufacturer.
a+b	Wall cavity - Please refer to DCS031 cavity range for suitable helping hand bracket

Rev.	/ /	
------	-----	--

Architectural
PANEL SOLUTIONS

ARCHITECTURAL PANEL SOLUTIONS LIMITED
Unit 5, Wainwright Close, Churchfields Industrial Estate,
St Leonards-on-Sea, TN38 0LP
T: 01424 852641 F: 01424 852797
claddings@architecturalpanelsolutions.com
www.architecturalpanelsolutions.com

Drawing Title:

**DCS031 - ADHESIVE FIX - TYPICAL DETAILS
INTERNAL CORNER DETAIL**

Drawing Ref:

DCS031-A07

Scale:

NTS
@ A4

System:

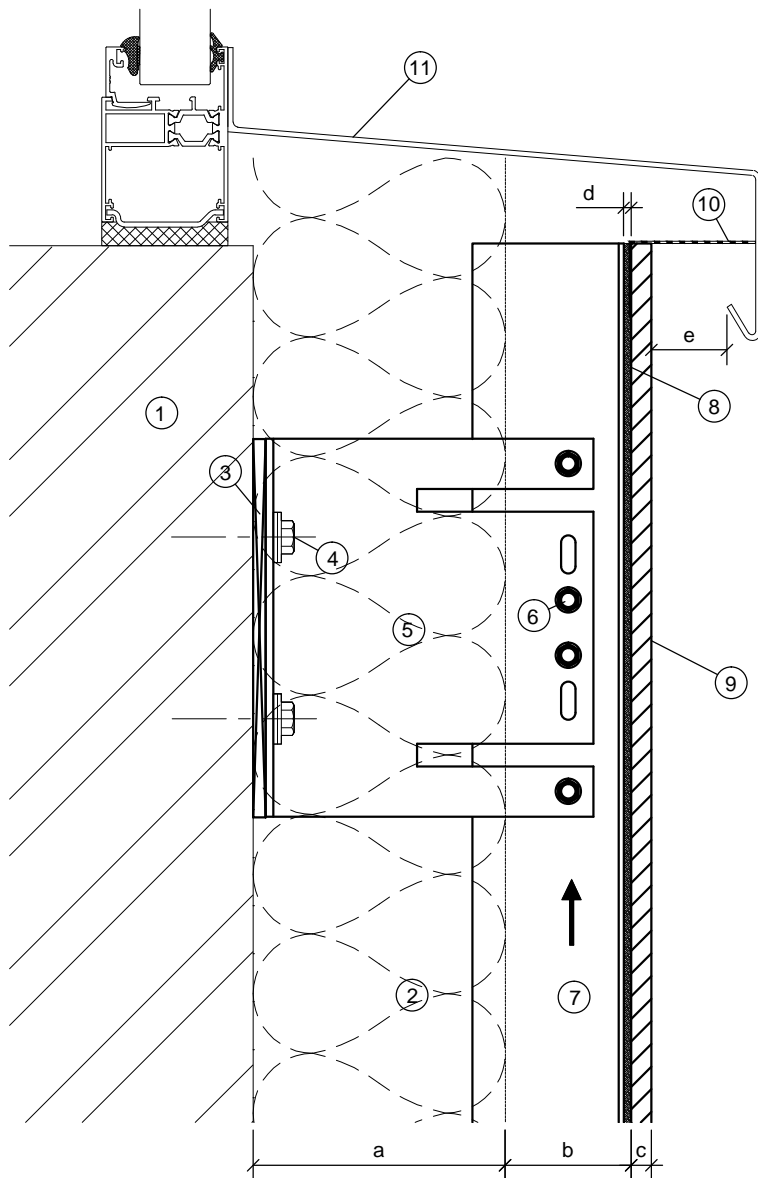
DCS031

Date:

March-21

Drawn: IS

These drawings are indicative only, for use as a guide. The customer is always responsible for any specific design, structural calculations and calculating exact sizes of rails, sizes & quantities of panels. Any project details and calculations supplied by Architectural Panel Solutions are provided in good faith and should always be checked and approved by the project engineer responsible. Architectural Panel Solutions will not accept any liability should the system be designed / installed incorrectly.



Items	
1	Substrate (By others)
2	Insulation (By Others)
3	DCS031 Isolator Pad
4	Primary fixing will vary subject to substrate composition *
5	DCS031 Double Helping Hand Bracket
6	FDS 4.8x19mm self-drilling screw
7	DCS031 Vertical Carrier Rail
8	Adhesive - refer to manufacturer's instructions
9	Cladding Panel
10	Ventilation Profile *
11	Window cill detail to project requirement (by Others)

*Please refer to APS Downer Rainscreen Framing brochure

Dimensions	
a	Insulation thickness (varies)
b	Ventilation - Please refer to panel manufacturer / local regulations recommendations
c	Panel nominal thickness
d	Adhesive depth
e	Ventilation inlet / outlet gaps - please refer to panel manufacturer / local regulations recommendations
a+b	Wall cavity - Please refer to DCS031 Cavity range for suitable helping hand bracket

Rev.	/ /	
------	-----	--

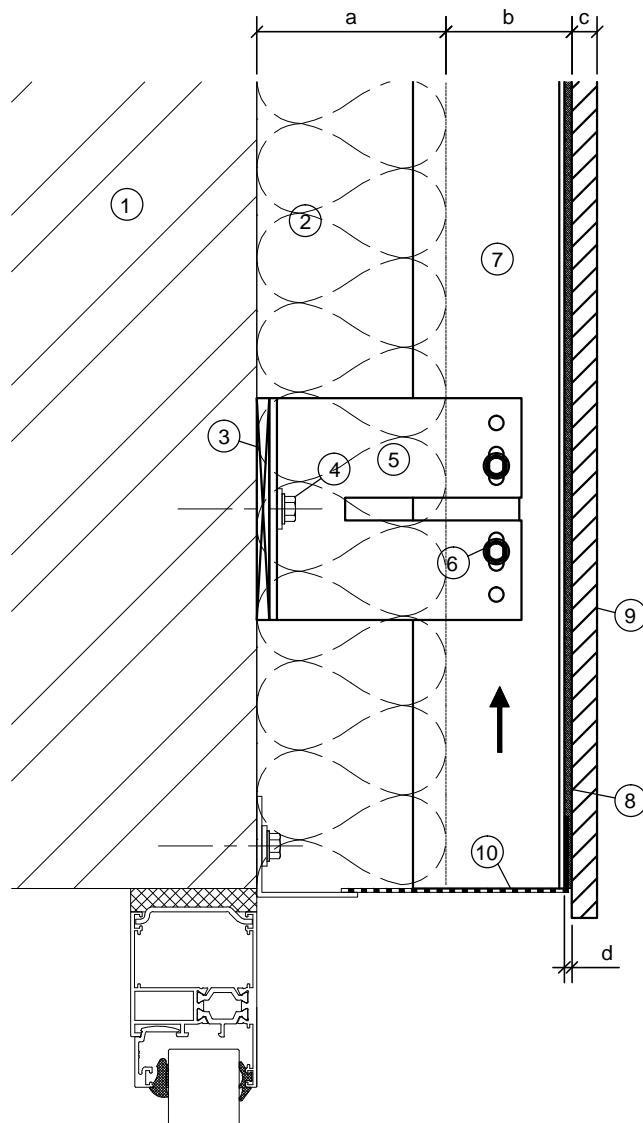


ARCHITECTURAL PANEL SOLUTIONS LIMITED
 Unit 5, Wainwright Close, Churchfields Industrial Estate,
 St Leonards-on-Sea, TN38 0LP
 T: 01424 852641 F: 01424 852797
 claddings@architecturalpanelsolutions.com
 www.architecturalpanelsolutions.com

Drawing Title:	DCS031 - ADHESIVE FIX - TYPICAL DETAILS WINDOW CILL DETAIL								
Drawing Ref:	DCS031-A08	Scale:	NTS @ A4	System:	DCS031	Date:	March-21	Drawn:	IS

Architectural Panel Solutions Ltd. reserve the right to amend details at any time without prior notice. Reproduction or disclosure to third parties is strictly prohibited and can only be attained through signed, written consent from APS Ltd.

These drawings are indicative only, for use as a guide. The customer is always responsible for any specific design, structural calculations and calculating exact sizes of rails, sizes & quantities of panels. Any project details and calculations supplied by Architectural Panel Solutions are provided in good faith and should always be checked and approved by the project engineer responsible. Architectural Panel Solutions will not accept any liability should the system be designed / installed incorrectly.



Items	
1	Substrate (By others)
2	Insulation (By Others)
3	DCS031 Isolator Pad
4	Primary fixing will vary subject to substrate composition *
5	DCS031 Helping Hand Bracket
6	FDS 4.8x19mm self-drilling screw
7	DCS031 Vertical Carrier Rail
8	Adhesive - refer to manufacturer's instructions
9	Cladding Panel
10	Ventilation Profile *

*Please refer to APS Downer Rainscreen Framing brochure

Dimensions	
a	Insulation thickness (varies)
b	Ventilation - Please refer to panel manufacturer / local regulations recommendations
c	Panel nominal thickness
d	Adhesive depth
a+b	Wall cavity - Please refer to DCS031 cavity range for suitable helping hand bracket

Rev.	/ /	
------	-----	--

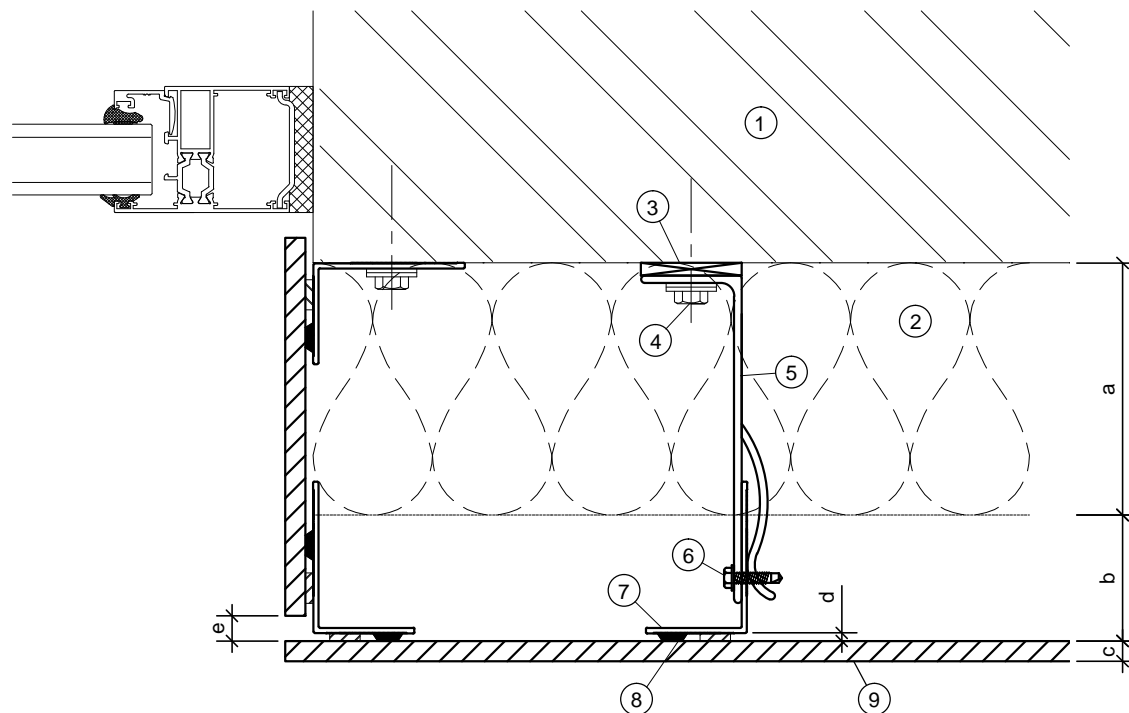


ARCHITECTURAL PANEL SOLUTIONS LIMITED
 Unit 5, Wainwright Close, Churchfields Industrial Estate,
 St Leonards-on-Sea, TN38 0LP
 T: 01424 852641 F: 01424 852797
 claddings@architecturalpanelsolutions.com
 www.architecturalpanelsolutions.com

Drawing Title:	DCS031 - ADHESIVE FIX - TYPICAL DETAILS WINDOW HEAD DETAIL								
Drawing Ref:	DCS031-A09	Scale:	NTS @ A4	System:	DCS031	Date:	March-21	Drawn:	IS

Architectural Panel Solutions Ltd. reserve the right to amend details at any time without prior notice. Reproduction or disclosure to third parties is strictly prohibited and can only be attained through signed, written consent from APS Ltd.

These drawings are indicative only, for use as a guide. The customer is always responsible for any specific design, structural calculations and calculating exact sizes of rails, sizes & quantities of panels. Any project details and calculations supplied by Architectural Panel Solutions are provided in good faith and should always be checked and approved by the project engineer responsible. Architectural Panel Solutions will not accept any liability should the system be designed / installed incorrectly.



Items	
1	Substrate (By others)
2	Insulation (By Others)
3	DCS031 Isolator Pad
4	Primary fixing will vary subject to substrate composition *
5	DCS031 Helping Hand Bracket
6	FDS 4.8x19mm self-drilling screw
7	DCS031 Vertical Carrier Rail
8	Adhesive - refer to manufacturer's instructions
9	Cladding Panel

*Please refer to APS Downer Rainscreen Framing brochure

Dimensions	
a	Insulation thickness (varies)
b	Ventilation - Please refer to panel manufacturer / local regulations recommendations
c	Panel nominal thickness
d	Adhesive depth
e	Panel Joint - Please refer to panel manufacturer.
a+b	Wall cavity - Please refer to DCS031 cavity range for suitable helping hand bracket

Rev.	/ /		
------	-----	--	--



ARCHITECTURAL PANEL SOLUTIONS LIMITED
 Unit 5, Wainwright Close, Churchfields Industrial Estate,
 St Leonards-on-Sea, TN38 0LP
 T: 01424 852641 F: 01424 852797
 claddings@architecturalpanelsolutions.com
 www.architecturalpanelsolutions.com

Drawing Title:	DCS031 - ADHESIVE FIX - TYPICAL DETAILS WINDOW REVEAL DETAIL								
Drawing Ref:	DCS031-A10	Scale:	NTS @ A4	System:	DCS031	Date:	March-21	Drawn:	IS

Architectural Panel Solutions Ltd. reserve the right to amend details at any time without prior notice. Reproduction or disclosure to third parties is strictly prohibited and can only be attained through signed, written consent from APS Ltd.