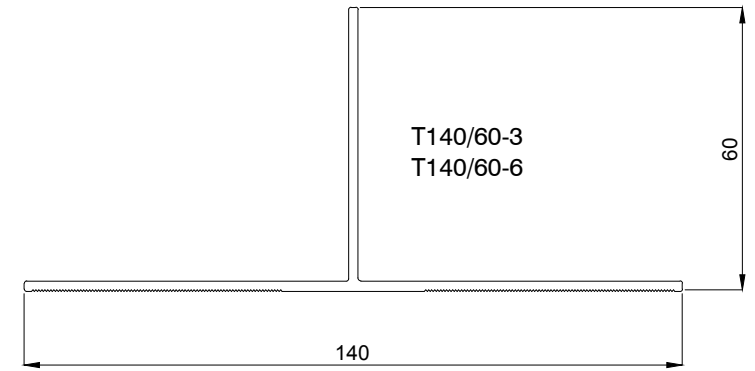
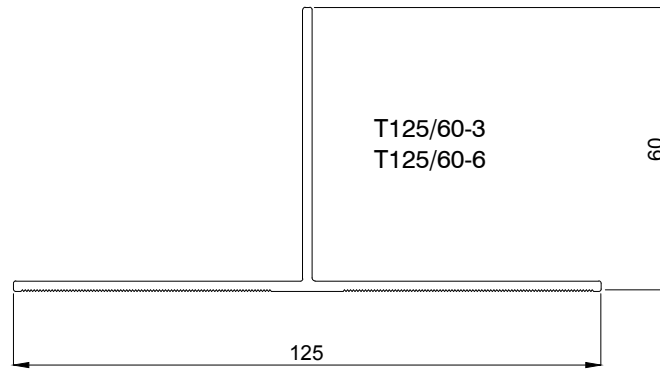
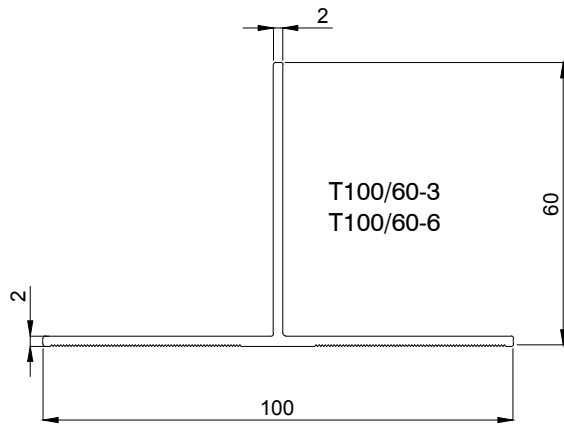
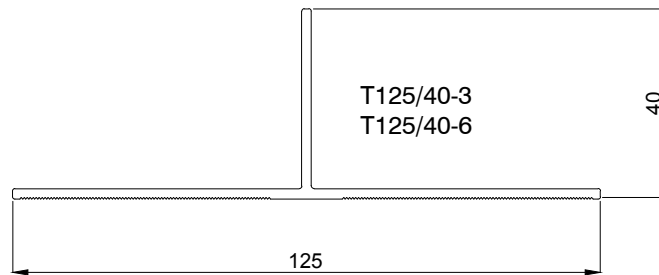
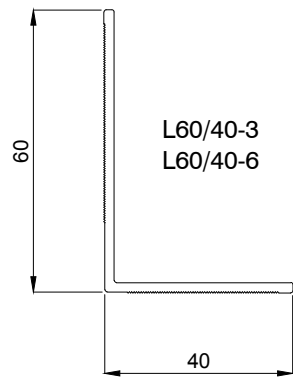


These drawings are indicative only, for use as a guide. The customer is always responsible for any specific design, structural calculations and calculating exact sizes of rails, sizes & quantities of panels. Any project details and calculations supplied by Architectural Panel Solutions are provided in good faith and should always be checked and approved by the project engineer responsible. Architectural Panel Solutions will not accept any liability should the system be designed / installed incorrectly.



SPECIAL ORDER



SMALL FRAMING ZONES - 49mm: 90mm

DCS031 CARRIER RAILS - EXTRUDED ALLOY GRADE: 6063T6		
REF	DESCRIPTION	LENGTH
T100/60-3	'T' Carrier Rail	3000
T100/60-6	'T' Carrier Rail	6000
T125/60-3	'T' Carrier Rail	3000
T125/60-6	'T' Carrier Rail	6000
T125/40-3	'T' Carrier Rail	3000
T125/40-6	'T' Carrier Rail	6000
T140/60-3	'T' Carrier Rail	3000
T140/60-6	'T' Carrier Rail	6000
L60/40-3	'L' Carrier Rail	3000
L60/40-6	'L' Carrier Rail	6000

Rev.	/ /		
------	-----	--	--

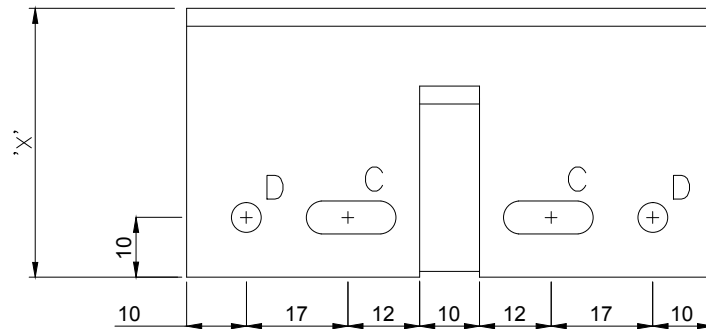
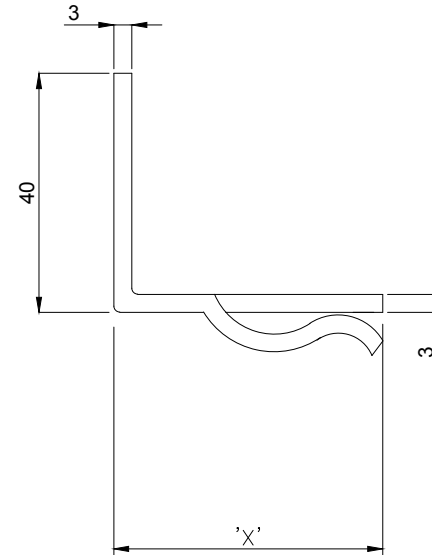
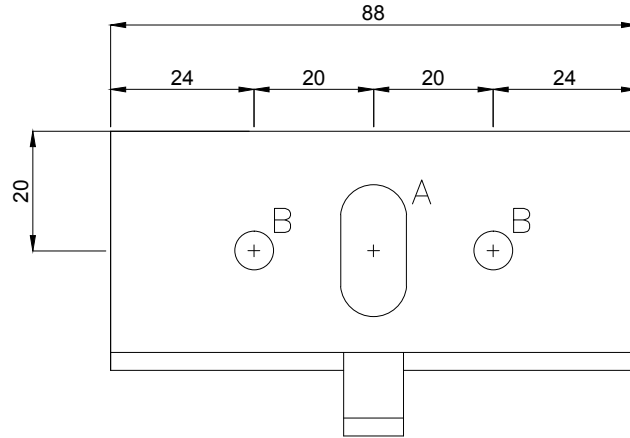


ARCHITECTURAL PANEL SOLUTIONS LIMITED
 Unit 5, Wainwright Close, Churchfields Industrial Estate,
 St Leonards-on-Sea, TN38 0LP
 T: 01424 852641 F: 01424 852797
 claddings@architecturalpanelsolutions.com
 www.architecturalpanelsolutions.com

Drawing Title:	DCS031 - DOWNER HELPING HAND ® Brackets - Carrier Rails - Types & Sizes								
Drawing Ref:	DCS031-01	Scale:	NTS @ A4	System:	DCS031	Date:	March-21	Drawn:	J.B

Architectural Panel Solutions Ltd. reserve the right to amend details at any time without prior notice. Reproduction or disclosure to third parties is strictly prohibited and can only be attained through signed, written consent from APS Ltd.

These drawings are indicative only, for use as a guide. The customer is always responsible for any specific design, structural calculations and calculating exact sizes of rails, sizes & quantities of panels. Any project details and calculations supplied by Architectural Panel Solutions are provided in good faith and should always be checked and approved by the project engineer responsible. Architectural Panel Solutions will not accept any liability should the system be designed / installed incorrectly.



**SINGLE BRACKET TYPE - EXTRUDED ALLOY GRADE:
6063T6**

REF	DIM 'X'	
HH-Single40	40	A = 1No. 22mm x 11mm Slots B = 2No. 6.5mmØ Holes C = 2No. 5.5mm x 15mm Slots D = 2No. 5.1mmØ Holes
HH-Single45	45	
HH-Single50	50	
HH-Single60	60	



ARCHITECTURAL PANEL SOLUTIONS LIMITED
 Unit 5, Wainwright Close, Churchfields Industrial Estate,
 St Leonards-on-Sea, TN38 0LP
 T: 01424 852641 F: 01424 852797
 claddings@architecturalpanelsolutions.com
 www.architecturalpanelsolutions.com

Drawing Title:

DCS031 - DOWNER HELPING HAND ® Brackets -
 Single Bracket Types / Sizes - 40, 45, 50 & 60mm

Drawing Ref:

DCS031-02

Scale: NTS
 @ A4

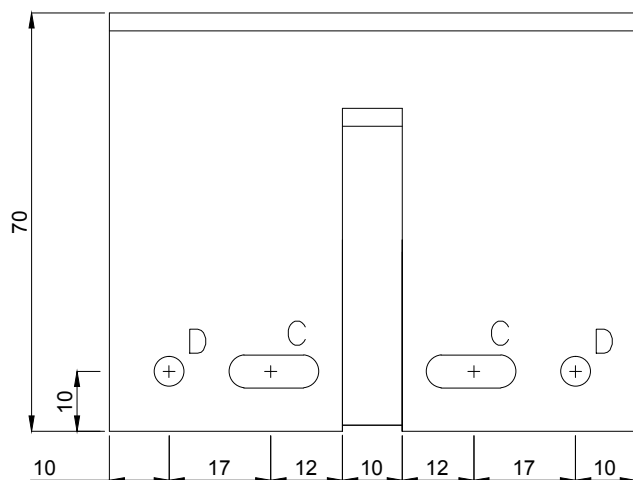
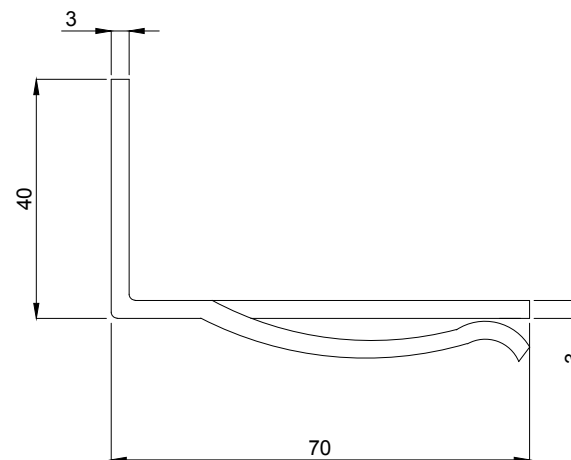
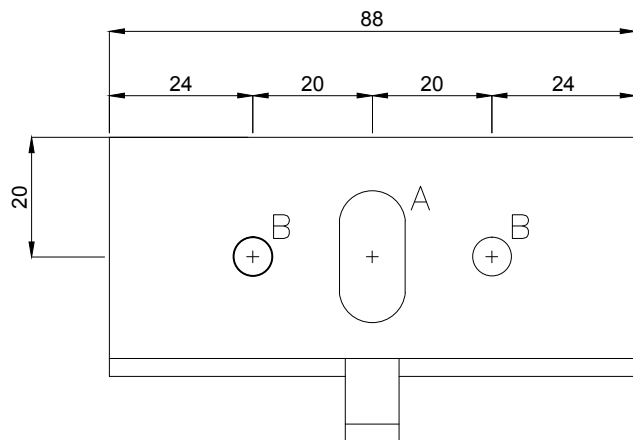
System: DCS031

Date: March-21

Drawn: J.B

Rev.	/ /	
------	-----	--

These drawings are indicative only, for use as a guide. The customer is always responsible for any specific design, structural calculations and calculating exact sizes of rails, sizes & quantities of panels. Any project details and calculations supplied by Architectural Panel Solutions are provided in good faith and should always be checked and approved by the project engineer responsible. Architectural Panel Solutions will not accept any liability should the system be designed / installed incorrectly.



SINGLE BRACKET TYPE - EXTRUDED ALLOY GRADE: 6063T6		
REF	DIM 'X'	A = 1No. 22mm x 11mm Slots B = 2No. 6.5mmØ Holes C = 2No. 5.5mm x 15mm Slots D = 2No. 5.1mmØ Holes
HH-Single70	70	

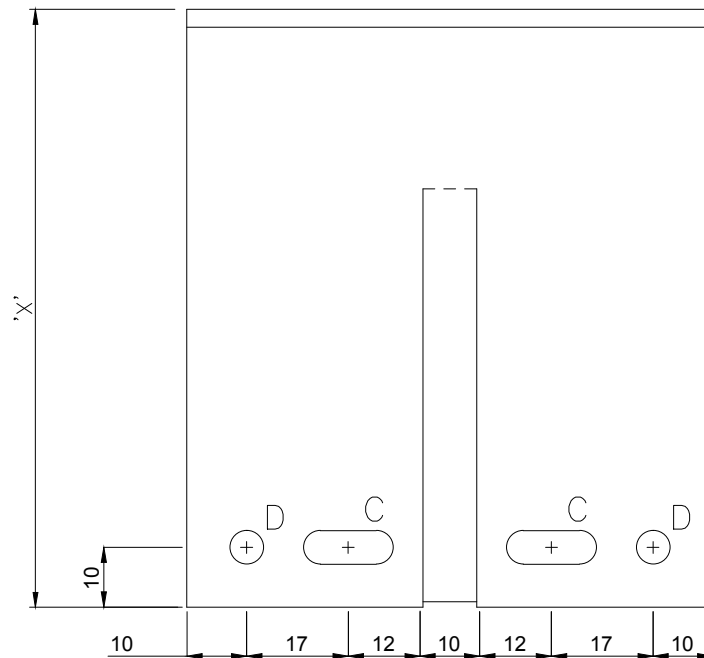
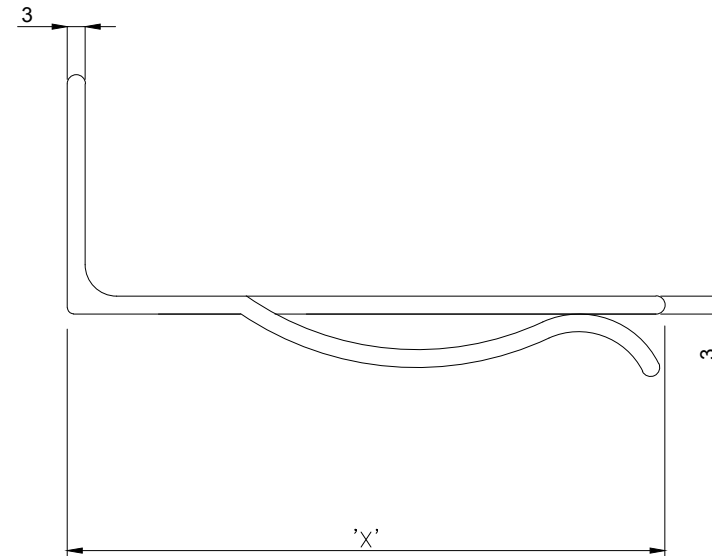
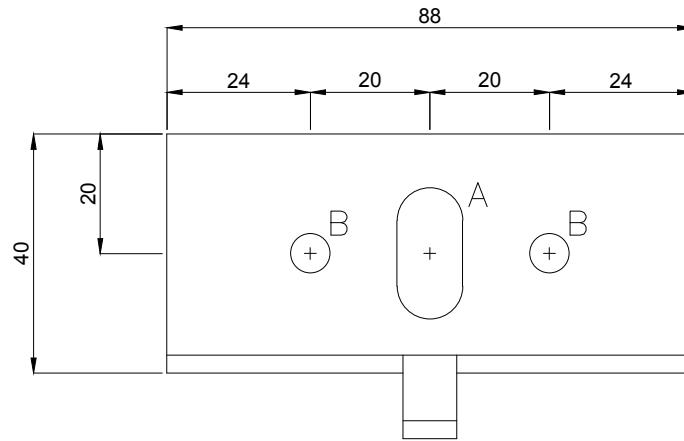
Rev.	/ /	
------	-----	--



ARCHITECTURAL PANEL SOLUTIONS LIMITED
 Unit 5, Wainwright Close, Churchfields Industrial Estate,
 St Leonards-on-Sea, TN38 0LP
 T: 01424 852641 F: 01424 852797
 claddings@architecturalpanelsolutions.com
 www.architecturalpanelsolutions.com

Drawing Title:	DCS031 - DOWNER HELPING HAND ® Brackets - Single Bracket Type / Size - 70mm								
Drawing Ref:	DCS031-03	Scale:	NTS @ A4	System:	DCS031	Date:	March-21	Drawn:	J.B

These drawings are indicative only, for use as a guide. The customer is always responsible for any specific design, structural calculations and calculating exact sizes of rails, sizes & quantities of panels. Any project details and calculations supplied by Architectural Panel Solutions are provided in good faith and should always be checked and approved by the project engineer responsible. Architectural Panel Solutions will not accept any liability should the system be designed / installed incorrectly.



**SINGLE BRACKET TYPE - EXTRUDED ALLOY GRADE:
6063T6**

REF	DIM 'X'	
HH-Single100	100	A = 1No. 22mm x 11mm Slots B = 2No. 6.5mmØ Holes C = 2No. 5.5mm x 15mm Slots D = 2No. 5.1mmØ Holes
HH-Single130	130	
HH-Single160	160	
HH-Single190	190	
HH-Single220	220	
HH-Single250	250	
HH-Single280	280	



ARCHITECTURAL PANEL SOLUTIONS LIMITED
 Unit 5, Wainwright Close, Churchfields Industrial Estate,
 St Leonards-on-Sea, TN38 0LP
 T: 01424 852641 F: 01424 852797
 claddings@architecturalpanelsolutions.com
 www.architecturalpanelsolutions.com

Drawing Title:

DCS031 - DOWNER HELPING HAND ® Brackets -
 Single Bracket Type / Size - 100 to 280mm

Drawing Ref:

DCS031-04

Scale: NTS
 @ A4

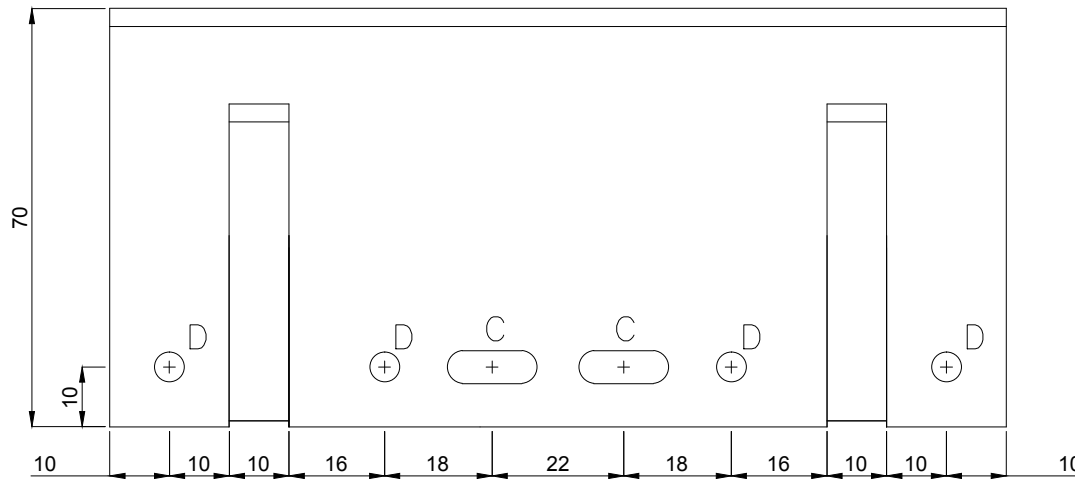
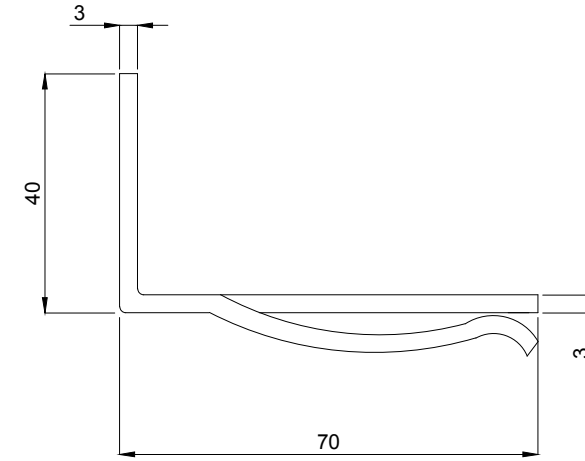
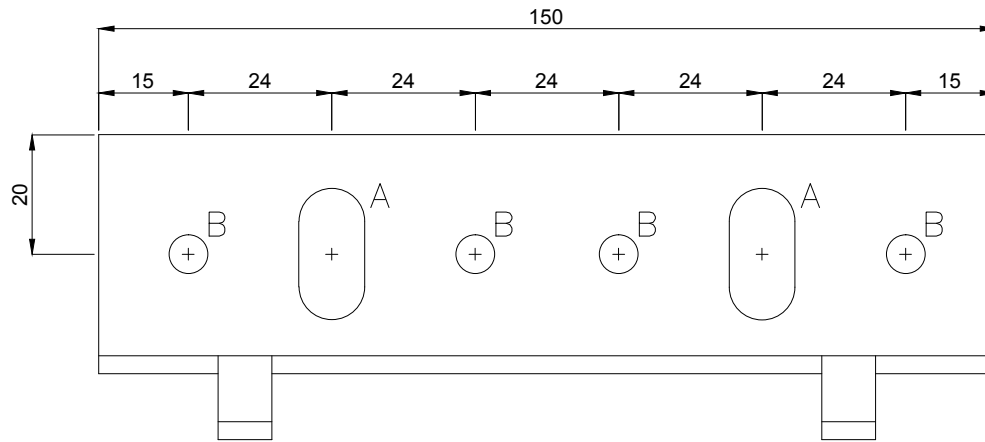
System: DCS031

Date: March-21

Drawn: J.B

Rev.	///		

These drawings are indicative only, for use as a guide. The customer is always responsible for any specific design, structural calculations and calculating exact sizes of rails, sizes & quantities of panels. Any project details and calculations supplied by Architectural Panel Solutions are provided in good faith and should always be checked and approved by the project engineer responsible. Architectural Panel Solutions will not accept any liability should the system be designed / installed incorrectly.



DOUBLE BRACKET TYPE - EXTRUDED ALLOY GRADE: 6063T6		
REF	DIM 'X'	A = 2No. 22mm x 11mm Slots B = 4No. 6.5mmØ Holes C = 2No. 5.5mm x 15mm Slots D = 4No. 5.1mmØ Holes
HH-Double70	70	



ARCHITECTURAL PANEL SOLUTIONS LIMITED
 Unit 5, Wainwright Close, Churchfields Industrial Estate,
 St Leonards-on-Sea, TN38 0LP
 T: 01424 852641 F: 01424 852797
 claddings@architecturalpanelsolutions.com
 www.architecturalpanelsolutions.com

Drawing Title:

DCS031 - DOWNER HELPING HAND ® Brackets -
 Double Bracket Type / Size - 70mm

Drawing Ref:

DCS031-05

Scale: NTS @ A4

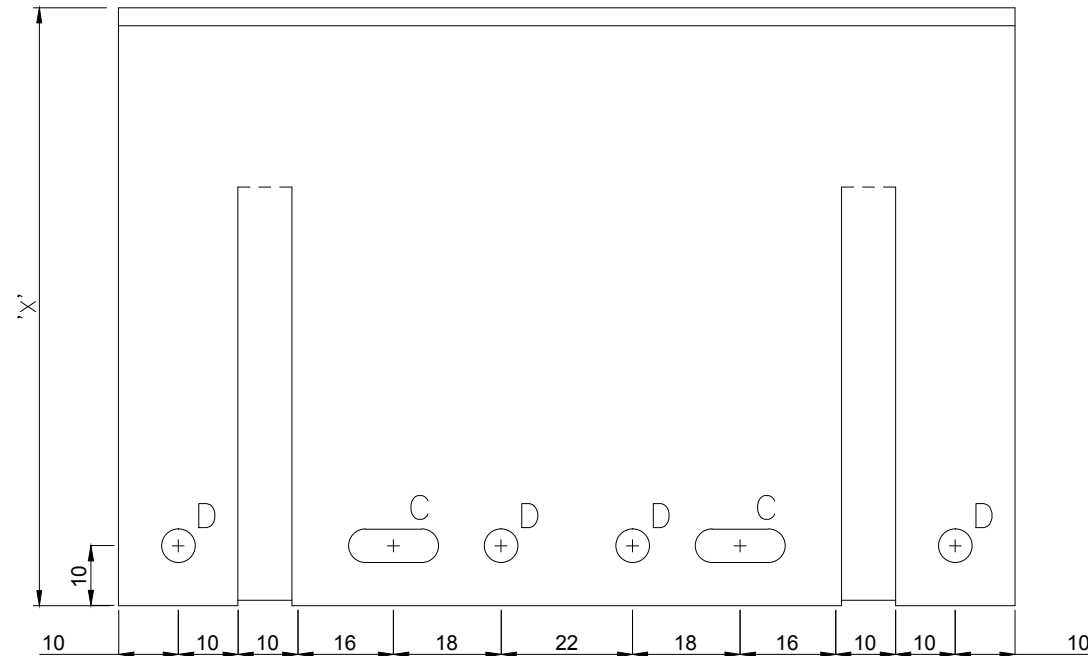
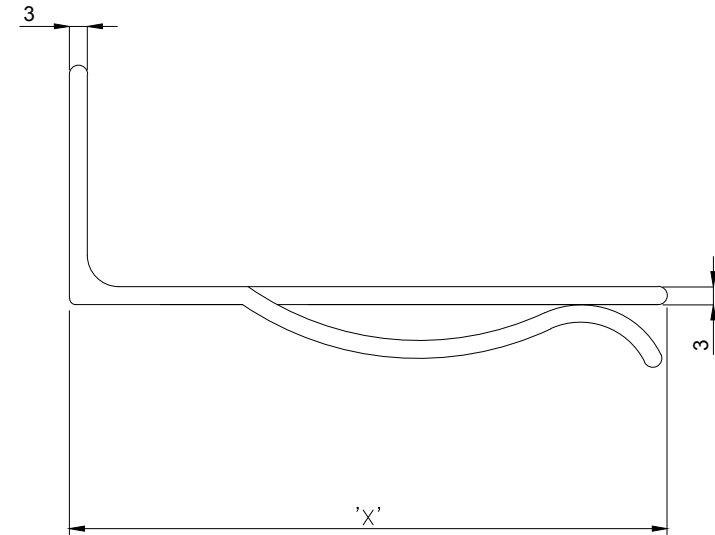
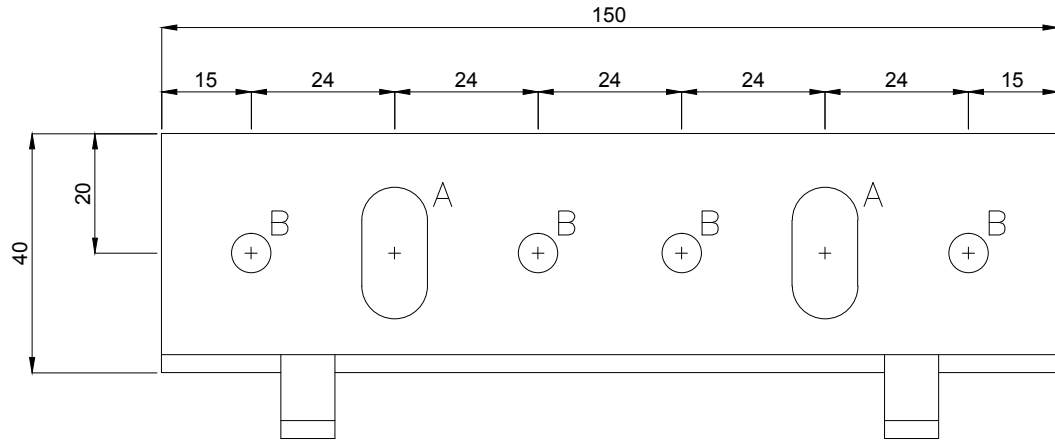
System: DCS031

Date: March-21

Drawn: J.B

Rev.	/ /	
------	-----	--

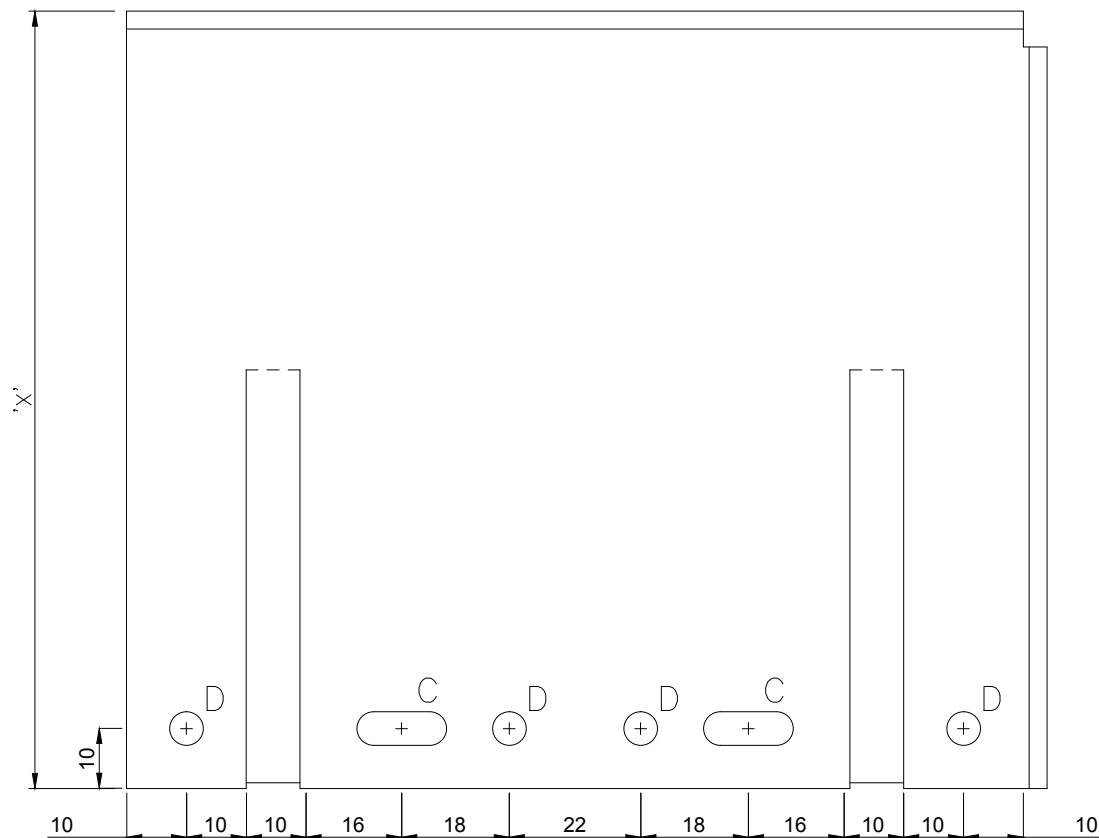
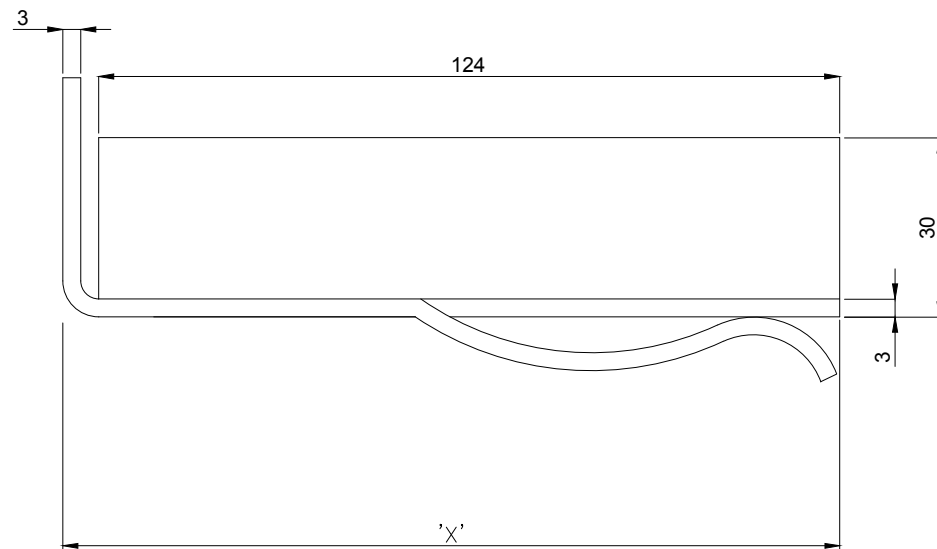
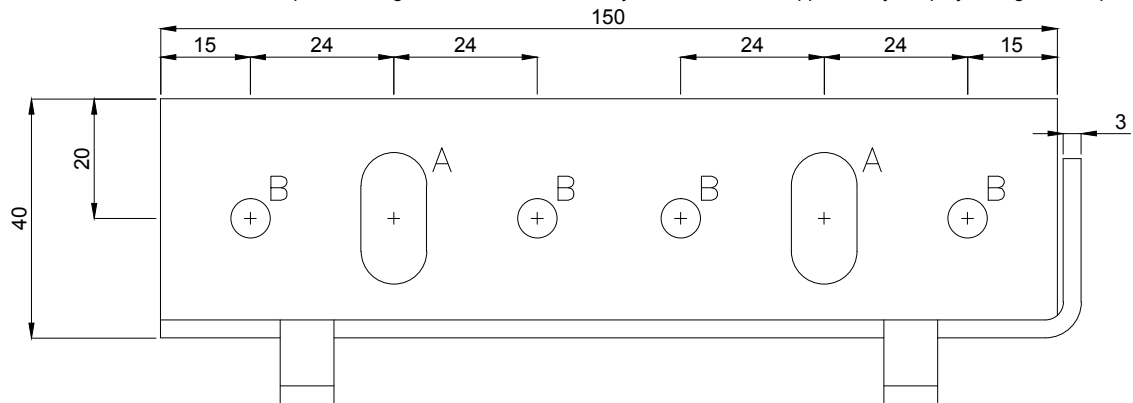
These drawings are indicative only, for use as a guide. The customer is always responsible for any specific design, structural calculations and calculating exact sizes of rails, sizes & quantities of panels. Any project details and calculations supplied by Architectural Panel Solutions are provided in good faith and should always be checked and approved by the project engineer responsible. Architectural Panel Solutions will not accept any liability should the system be designed / installed incorrectly.



**DOUBLE BRACKET TYPE - EXTRUDED ALLOY GRADE:
6063T6**

REF	DIM 'X'	
HH-Double100	100	A = 2No. 22mm x 11mm Slots B = 4No. 6.5mmØ Holes C = 2No. 5.5mm x 15mm Slots D = 4No. 5.1mmØ Holes
HH-Double130	130	
HH-Double160	160	
HH-Double190	190	
HH-Double220	220	
HH-Double250	250	
HH-Double280	280	

These drawings are indicative only, for use as a guide. The customer is always responsible for any specific design, structural calculations and calculating exact sizes of rails, sizes & quantities of panels. Any project details and calculations supplied by Architectural Panel Solutions are provided in good faith and should always be checked and approved by the project engineer responsible. Architectural Panel Solutions will not accept any liability should the system be designed / installed incorrectly.



DOUBLE BRACKET TYPE - FOLDED 3mm ALUMINIUM GRADE: 5251/H22 or Equal		
REF	DIM 'X'	
HH-Double310	310	A = 2No. 22mm x 11mm Slots B = 4No. 6.5mmØ Holes C = 2No. 5.5mm x 15mm Slots D = 4No. 5.1mmØ Holes
HH-Double340	340	
HH-Double370	370	
HH-Double400	400	

DOUBLES ONLY - SPECIAL ORDER

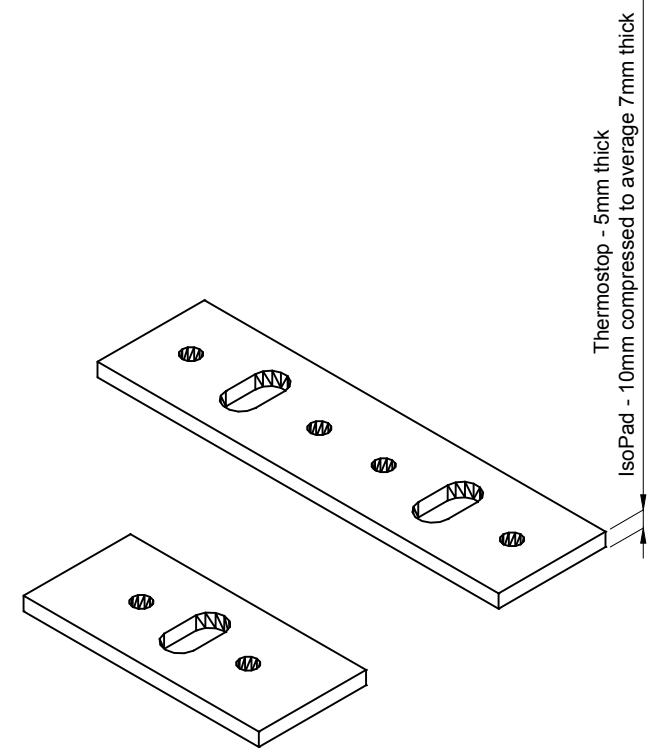
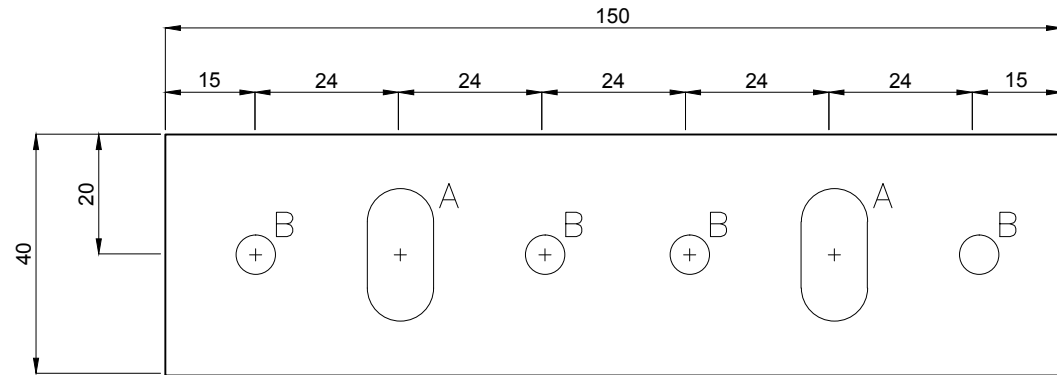
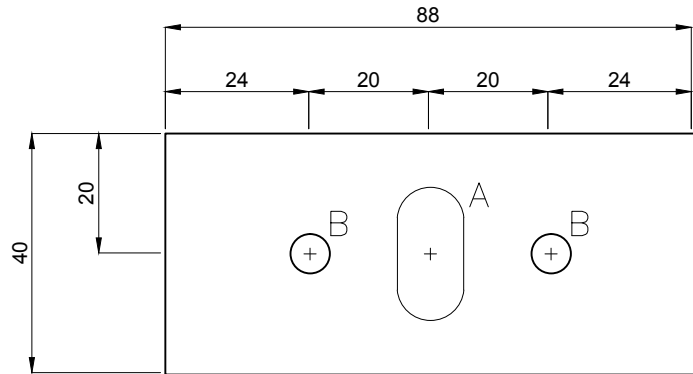
Rev.	/ /	
------	-----	--



ARCHITECTURAL PANEL SOLUTIONS LIMITED
 Unit 5, Wainwright Close, Churchfields Industrial Estate,
 St Leonards-on-Sea, TN38 0LP
 T: 01424 852641 F: 01424 852797
 claddings@architecturalpanelsolutions.com
 www.architecturalpanelsolutions.com

Drawing Title:	DCS031 - DOWNER HELPING HAND ® Brackets - Double Bracket Type / Size - 310F to 400Fmm Folded with 30mm return flange stiffener								
Drawing Ref:	DCS031-07	Scale:	NTS @ A4	System:	DCS031	Date:	March-21	Drawn:	J.B

These drawings are indicative only, for use as a guide. The customer is always responsible for any specific design, structural calculations and calculating exact sizes of rails, sizes & quantities of panels. Any project details and calculations supplied by Architectural Panel Solutions are provided in good faith and should always be checked and approved by the project engineer responsible. Architectural Panel Solutions will not accept any liability should the system be designed / installed incorrectly.



ISOLATOR PADS		
REF	DIM	A = 22mm x 11mm Slots B = 6.5mm Ø Holes
ISO/Single	88	
ISO/Double	150	
ISOPAD/Single	88	
ISOPAD/Double	150	

Rev.	/ /	
------	-----	--



ARCHITECTURAL PANEL SOLUTIONS LIMITED
 Unit 5, Wainwright Close, Churchfields Industrial Estate,
 St Leonards-on-Sea, TN38 0LP
 T: 01424 852641 F: 01424 852797
 claddings@architecturalpanelsolutions.com
 www.architecturalpanelsolutions.com

Drawing Title:

DCS031 - DOWNER HELPING HAND ® Brackets -
 ISOLATOR PADS TYPES

Drawing Ref:

DCS031-08

Scale:

NTS
 @ A4

System:

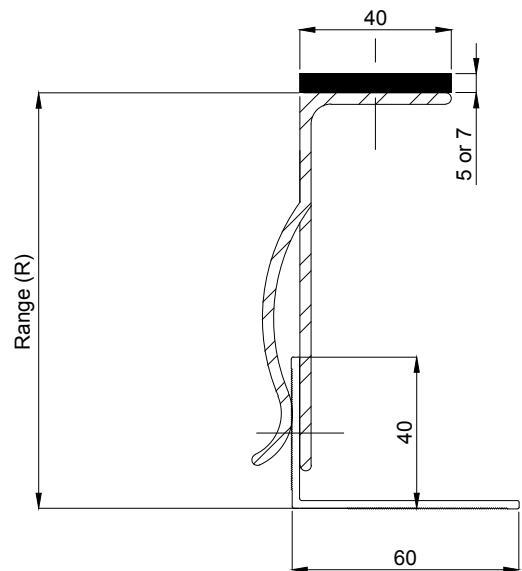
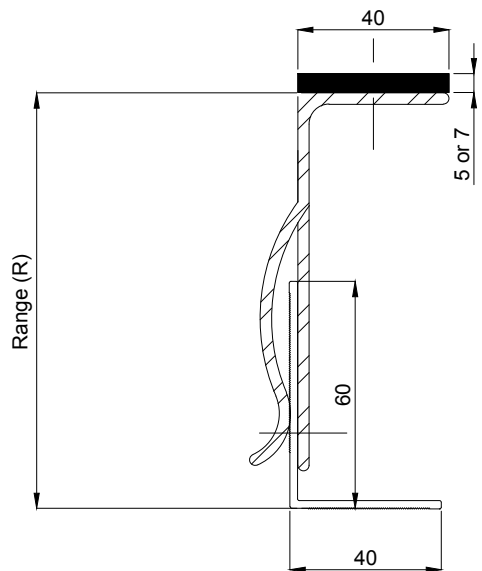
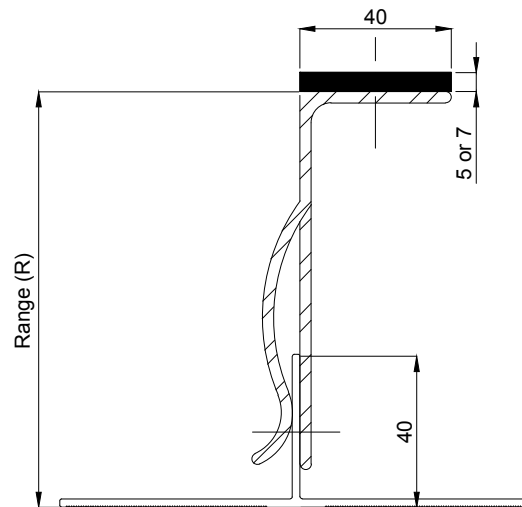
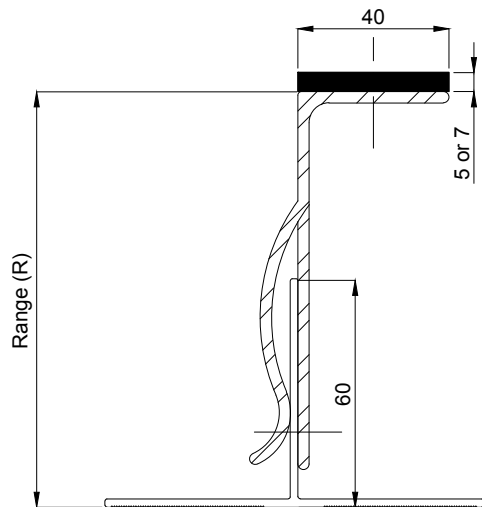
DCS031

Date:

March-21

Drawn: J.B

These drawings are indicative only, for use as a guide. The customer is always responsible for any specific design, structural calculations and calculating exact sizes of rails, sizes & quantities of panels. Any project details and calculations supplied by Architectural Panel Solutions are provided in good faith and should always be checked and approved by the project engineer responsible. Architectural Panel Solutions will not accept any liability should the system be designed / installed incorrectly.



Framing Zone - Range (R)

Bracket Ref. Single	Bracket Ref. Double	Range - 40mm Leg into Bracket		Range - 60mm Leg into Bracket	
HH-Single40	N/a	49mm	59mm	69mm	79mm
HH-Single45	N/a	54mm	64mm	74mm	84mm
HH-Single50	N/a	59mm	69mm	79mm	89mm
HH-Single60	N/a	69mm	79mm	89mm	99mm
HH-Single70	HH-Double70	72mm	90mm	84mm	109mm
HH-Single100	HH-Double100	-	-	102mm	142mm
HH-Single130	HH-Double130	-	-	132mm	172mm
HH-Single160	HH-Double160	-	-	162mm	202mm
HH-Single190	HH-Double190	-	-	192mm	232mm
HH-Single220	HH-Double220	-	-	222mm	262mm
HH-Single250	HH-Double250	-	-	252mm	292mm
HH-Single280	HH-Double280	-	-	282mm	322mm
-	HH-Double310	-	-	312mm	352mm
-	HH-Double340	-	-	342mm	382mm
-	HH-Double370	-	-	372mm	412mm
-	HH-Double400	-	-	402mm	442mm

Add 5mm to include - Thermostop pad
Add 7mm to include - IsoPad

Rev.	/ /	
------	-----	--



ARCHITECTURAL PANEL SOLUTIONS LIMITED
Unit 5, Wainwright Close, Churchfields Industrial Estate,
St Leonards-on-Sea, TN38 0LP
T: 01424 852641 F: 01424 852797
claddings@architecturalpanelsolutions.com
www.architecturalpanelsolutions.com

Drawing Title:

**DCS031 - DOWNER HELPING HAND ® Brackets -
CAVITY RANGE**

Drawing Ref:

DCS031-09

Scale:

NTS
@ A4

System:

DCS031

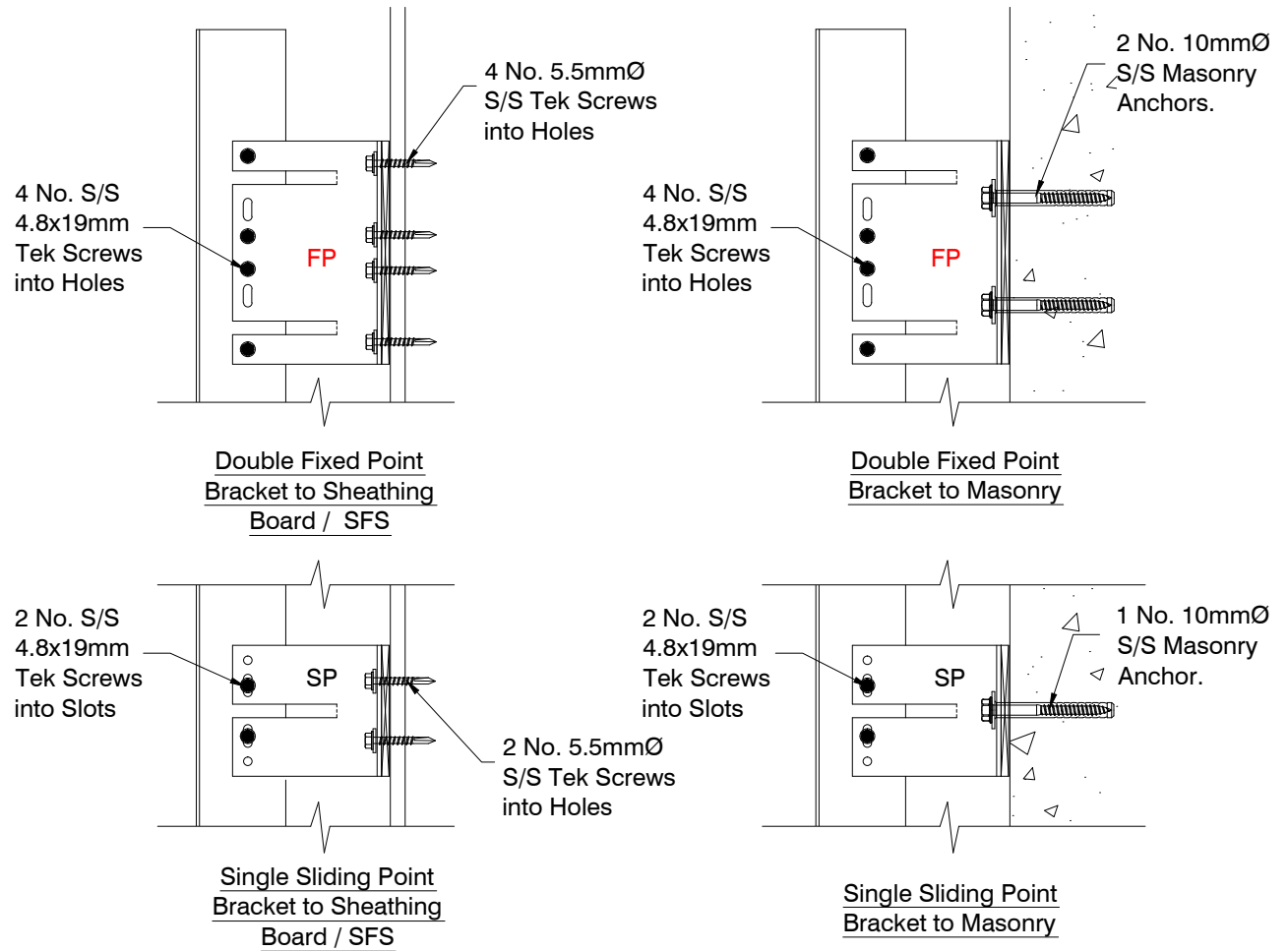
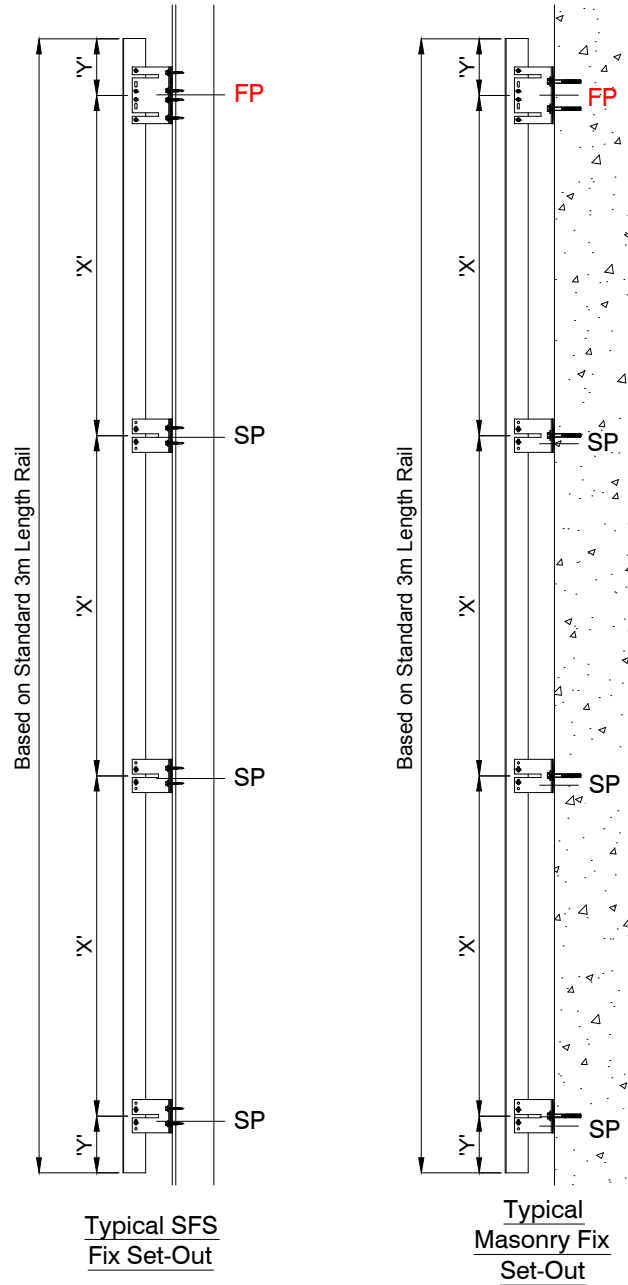
Date:

March-21

Drawn:

J.B

These drawings are indicative only, for use as a guide. The customer is always responsible for any specific design, structural calculations and calculating exact sizes of rails, sizes & quantities of panels. Any project details and calculations supplied by Architectural Panel Solutions are provided in good faith and should always be checked and approved by the project engineer responsible. Architectural Panel Solutions will not accept any liability should the system be designed / installed incorrectly.



'FP' - Fixed Point - Standard Static Calculations based on the fixed point located at the top of rail as shown.
N.B. Location of the 'FP' Bracket is not Critical and non-standard static calculations can be requested.

Key:-

FP = Fixed Point Bracket 'X' = Ref. Calcs For Max. Spans
SP = Sliding Point Bracket 'Y' = Ref. Calcs For Max. Cantilever

Rev.	1 / 1	
------	-------	--



ARCHITECTURAL PANEL SOLUTIONS LIMITED
Unit 5, Wainwright Close, Churchfields Industrial Estate,
St Leonards-on-Sea, TN38 0LP
T: 01424 852641 F: 01424 852797
claddings@architecturalpanelsolutions.com
www.architecturalpanelsolutions.com

Drawing Title:

**DCS031 - DOWNER HELPING HAND ® Brackets -
Typical Example Set-Out and Fix Details - Side Elevation**

Drawing Ref:

DCS031-10

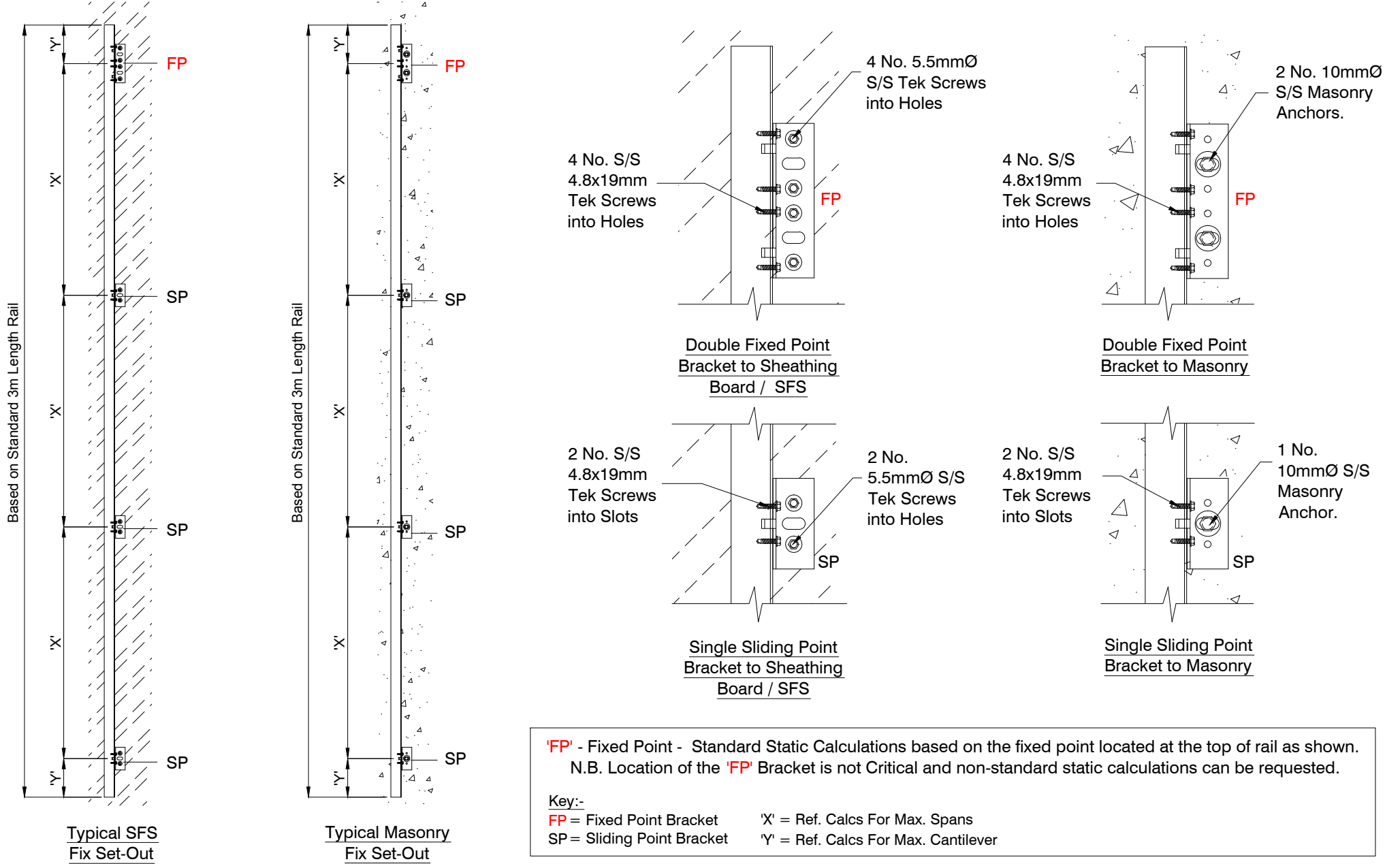
Scale: NTS @ A4

System: DCS031

Date: March-21

Drawn: J.B

These drawings are indicative only, for use as a guide. The customer is always responsible for any specific design, structural calculations and calculating exact sizes of rails, sizes & quantities of panels. Any project details and calculations supplied by Architectural Panel Solutions are provided in good faith and should always be checked and approved by the project engineer responsible. Architectural Panel Solutions will not accept any liability should the system be designed / installed incorrectly.



'FP' - Fixed Point - Standard Static Calculations based on the fixed point located at the top of rail as shown.
 N.B. Location of the 'FP' Bracket is not Critical and non-standard static calculations can be requested.

Rev.	/ /	
------	-----	--



ARCHITECTURAL PANEL SOLUTIONS LIMITED
 Unit 5, Wainwright Close, Churchfields Industrial Estate,
 St Leonards-on-Sea, TN38 0LP
 T: 01424 852641 F: 01424 852797
 claddings@architecturalpanelsolutions.com
 www.architecturalpanelsolutions.com

Drawing Title:	DCS031 - DOWNER HELPING HAND ® Brackets - Typical Example Set-Out and Fix Details - Front Elevation								
Drawing Ref:	DCS031-11	Scale:	NTS @ A4	System:	DCS031	Date:	March-21	Drawn:	J.B