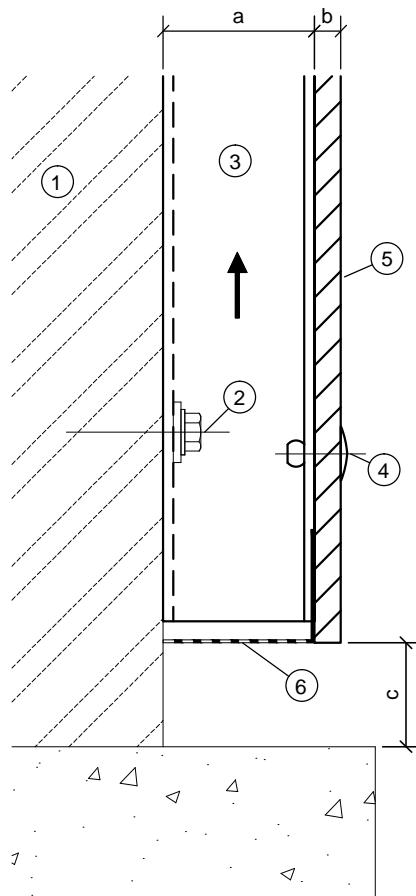


These drawings are indicative only, for use as a guide. The customer is always responsible for any specific design, structural calculations and calculating exact sizes of rails, sizes & quantities of panels. Any project details and calculations supplied by Architectural Panel Solutions are provided in good faith and should always be checked and approved by the project engineer responsible. Architectural Panel Solutions will not accept any liability should the system be designed / installed incorrectly.



Items	
1	Substrate (By Others)
2	Primary fixing will vary subject to substrate composition*
3	DCS021 Vertical Rail
4	Colour Rivets to match panels *
5	Cladding panel
6	Ventilation Profile *
*Please refer to APS Downer Rainscreen Framing brochure	

Dimensions	
a	25-40mm Cavity *
b	Panel nominal thickness
c	Base distance - Please refer to panel manufacturer recommendation
* Note! dimension may vary due to the shimming requirement for plumbing and alignment of rails	

Rev.	/ /		
------	-----	--	--

Architectural
PANEL SOLUTIONS

ARCHITECTURAL PANEL SOLUTIONS LIMITED
Unit 5, Wainwright Close, Churchfields Industrial Estate,
St Leonards-on-Sea, TN38 0LP
T: 01424 852641 F: 01424 852797
claddings@architecturalpanelsolutions.com
www.architecturalpanelsolutions.com

Drawing Title:

**DCS021 - BASE DETAIL
DECORATIVE BOARDS - FACE FIX**

Drawing Ref:

DCS021-F01

Scale:

NTS
@ A4

System:

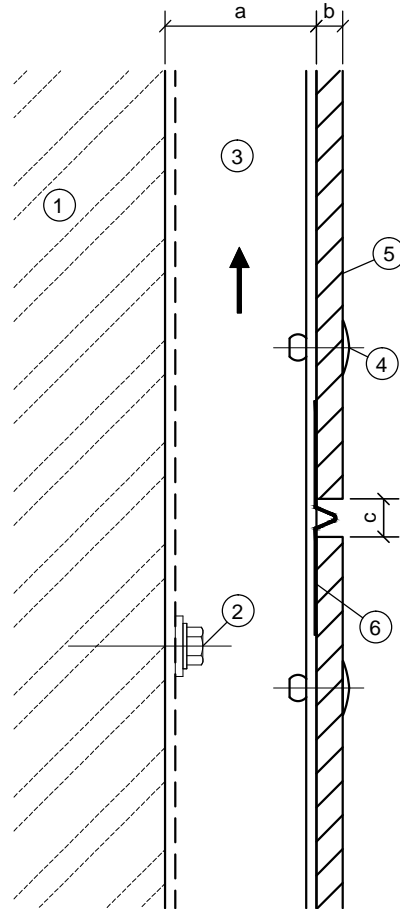
DCS021

Date:

March-21

Drawn: IS

These drawings are indicative only, for use as a guide. The customer is always responsible for any specific design, structural calculations and calculating exact sizes of rails, sizes & quantities of panels. Any project details and calculations supplied by Architectural Panel Solutions are provided in good faith and should always be checked and approved by the project engineer responsible. Architectural Panel Solutions will not accept any liability should the system be designed / installed incorrectly.



Items	
1	Substrate (By Others)
2	Primary fixing will vary subject to substrate composition*
3	DCS021 Vertical Rail
4	Colour Rivets to match panels *
5	Cladding panel
6	Birds Beak Profile (Optional) *
*Please refer to APS Downer Rainscreen Framing brochure	

Dimensions	
a	25-40mm Cavity *
b	Panel nominal thickness
c	Panel Joint - Please refer to board manufacturer.
* Note! dimension may vary due to the shimming requirement for plumbing and alignment of rails	

Rev.	/ /		
------	-----	--	--



ARCHITECTURAL PANEL SOLUTIONS LIMITED
 Unit 5, Wainwright Close, Churchfields Industrial Estate,
 St Leonards-on-Sea, TN38 0LP
 T: 01424 852641 F: 01424 852797
 claddings@architecturalpanelsolutions.com
 www.architecturalpanelsolutions.com

Drawing Title:

**DCS021 - HORIZONTAL PANEL JOINT DETAIL
 DECORATIVE BOARDS - FACE FIX**

Drawing Ref:

DCS021-F02

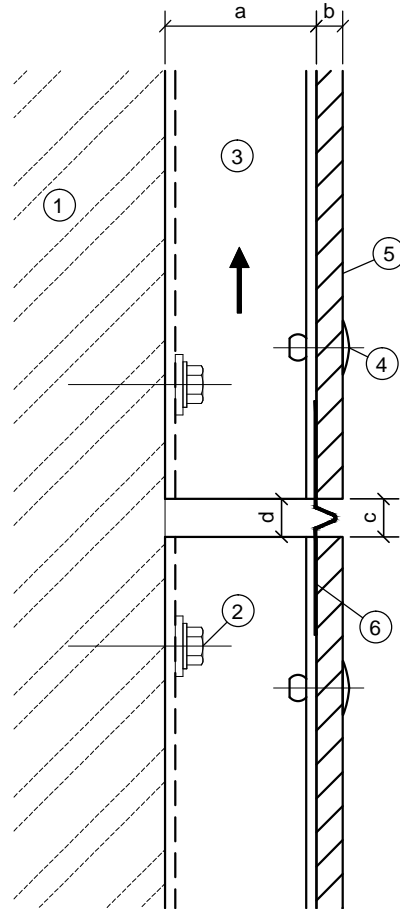
Scale: NTS
 @ A4

System: DCS021

Date: March-21

Drawn: IS

These drawings are indicative only, for use as a guide. The customer is always responsible for any specific design, structural calculations and calculating exact sizes of rails, sizes & quantities of panels. Any project details and calculations supplied by Architectural Panel Solutions are provided in good faith and should always be checked and approved by the project engineer responsible. Architectural Panel Solutions will not accept any liability should the system be designed / installed incorrectly.



Items	
1	Substrate (By Others)
2	Primary fixing will vary subject to substrate composition*
3	DCS021 Vertical Rail
4	Colour Rivets to match panels *
5	Cladding panel
6	Birds Beak Profile (Optional) *
*Please refer to APS Downer Rainscreen Framing brochure	

Dimensions	
a	25-40mm Cavity *
b	Panel nominal thickness
c	Panel Joint - Please refer to panel manufacturer.
d	Rail Joint - Minimum 10mm recommended
* Note! dimension may vary due to the shimming requirement for plumbing and alignment of rails	

Rev.	/ /		
------	-----	--	--



ARCHITECTURAL PANEL SOLUTIONS LIMITED
 Unit 5, Wainwright Close, Churchfields Industrial Estate,
 St Leonards-on-Sea, TN38 0LP
 T: 01424 852641 F: 01424 852797
 claddings@architecturalpanelsolutions.com
 www.architecturalpanelsolutions.com

Drawing Title:

DCS021 - HORIZONTAL PANEL AND RAIL JOINT DETAIL
 DECORATIVE BOARDS - FACE FIX

Drawing Ref:

DCS021-F03

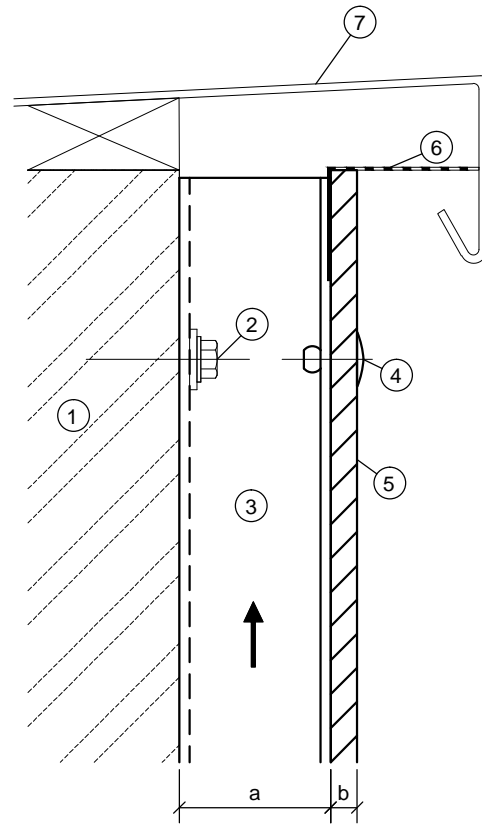
Scale: NTS
 @ A4

System: DCS021

Date: March-21

Drawn: IS

These drawings are indicative only, for use as a guide. The customer is always responsible for any specific design, structural calculations and calculating exact sizes of rails, sizes & quantities of panels. Any project details and calculations supplied by Architectural Panel Solutions are provided in good faith and should always be checked and approved by the project engineer responsible. Architectural Panel Solutions will not accept any liability should the system be designed / installed incorrectly.



Items	
1	Substrate (By Others)
2	Primary fixing will vary subject to substrate composition*
3	DCS021 Vertical Rail
4	Colour Rivets to match panels *
5	Cladding panel
6	Ventilation Profile *
7	Parapet detail to project requirement (by others)

*Please refer to APS Downer Rainscreen Framing brochure

Dimensions	
a	25-40mm Cavity *
b	Panel nominal thickness

* Note! dimension may vary due to the shimming requirement for plumbing and alignment of rails

Rev.	//		
------	----	--	--



ARCHITECTURAL PANEL SOLUTIONS LIMITED
 Unit 5, Wainwright Close, Churchfields Industrial Estate,
 St Leonards-on-Sea, TN38 0LP
 T: 01424 852641 F: 01424 852797
 claddings@architecturalpanelsolutions.com
 www.architecturalpanelsolutions.com

Drawing Title:

**DCS021 - PARAPET DETAIL
 DECORATIVE BOARDS - FACE FIX**

Drawing Ref:

DCS021-F04

Scale:

NTS
 @ A4

System:

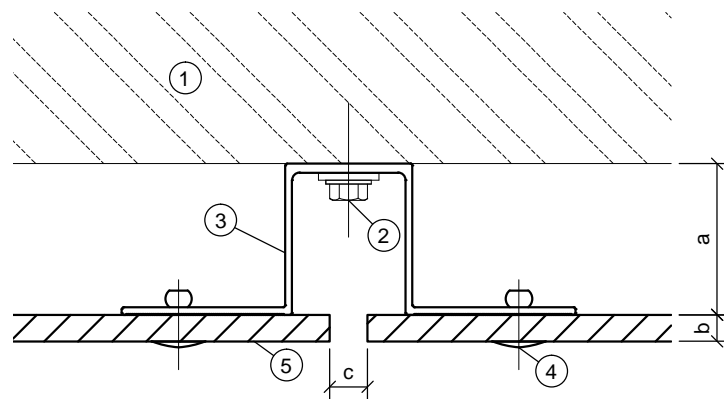
DCS021

Date:

March-21

Drawn: IS

These drawings are indicative only, for use as a guide. The customer is always responsible for any specific design, structural calculations and calculating exact sizes of rails, sizes & quantities of panels. Any project details and calculations supplied by Architectural Panel Solutions are provided in good faith and should always be checked and approved by the project engineer responsible. Architectural Panel Solutions will not accept any liability should the system be designed / installed incorrectly.



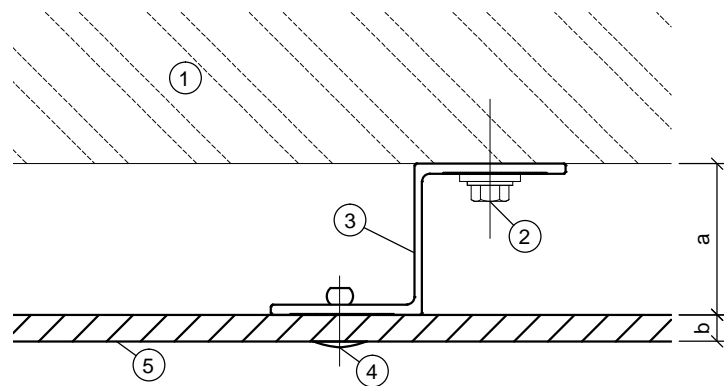
Items	
1	Substrate (By Others)
2	Primary fixing will vary subject to substrate composition*
3	DCS021 Omega Rail
4	Colour Rivets to match panels *
5	Cladding panel

*Please refer to APS Downer Rainscreen Framing brochure

Dimensions	
a	25-40mm Cavity *
b	Panel nominal thickness
c	Panel Joint - Please refer to panel manufacturer.

* Note! dimension may vary due to the shimming requirement for plumbing and alignment of rails

These drawings are indicative only, for use as a guide. The customer is always responsible for any specific design, structural calculations and calculating exact sizes of rails, sizes & quantities of panels. Any project details and calculations supplied by Architectural Panel Solutions are provided in good faith and should always be checked and approved by the project engineer responsible. Architectural Panel Solutions will not accept any liability should the system be designed / installed incorrectly.



Items	
1	Substrate (By Others)
2	Primary fixing will vary subject to substrate composition*
3	DCS021 Zed Rail
4	Colour Rivets to match panels *
5	Cladding panel

*Please refer to APS Downer Rainscreen Framing brochure

Dimensions	
a	25-40mm Cavity *
b	Panel nominal thickness

* Note! dimension may vary due to the shimming requirement for plumbing and alignment of rails

Architectural
PANEL SOLUTIONS

ARCHITECTURAL PANEL SOLUTIONS LIMITED
Unit 5, Wainwright Close, Churchfields Industrial Estate,
St Leonards-on-Sea, TN38 0LP
T: 01424 852641 F: 01424 852797
claddings@architecturalpanelsolutions.com
www.architecturalpanelsolutions.com

Drawing Title:

DCS021 - INTERMEDIATE SUPPORT DETAIL
DECORATIVE BOARDS - FACE FIX

Drawing Ref:

DCS021-F06

Scale: NTS
@ A4

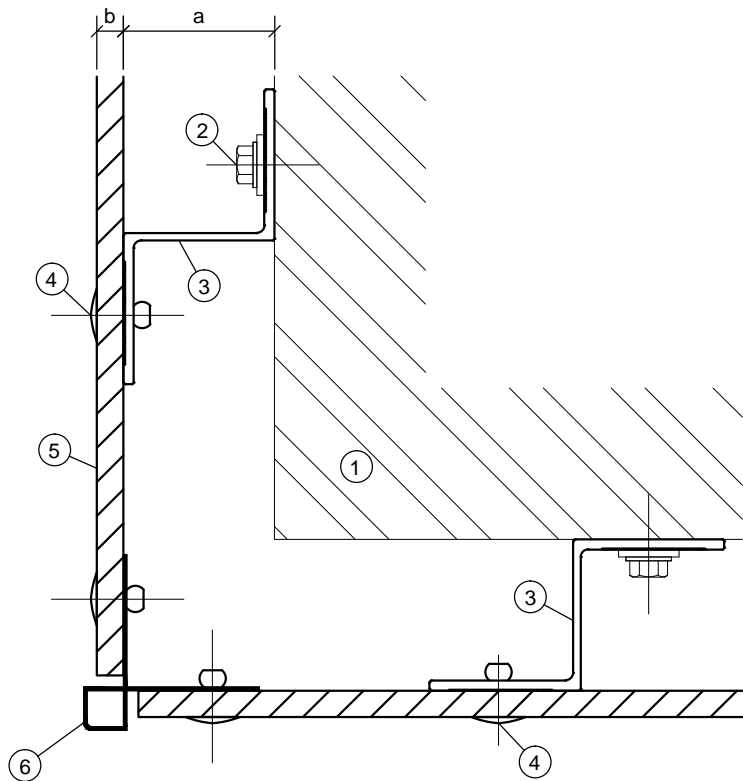
System: DCS021

Date: March-21

Drawn: IS

Rev. //

These drawings are indicative only, for use as a guide. The customer is always responsible for any specific design, structural calculations and calculating exact sizes of rails, sizes & quantities of panels. Any project details and calculations supplied by Architectural Panel Solutions are provided in good faith and should always be checked and approved by the project engineer responsible. Architectural Panel Solutions will not accept any liability should the system be designed / installed incorrectly.



Items	
1	Substrate (By Others)
2	Primary fixing will vary subject to substrate composition*
3	DCS021 Zed Rail
4	Colour Rivets to match panels *
5	Cladding panel
6	External Corner Profile *
*Please refer to APS Downer Rainscreen Framing brochure	

Dimensions	
a	25-40mm Cavity *
b	Panel nominal thickness
* Note! dimension may vary due to the shimming requirement for plumbing and alignment of rails	

Architectural
PANEL SOLUTIONS

ARCHITECTURAL PANEL SOLUTIONS LIMITED
Unit 5, Wainwright Close, Churchfields Industrial Estate,
St Leonards-on-Sea, TN38 0LP
T: 01424 852641 F: 01424 852797
claddings@architecturalpanelsolutions.com
www.architecturalpanelsolutions.com

Drawing Title:

DCS021 - EXTERNAL CORNER DETAIL
DECORATIVE BOARDS - FACE FIX

Drawing Ref:

DCS021-F07

Scale: NTS
@ A4

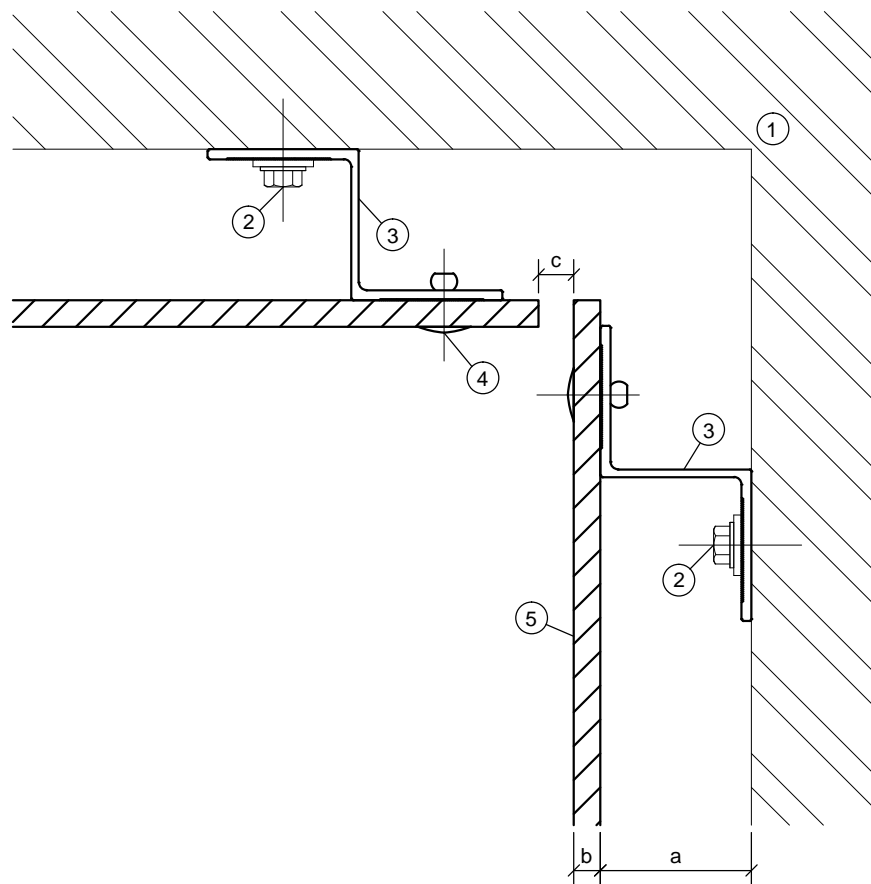
System: DCS021

Date: March-21

Drawn: IS

Rev.	/ /		
------	-----	--	--

These drawings are indicative only, for use as a guide. The customer is always responsible for any specific design, structural calculations and calculating exact sizes of rails, sizes & quantities of panels. Any project details and calculations supplied by Architectural Panel Solutions are provided in good faith and should always be checked and approved by the project engineer responsible. Architectural Panel Solutions will not accept any liability should the system be designed / installed incorrectly.



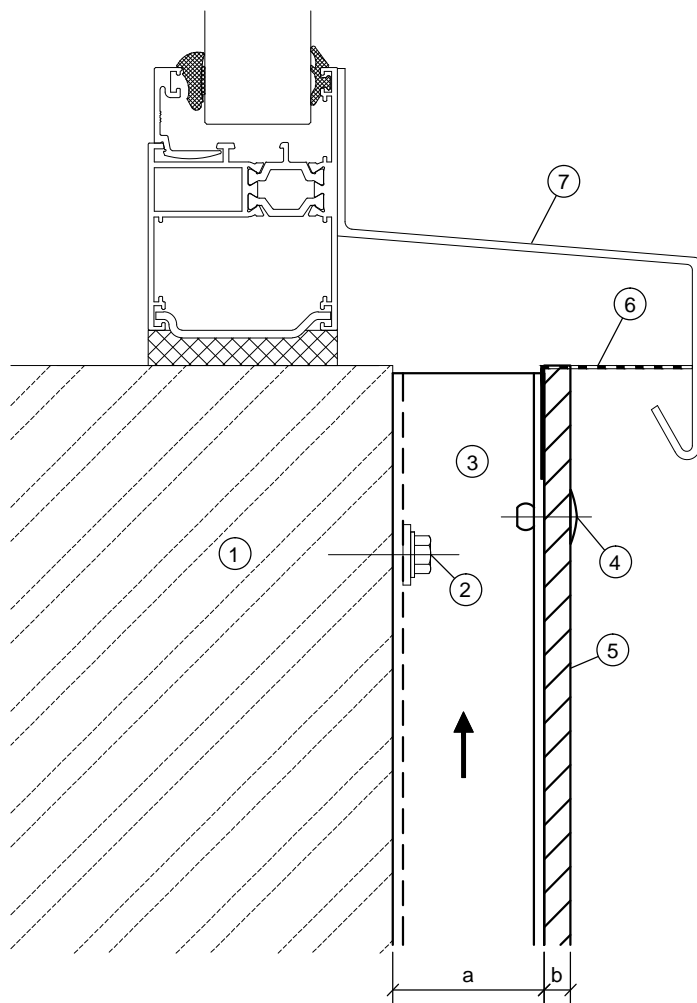
Items	
1	Substrate (By Others)
2	Primary fixing will vary subject to substrate composition*
3	DCS021 Zed Rail
4	Colour Rivets to match panels *
5	Cladding panel

*Please refer to APS Downer Rainscreen Framing brochure

Dimensions	
a	25-40mm Cavity *
b	Panel nominal thickness
c	Panel Joint - Please refer to panel manufacturer.

* Note! dimension may vary due to the shimming requirement for plumbing and alignment of rails

These drawings are indicative only, for use as a guide. The customer is always responsible for any specific design, structural calculations and calculating exact sizes of rails, sizes & quantities of panels. Any project details and calculations supplied by Architectural Panel Solutions are provided in good faith and should always be checked and approved by the project engineer responsible. Architectural Panel Solutions will not accept any liability should the system be designed / installed incorrectly.



Items	
1	Substrate (By Others)
2	Primary fixing will vary subject to substrate composition*
3	DCS021 Vertical Rail
4	Colour Rivets to match panels *
5	Cladding panel
6	Ventilation Profile *
7	Window detail to project requirement (by others)

*Please refer to APS Downer Rainscreen Framing brochure

Dimensions	
a	25-40mm Cavity *
b	Panel nominal thickness

* Note! dimension may vary due to the shimming requirement for plumbing and alignment of rails

Rev.	//		
------	----	--	--

Architectural
PANEL SOLUTIONS

ARCHITECTURAL PANEL SOLUTIONS LIMITED
Unit 5, Wainwright Close, Churchfields Industrial Estate,
St Leonards-on-Sea, TN38 0LP
T: 01424 852641 F: 01424 852797
claddings@architecturalpanelsolutions.com
www.architecturalpanelsolutions.com

Drawing Title:

**DCS021 - WINDOW CILL DETAIL
DECORATIVE BOARDS - FACE FIX**

Drawing Ref:

DCS021-F09

Scale:

NTS
@ A4

System:

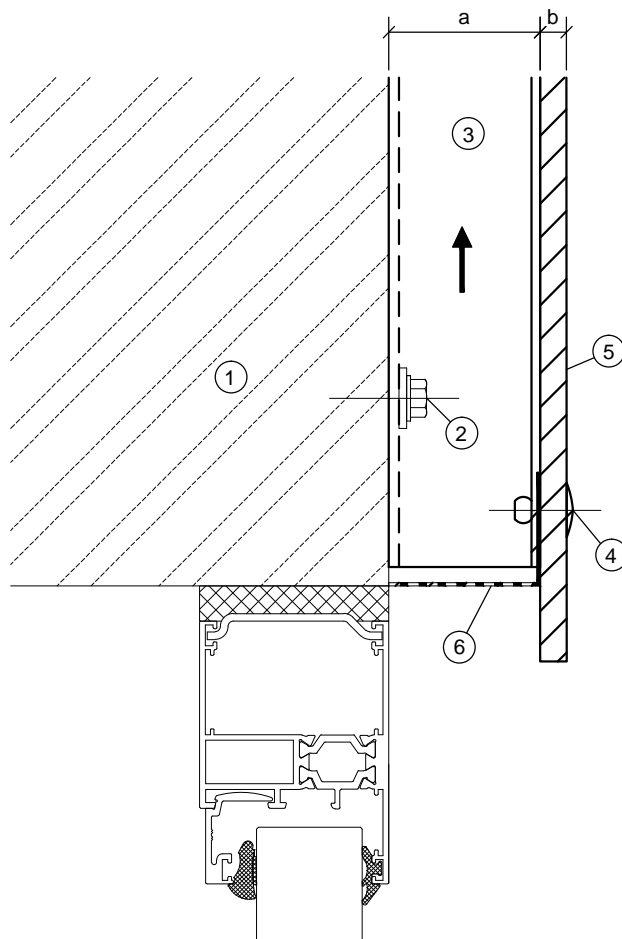
DCS021

Date:

March-21

Drawn: IS

These drawings are indicative only, for use as a guide. The customer is always responsible for any specific design, structural calculations and calculating exact sizes of rails, sizes & quantities of panels. Any project details and calculations supplied by Architectural Panel Solutions are provided in good faith and should always be checked and approved by the project engineer responsible. Architectural Panel Solutions will not accept any liability should the system be designed / installed incorrectly.



Items	
1	Substrate (By Others)
2	Primary fixing will vary subject to substrate composition*
3	DCS021 Vertical Rail
4	Colour Rivets to match panels *
5	Cladding panel
6	Ventilation Profile *
*Please refer to APS Downer Rainscreen Framing brochure	

Dimensions	
a	25-40mm Cavity *
b	Panel nominal thickness
* Note! dimension may vary due to the shimming requirement for plumbing and alignment of rails	

Architectural
PANEL SOLUTIONS

ARCHITECTURAL PANEL SOLUTIONS LIMITED
Unit 5, Wainwright Close, Churchfields Industrial Estate,
St Leonards-on-Sea, TN38 0LP
T: 01424 852641 F: 01424 852797
claddings@architecturalpanelsolutions.com
www.architecturalpanelsolutions.com

Drawing Title:

DCS021 - WINDOW HEAD DETAIL
DECORATIVE BOARDS - FACE FIX

Drawing Ref:

DCS021-F10

Scale:

NTS
@ A4

System:

DCS021

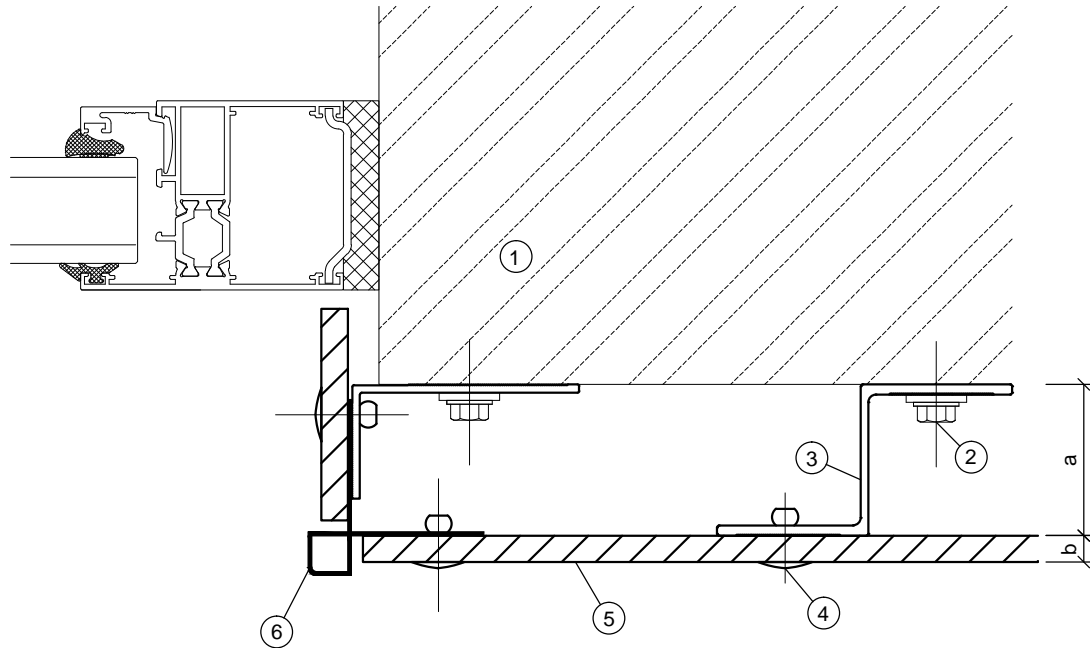
Date:

March-21

Drawn: IS

Rev.	/ /		
------	-----	--	--

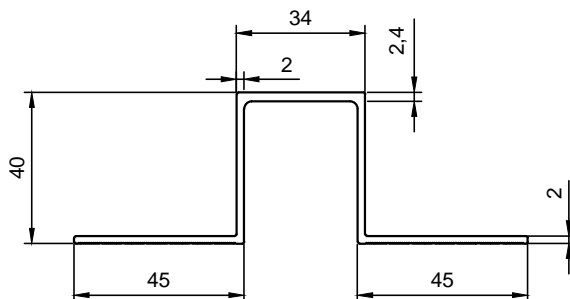
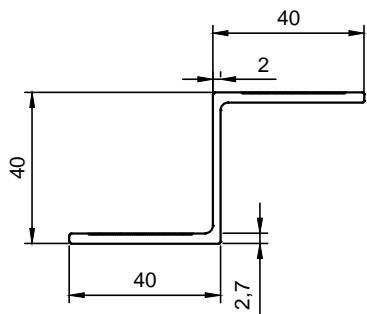
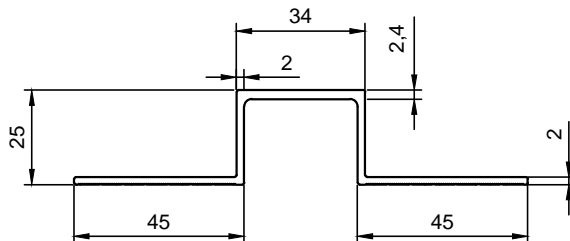
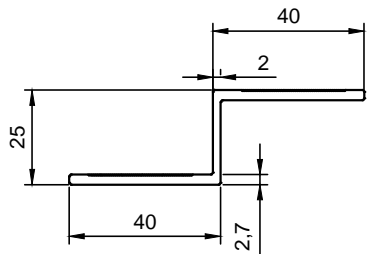
These drawings are indicative only, for use as a guide. The customer is always responsible for any specific design, structural calculations and calculating exact sizes of rails, sizes & quantities of panels. Any project details and calculations supplied by Architectural Panel Solutions are provided in good faith and should always be checked and approved by the project engineer responsible. Architectural Panel Solutions will not accept any liability should the system be designed / installed incorrectly.



Items	
1	Substrate (By Others)
2	Primary fixing will vary subject to substrate composition*
3	DCS021 Zed Rail
4	Colour Rivets to match panels *
5	Cladding panel
6	External Corner Profile *
*Please refer to APS Downer Rainscreen Framing brochure	

Dimensions	
a	25-40mm Cavity *
b	Panel nominal thickness
* Note! dimension may vary due to the shimming requirement for plumbing and alignment of rails	

These drawings are indicative only, for use as a guide. The customer is always responsible for any specific design, structural calculations and calculating exact sizes of rails, sizes & quantities of panels. Any project details and calculations supplied by Architectural Panel Solutions are provided in good faith and should always be checked and approved by the project engineer responsible. Architectural Panel Solutions will not accept any liability should the system be designed / installed incorrectly.



DCS021 CARRIER RAILS - EXTRUDED
ALLOY GRADE: 6005 T6

REF	DESCRIPTION	LENGTH
ZED25-3	Zed Carrier Rail	3000
ZED25-6	Zed Carrier Rail	6000
OM25-3	Omega Carrier Rail	3000
OM25-6	Omega Carrier Rail	6000
ZED40-3	Zed Carrier Rail	3000
ZED40-6	Zed Carrier Rail	6000
OM40-3	Omega Carrier Rail	3000
OM40-6	Omega Carrier Rail	6000

Rev.	/ /		
------	-----	--	--



ARCHITECTURAL PANEL SOLUTIONS LIMITED
 Unit 5, Wainwright Close, Churchfields Industrial Estate,
 St Leonards-on-Sea, TN38 0LP
 T: 01424 852641 F: 01424 852797
 claddings@architecturalpanelsolutions.com
 www.architecturalpanelsolutions.com

Drawing Title:

DCS021 - RAILS

Drawing Ref:

DCS021-RAILS

Scale:

NTS
@ A4

System:

DCS021

Date:

March-21

Drawn: IS